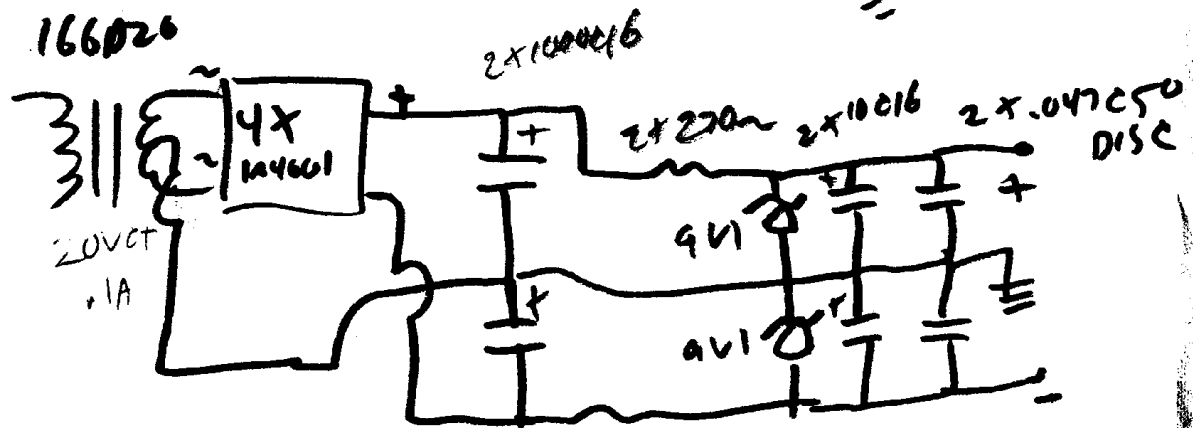
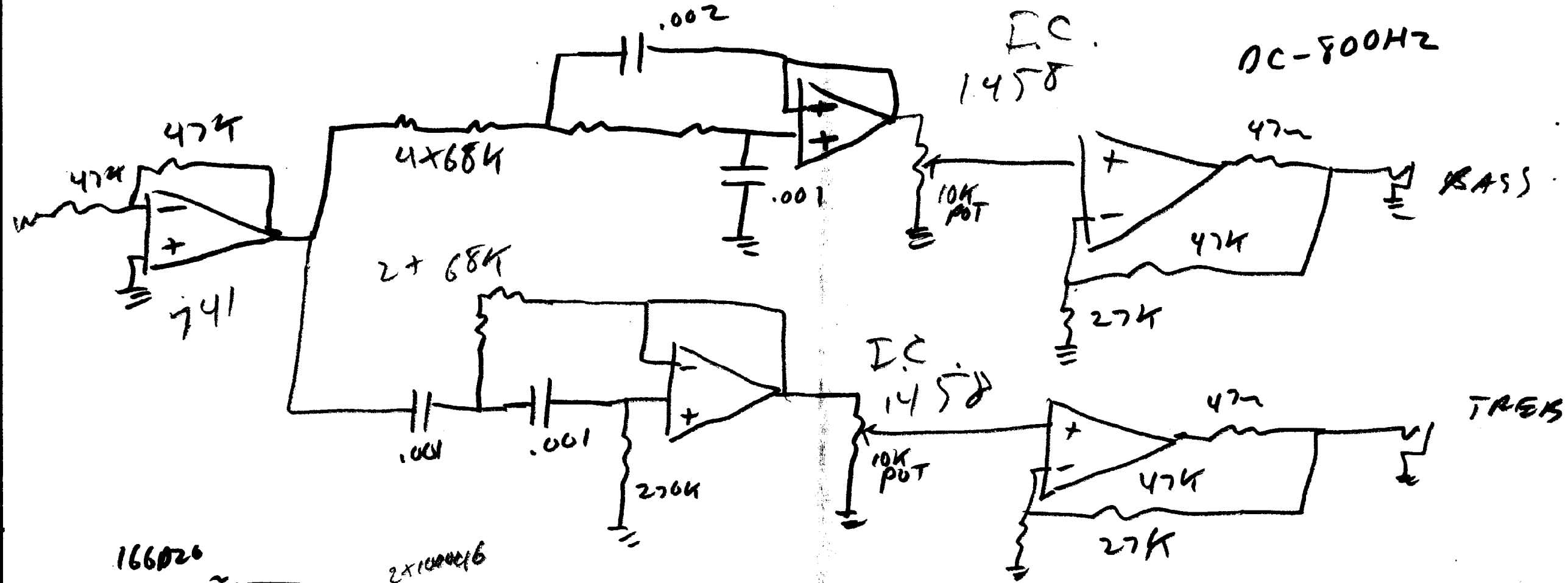


# ECO-3 FILTERED FREQ - 800HZ

AV = 2.77



- 1458 = 130.
- 741 = 2.00.
- 2 POT S = 1.00
- 1458 = 1.90
- 741 = .45.
- 47k = 3.25
- 100001 = 130.
- 100016 = .64
- 10016 = 130.
- 1016 = .18
- 9V1 = 1.25
- 2702/4 = .06.
- 10.82 + PCB (2.00)
- DNE = 3 leads 1.00.
- 01 = 8.00
- 1.00
- 1.20
- 1.25
- 1.00
- 1.80
- 12.82.
- 1.50