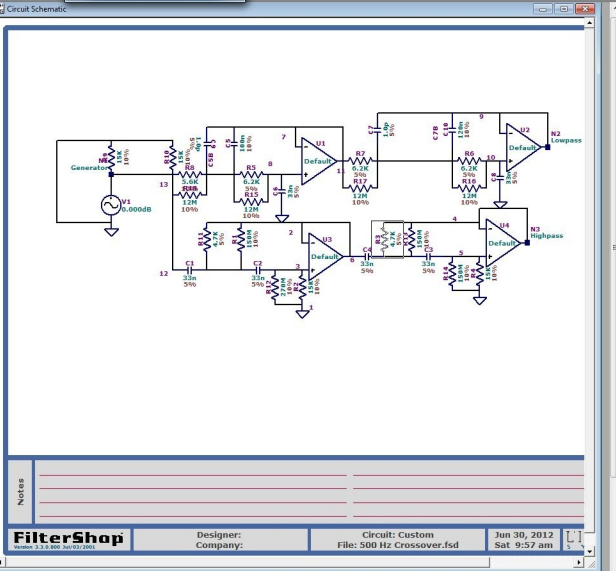
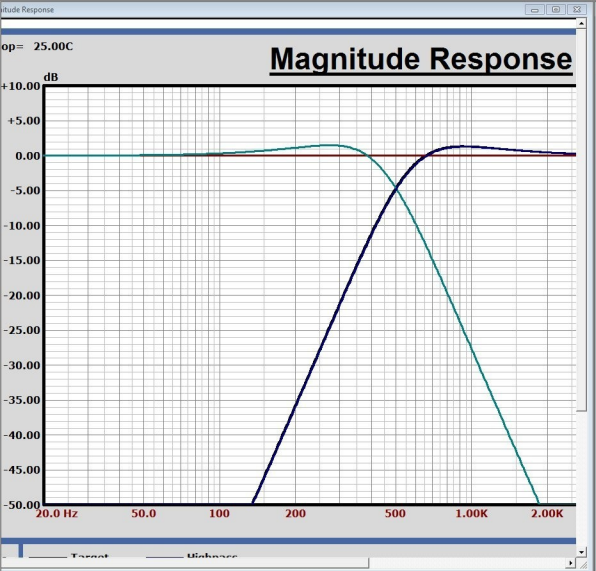
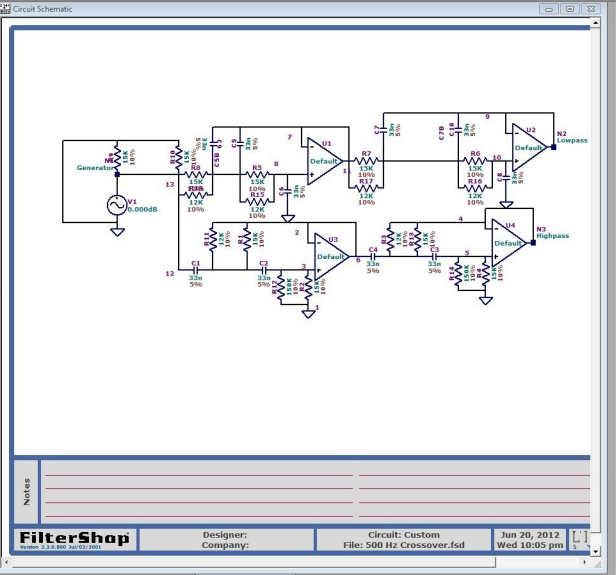
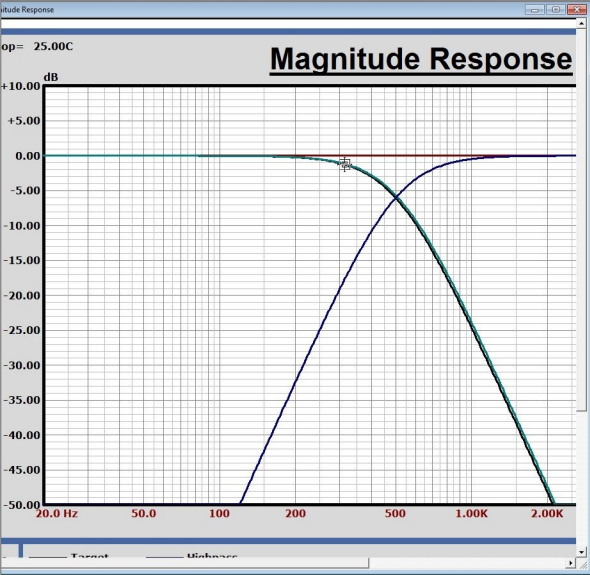
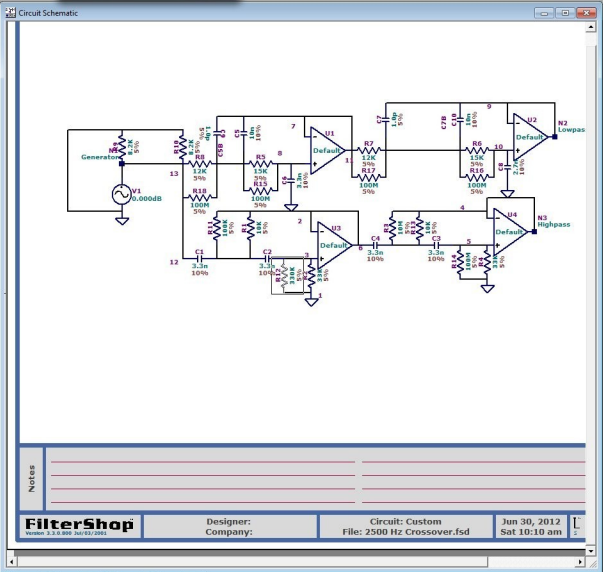
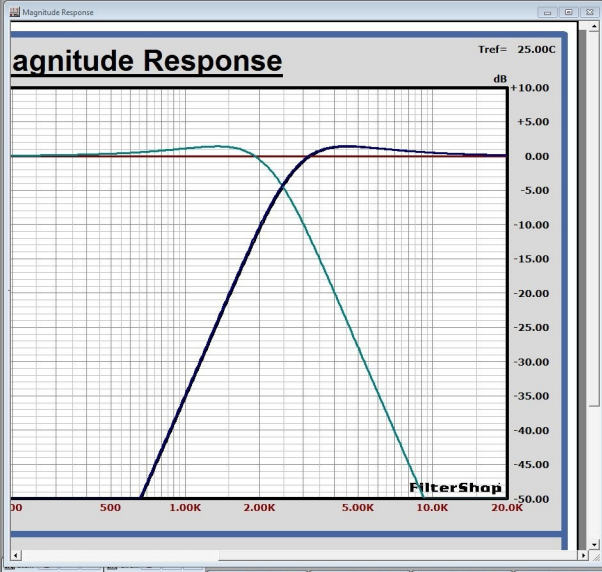


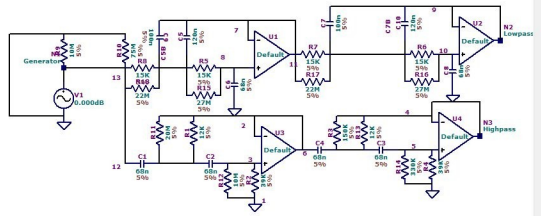
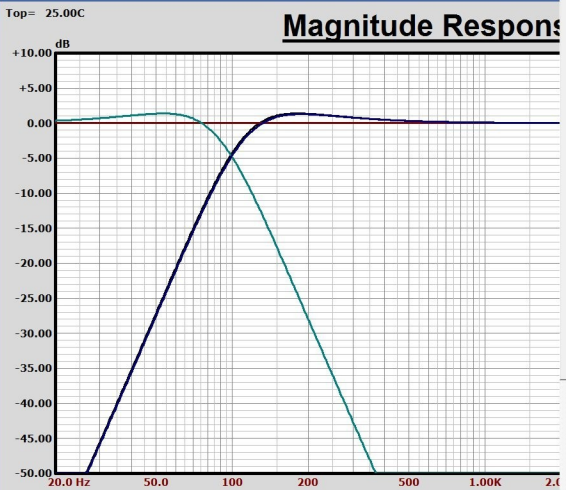
ToolBox

Operations | Comp Page 1 | Comp Page 2









Notes

**FilterShop**  
Version 3.2.0.800 July 07, 2005

Designer:  
Company:

Circuit: Custom  
File: 100 Hz Crossover.fsd

Jun 30, 2012  
Sat 9:15 am