

electroniccircuits.com is the free Encyclopedia of Electronic Circuits. It contains diagrams, electronics circuit design, software, tutorials, datasheets, pic projects and more...

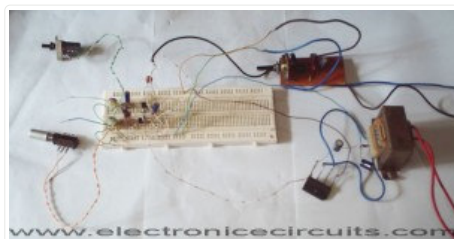
# Electronic Circuits

[Home](#) [Diagrams](#) [Software](#) [Contact](#)

« [L200 12V Constant Voltage Battery Charger Circuit](#)

[555 Timer Design Calculator Software](#) »

## FET Audio Mixer and Switch Circuit Diagram



### [Make Prototypes In-House](#) [www.lpkfusa.com](http://www.lpkfusa.com)

Prototyping equipment from LPKF Circuit Board Plotter, Plating, etc

### [Couplers](#) [Opto.Toshiba.com](http://Opto.Toshiba.com)

TLP117 - 5V 50Mbps IC coupler TLP2066 - 3.3V 20Mbps IC coupler

### [CEL/Renesas Optocouplers](#) [www.cel.com](http://www.cel.com)

Quality and Reliability Formerly NEC Electronics

### [Dwyer® Level Switches](#) [www.dwyer-inst.com](http://www.dwyer-inst.com)

Full Range of Level Sensors for all applications

Ads by Google

## FET Audio Mixing and Switching Circuit Diagram

Two or more signals can be switched and /or mixed without annoying clicks by using this fet audio mixer and switch circuit.

Search

GO

324 listeners  
BY FEEDBURNER

Enter your email address:

Subscribe

### Electronic Circuits

Electronic Circuits

Like

140



5 retweet

[My Tweets](#)

1

Follow on Buzz

### META

#### Ads by Google

[Audio Circuit MP3](#)

[DIY Home Audio](#)

[Audio Video Switch](#)

[Audio Mixing Desk](#)

[Power Supply](#)

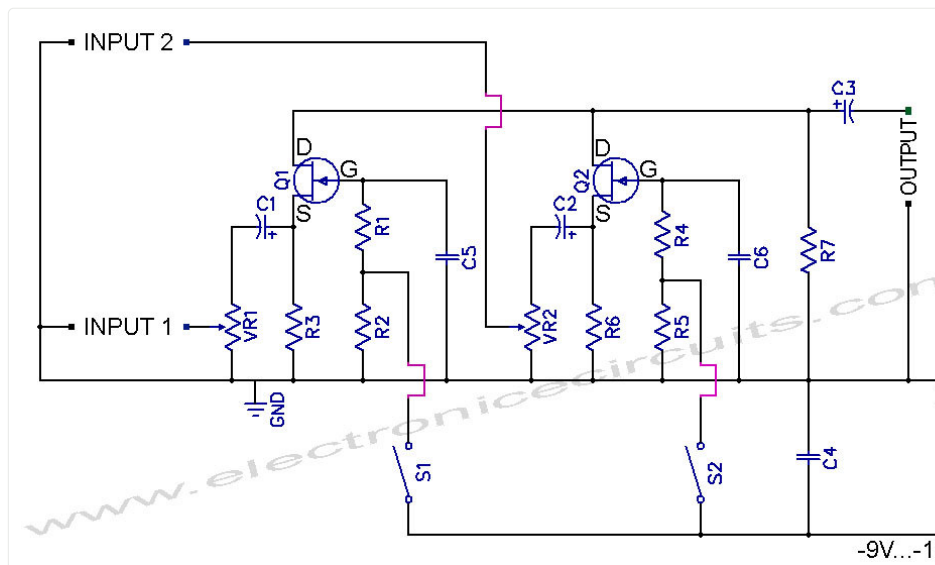
[Circuit Designer](#)

[Amplifiers](#)

[Battery Charger](#)

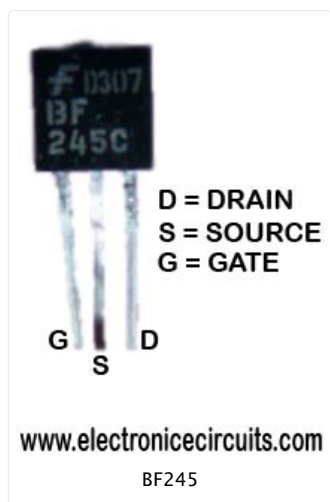
[RF Schematics](#)

[Measuring Circuits](#)



PARTS LIST	
R1	1M $\Omega$
R2	47k $\Omega$
R3	47k $\Omega$
R4	1M $\Omega$
R5	47k $\Omega$
R6	47k $\Omega$
R7	47k $\Omega$
VR1	50k $\Omega$
VR2	50k $\Omega$
C1, C2, C3	4.7 $\mu$ F 16V
C4	100nF (104)
C5	47nF (473)
C6	47nF (473)
Q1	BF245 or 2N3819
Q2	BF245 or 2N3819
S1, S2	Switch

Junction-FETs such as the BF245 or 2N3819 already popular in HF circuits but it can also applied to LF circuits.



You can mute these signals using S1 and S2. The circuit should mute sufficiently any audio from 20 Hz to 20 kHz.

Ads by Google

**Flexible Ckt Boards**  
Flexible Circuit Boards. Design, Quick Turn Prototypes & Production  
[www.allflexinc.com](http://www.allflexinc.com)

**Couplers**  
TLP117 - 5V 50Mbps IC coupler TLP2066 - 3.3V 20Mbps IC coupler  
[Opto.Toshiba.com](http://Opto.Toshiba.com)

**CEL/ Renesas Optocouplers**  
Quality and Reliability Formerly NEC Electronics  
[www.cel.com](http://www.cel.com)

**DWYER® Level Switches**  
Full Range of Level Sensors for all applications  
[www.dwyer-inst.com](http://www.dwyer-inst.com)

**Electronic Flow Switch**  
Liquids, Gases, and Slurries Reliable, Cost Effective & In Stock  
[www.ameritrol.com/](http://www.ameritrol.com/)

Ads by Google

**ROHM MOSFETS**  
Wide selection of MOSFETs for use in small to complex devices.  
[www.rohm.com](http://www.rohm.com)

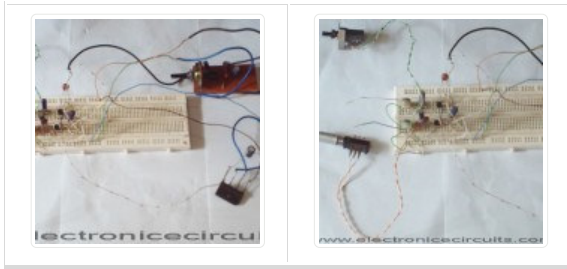
**Flex Circuits & Rigid Flex**  
Flex Circuits Design to Assembly Thinking Flex Think Lenthor  
[www.Lenthor.com](http://www.Lenthor.com)

**Good Price- Proto-Mid Q'ty**  
Proto PCB, Online Quote, Free E-test No Tooling, 100S.In 4L-\$200-6L-\$400  
[www.QuickturnPCB.co.kr](http://www.QuickturnPCB.co.kr)

**Bear Creek Studio**  
Legendary Recording Experience World Class with Competitive Rates  
[www.bearcreekstudio.com](http://www.bearcreekstudio.com)

**Speed Switches**  
Intelligent shaft speed or motion monitoring for rotating machinery  
[www.go4b.com](http://www.go4b.com)

ARCHIVES



[March 2011](#) (1)  
[February 2011](#) (2)  
[January 2011](#) (5)  
[December 2010](#) (5)  
[November 2010](#) (5)  
[October 2010](#) (5)  
[September 2010](#) (5)  
[August 2010](#) (5)  
[July 2010](#) (6)  
[June 2010](#) (5)  
[May 2010](#) (5)  
[April 2010](#) (6)  
[March 2010](#) (5)  
[February 2010](#) (4)  
[January 2010](#) (6)  
[December 2009](#) (8)  
[November 2009](#) (8)  
[October 2009](#) (10)  
[September 2009](#) (15)  
[August 2009](#) (17)  
[July 2009](#) (3)

118 [TOP OF BLOGS](#) 27 [Top Blog Area](#)

Ads by Google   [Circuit](#)   [Audio](#)   [Switching](#)   [FET](#)

Please send your ideas, which are very important for our success...

[Share / Save](#)

[Electronic Switch, PreAmplifier Circuits](#)

This entry was posted on Tuesday, October 5th, 2010 and is filed under [Electronic Circuits](#). You can follow any responses to this entry through [RSS 2.0](#). You can [leave a response](#), or [trackback](#) from your own site.

[COMMENTS \(1\)](#)   [TRACKBACKS \(0\)](#)



#1 by [physical therapist](#) on October 12th, 2010

this post is very usefull thx!

<input type="text"/>	<b>Name (required)</b>
<input type="text"/>	<b>E-Mail (required)</b> <i>(will not be published)</i>
<input type="text"/>	<b>Website</b>
<input type="text"/>	

You can add images to your comment by [clicking here](#).

[Submit Comment](#)

**archives, hobby designs, datasheets and many schematics.**

ElectronicCircuits Powered by Venura Electronics

[Entries \(RSS\)](#) and [Comments \(RSS\)](#) ^

[Privacy And Policy](#)