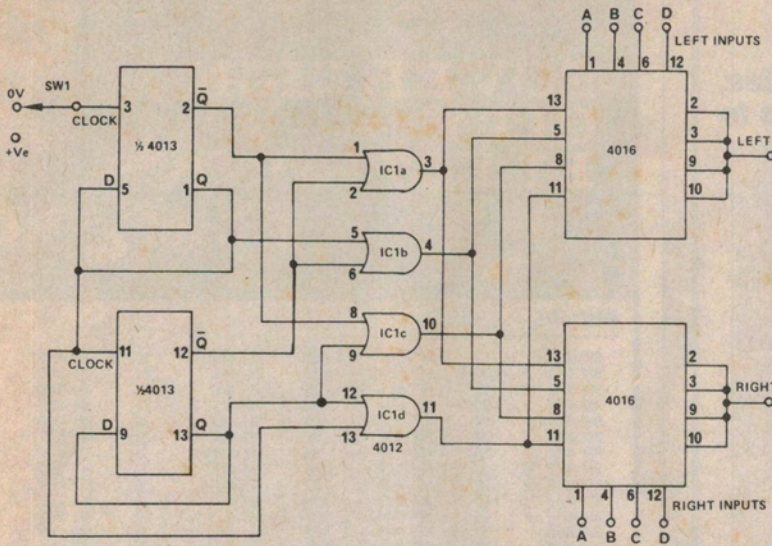


Ideas for experimenters



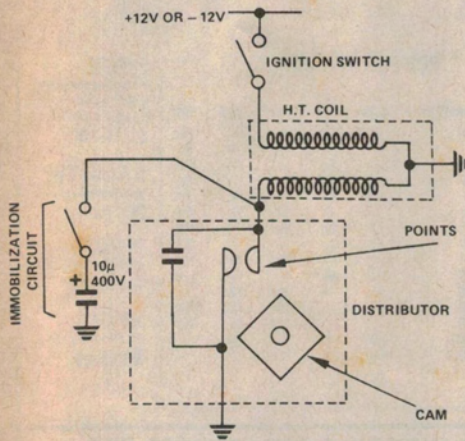
SINGLE POINT STEREO INPUT SELECTOR

Four different inputs can be switched through by the continual pressing of SW1.

IC1 is a dual 'D' type flip flop. The Q outputs are connected to the D inputs so that the clock inputs are divided by

two. The two flip flops are connected in series, giving a two-stage binary counter.

IC2 is a quad AND gate. This is used to decode the four states of the counter. The outputs are used to control the quad switches at IC3 and IC4 (4016AE).

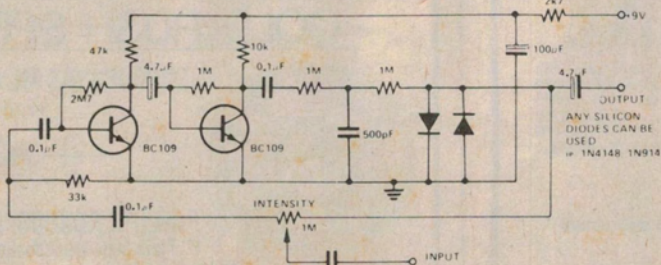


AUTOMOBILE IMMOBILISATION

In order to discourage theft of an automobile, many people incorporate a 'secret' switch to break the ignition circuit (usually in series with the key switch). This system is very easily bypassed using 'jumper' leads.

A more effective method of immobilisation is shown in Fig. 1, also using a 'secret' switch. A 10µF/400V capacitor is switched across the points preventing the ignition being started; at the same time this prevents the use of 'jumper' leads.

GUITAR FUZZ



The input signal is amplified by the two transistors. The distorted output is then clipped by the two diodes and the high frequency noise is filtered from the circuit via the 500pF capacitor. The 1M pot adjusts the intensity

of the fuzz, but this tends to make the unit oscillate, so a 33k resistor is put between the input and ground to stop this. When the pot is at minimum intensity the unit may be switched off to allow normal playing.

12" 3-WAY 75-litre 80 W
Handling TIMBER VENEERED
ENCLOSURE COMPLETE KIT

SPEAKERS

HI FI SPEAKERS & KITS
DIRECT FROM MANUFACTURER

\$139

PAIR

10" 3-Way 75-litre 70 Watts
HANDLING

\$109 PAIR

75-litre cabinets.....\$48 pr

50-litre cabinets.....\$40 pr

30-litre cabinets.....\$35 pr

**DISCO LIGHTING SYSTEMS
& CONSOLES P.A. BINS
AMP ETC MADE TO ORDER
YOUR DESIGN OR OURS PLEASE
WRITE FOR QUOTE**

*All orders forwarded by road
transport payable on delivery*

**ALL CHEQUES & MONEY ORDERS TO
AUDIO SPECTRUM**

audio spectrum

41 WHITEHORSE ROAD
DEEPDENE 3103
Ph (03) 80-1074 or
(03) 384 8821