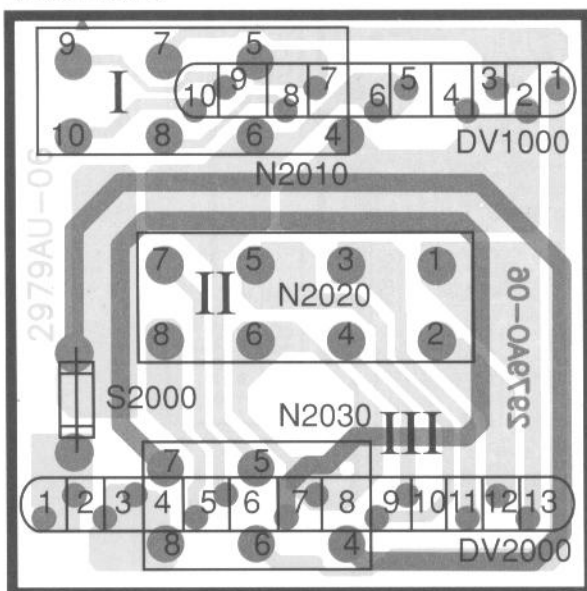


Schaltbild • Circuit diagramm • Schema du poste • Esquema del aparato

VKD 2 979



Anschluß-Platte
Connector-Board

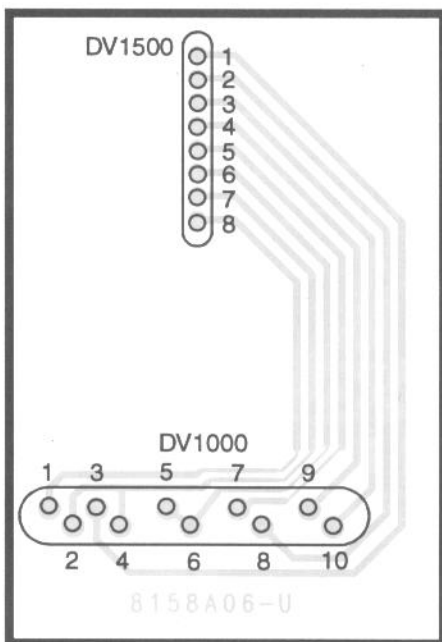
PL 74



DV2000	
1 = DAUERPLUS	
2 = DAUERPLUS	
3 = MASSE	
4 = MASSE	
5 = -LR	
6 = +LR	
7 = 12V-GESCH	
8 = -LF	
9 = +LF	
10 = -RF	
11 = +RF	
12 = -RR	
13 = +RR	

DV1000	
1 =	
2 = TEL.-MUTE	
3 = RF	
4 = TEL.-MUTE	
5 =	
6 =	
7 = Preamp-Out Masse	
8 = RR	
9 = LF	
10 = LR	

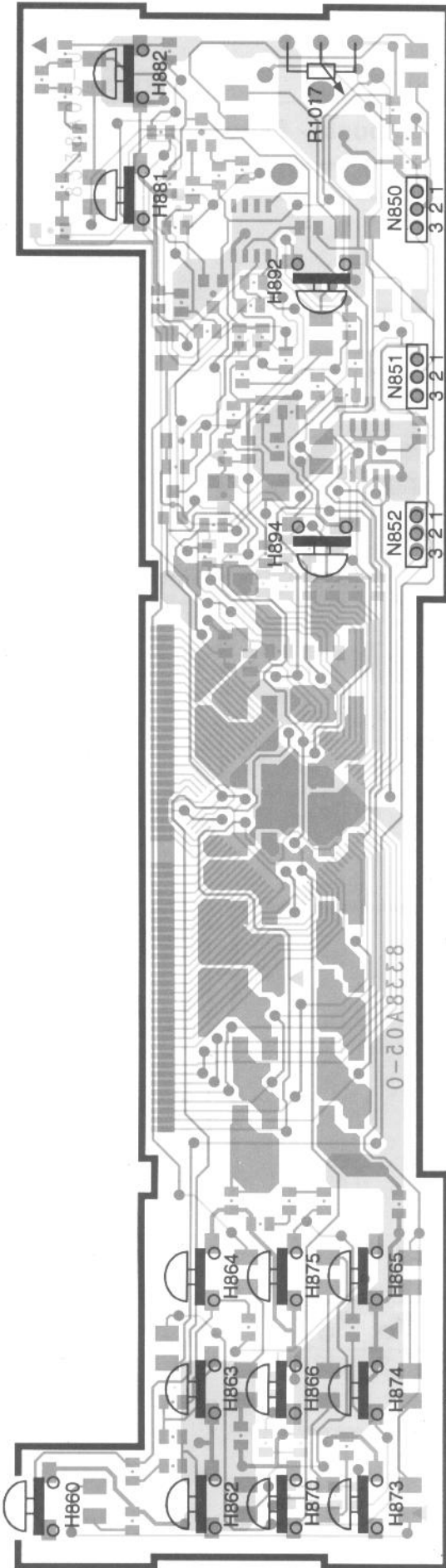
Anschlußplatte
PL 8158 A06



DV1500	
1 = RF	
2 = RR	
3 = LR	
4 = LF	
5 = MASSE	
6 =	
7 = TEL. - MUTE	
8 =	

DV1000	
1 =	
2 = TEL. - MUTE	
3 = RF	
4 = TEL. - MUTE	
5 =	
6 =	
7 = PREAMP-OUT-MASSE	
8 = RR	
9 = LF	
10 = LR	

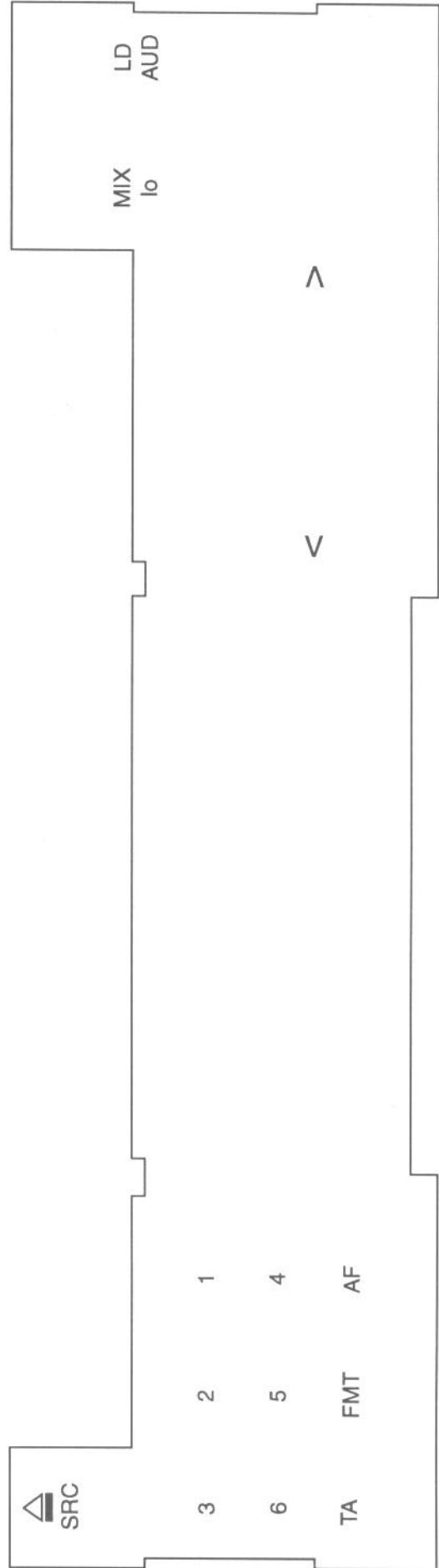
Schalterplatte
PL 8338 A05



N850	
1	= U141
2	= MASSE
3	= U54

N851	
1	= RESET
2	=
3	=

N852	
1	= ON/OFF
2	= DATA
3	= CLOCK



▲ SRC

1

2

3

4

5

6

AF

FMT

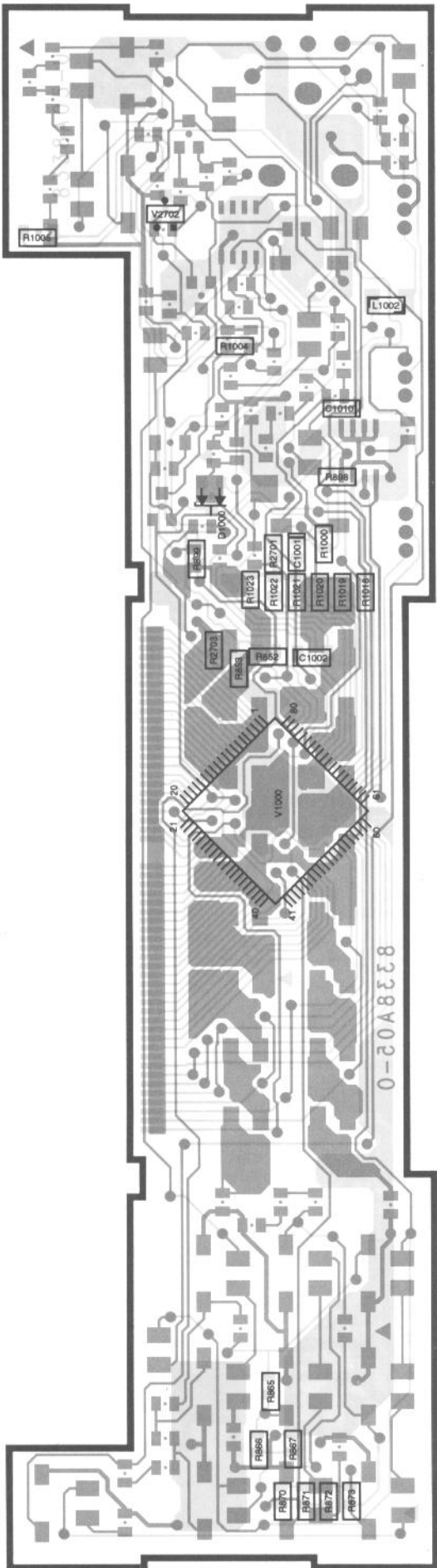
TA

LD
AUD
MIX
lo

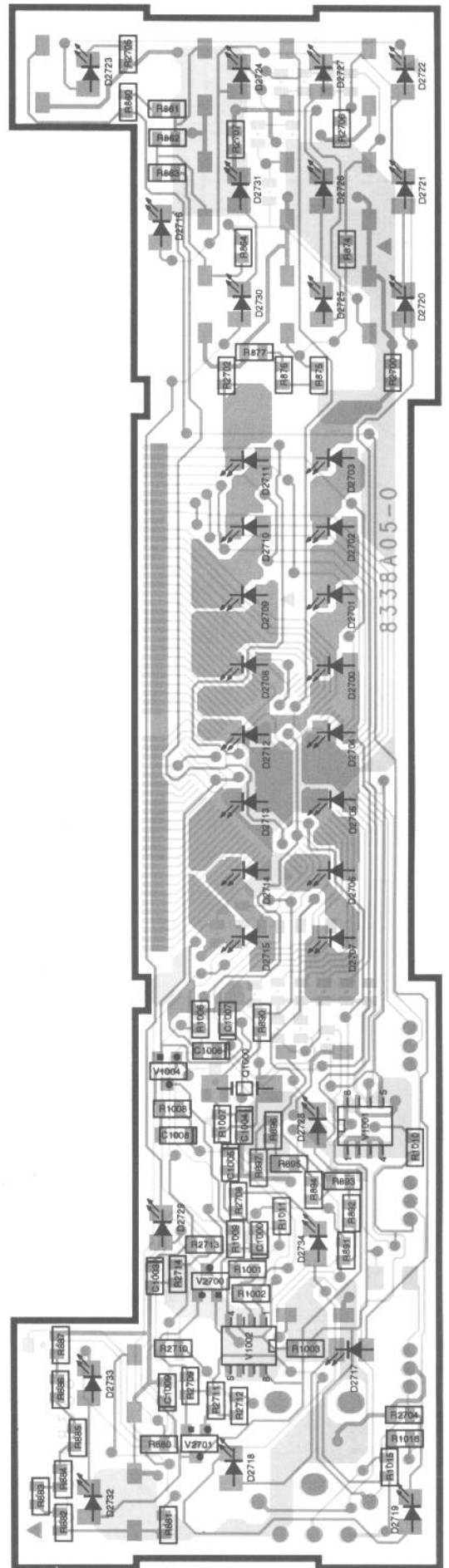
^

v

Schalterplatte
PL 8338 A05
Chip



Schalterplatte
PL 8338 A05
Chip



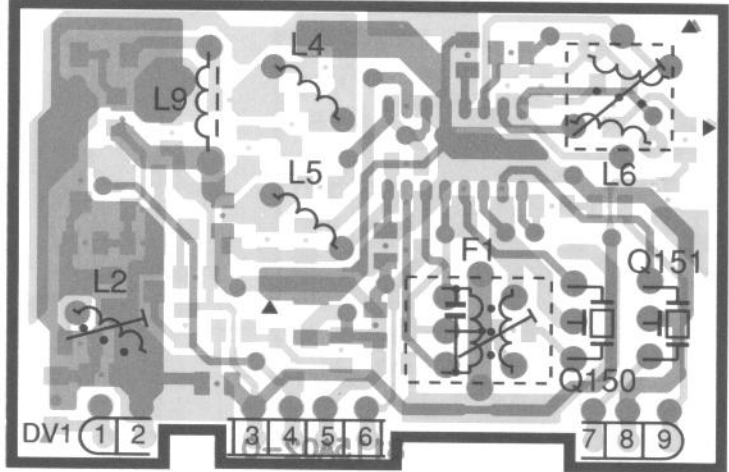
VKD 8 115

FM-Platte

PL 06



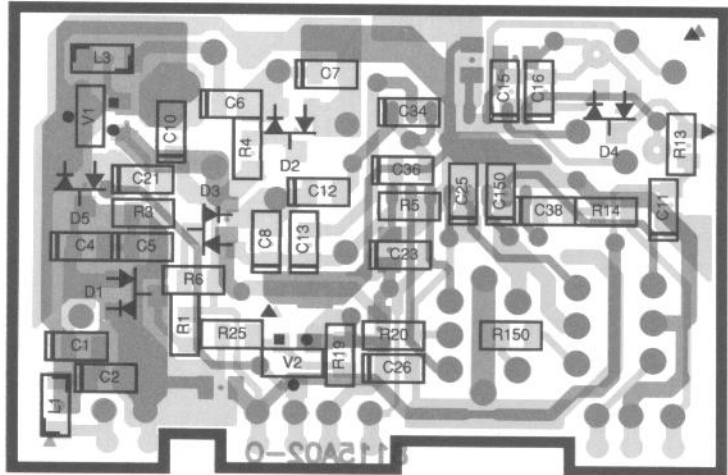
DV1	
1=	HF-AM
2=	MASSE
3=	U-FM
4=	
5=	U81
6=	MULTIPATH
7=	ZF
8=	MASSE
9=	FM-OSZ



VKD 8 115

FM-Platte

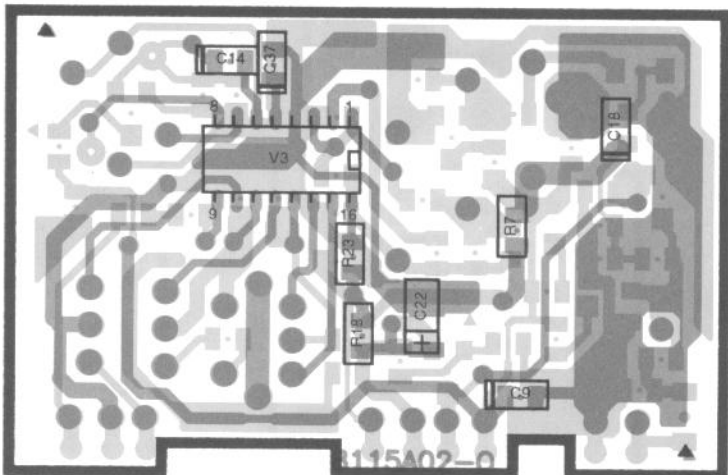
PL 06
Chip



VKD 8 115

FM-Platte

PL 06
Chip

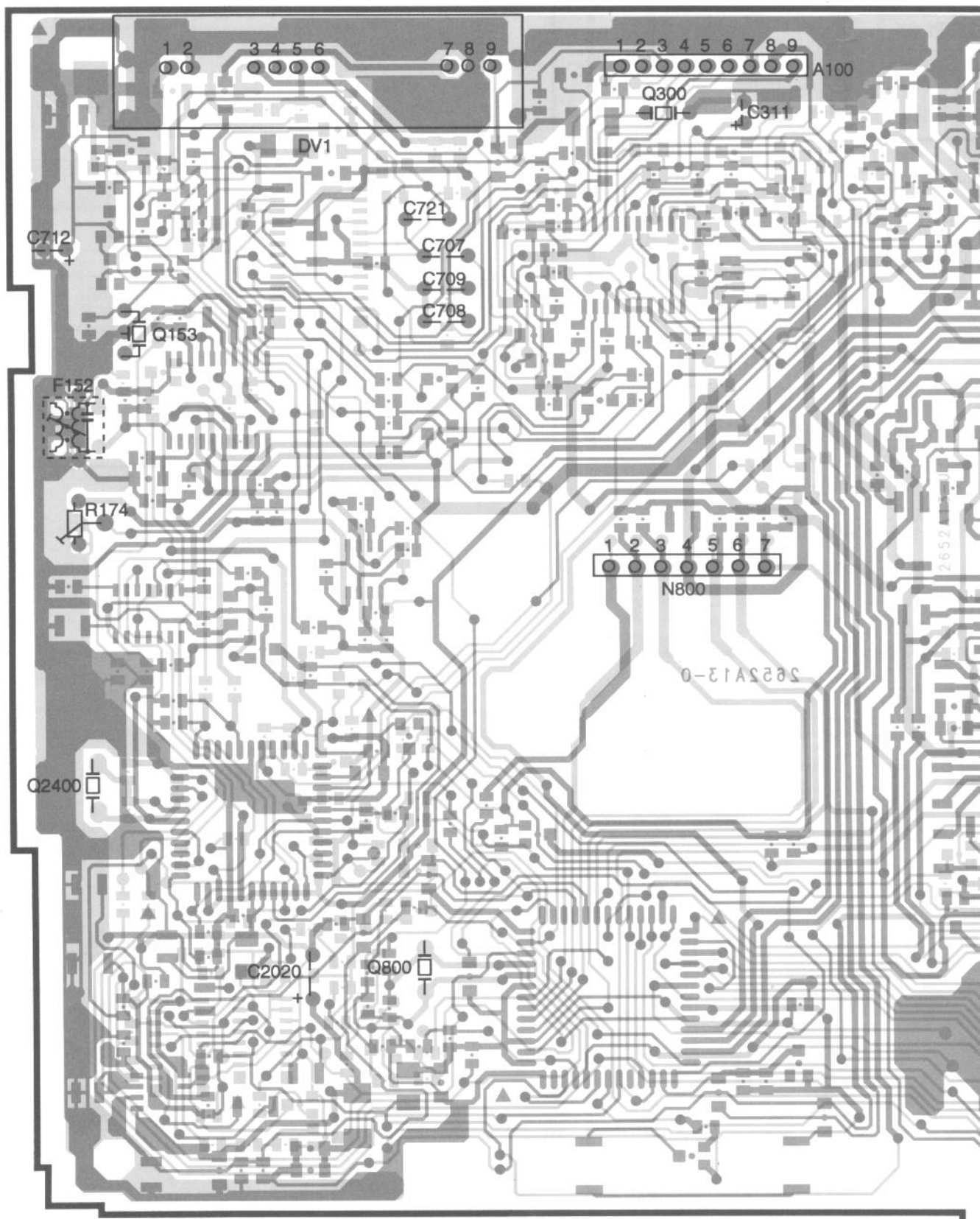


Hauptplatte
Main Board
PL 2652 A13



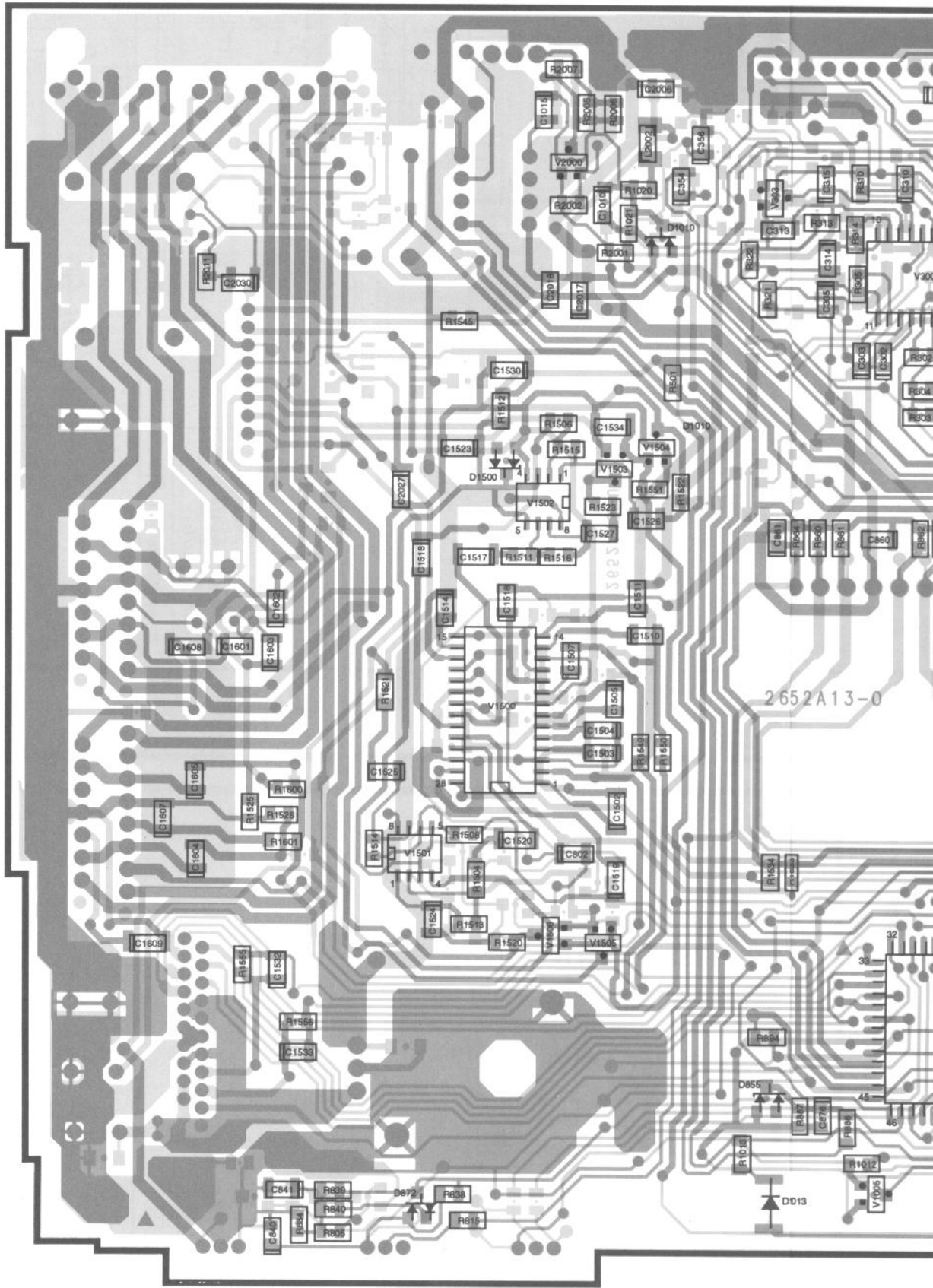
DV1
FM - TUNER

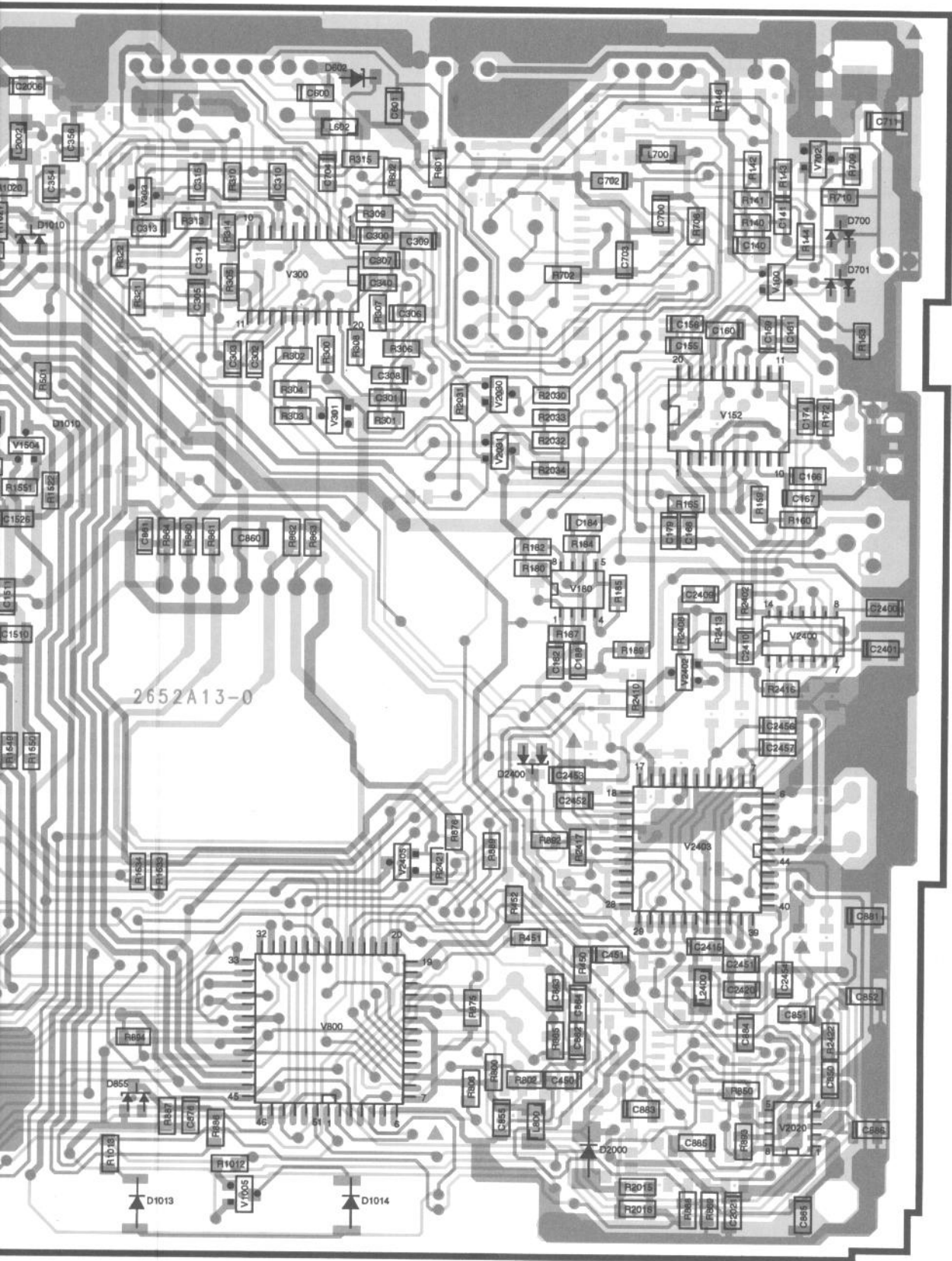
- 1 = FM -HF
- 2 = MASSE
- 3 = DU - FM
- 4 = NC
- 5 = U81
- 6 = MULTIPATH
- 7 = FM - ZF
- 8 = MASSE
- 9 = FM -OSZ



- P8
- 1 = CL
 - 2 = DA
 - 3 = ON

Hauptplatte
Main Board
PL 2652 A13
Chip



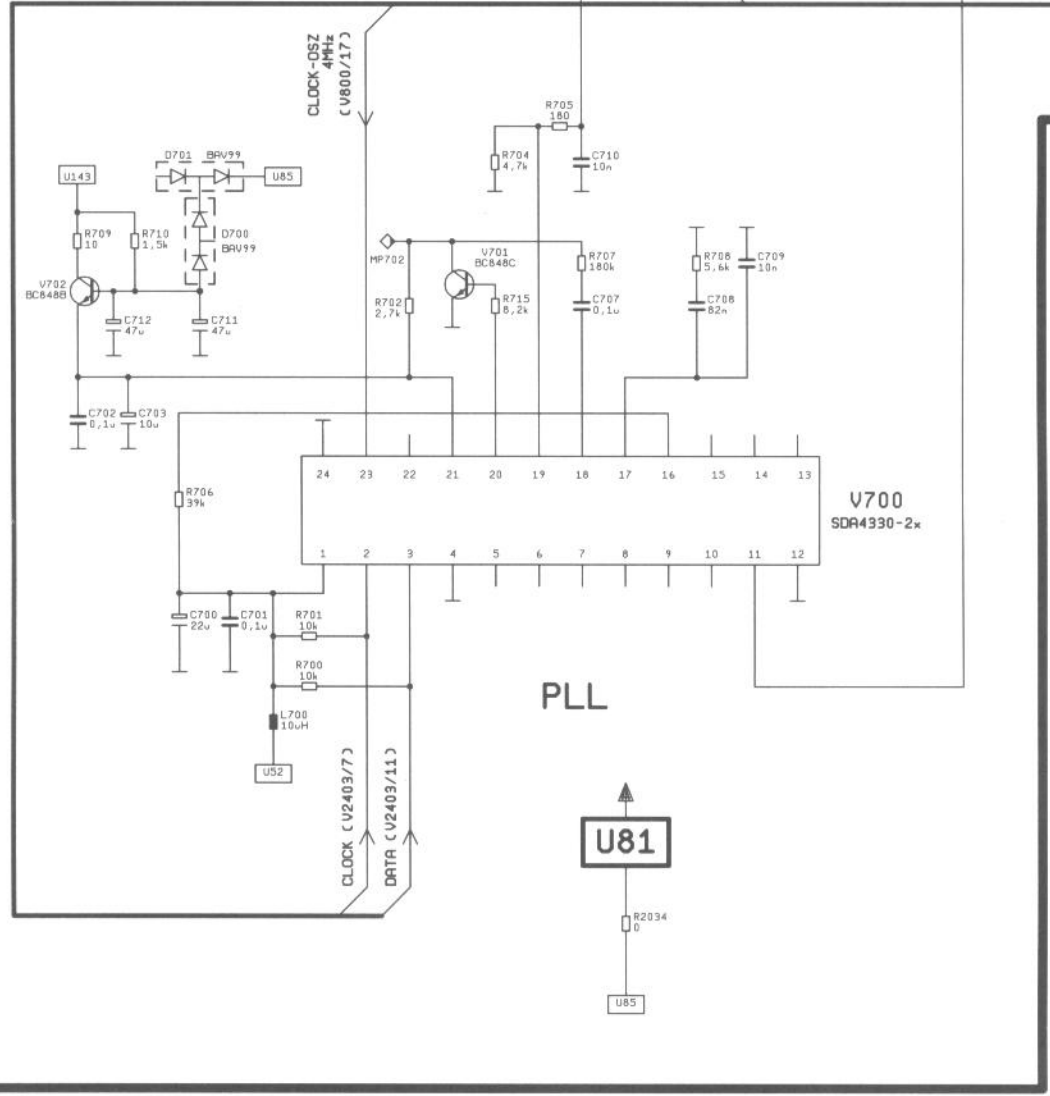
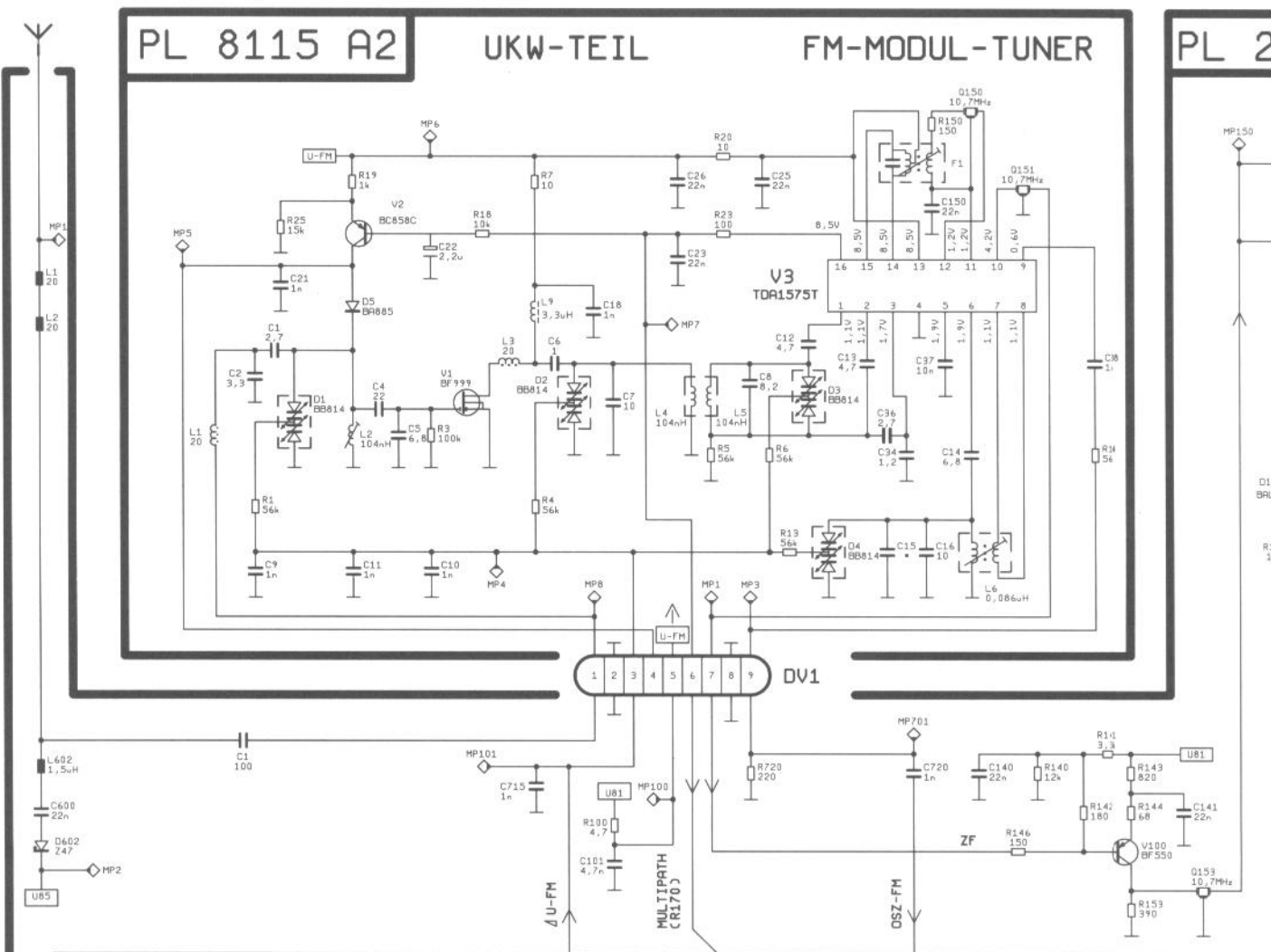


PL 8115 A2

UKW-TEIL

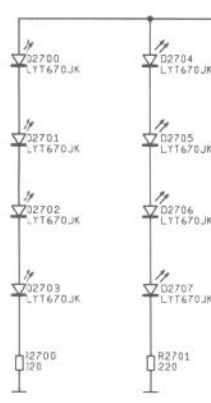
FM-MODUL-TUNER

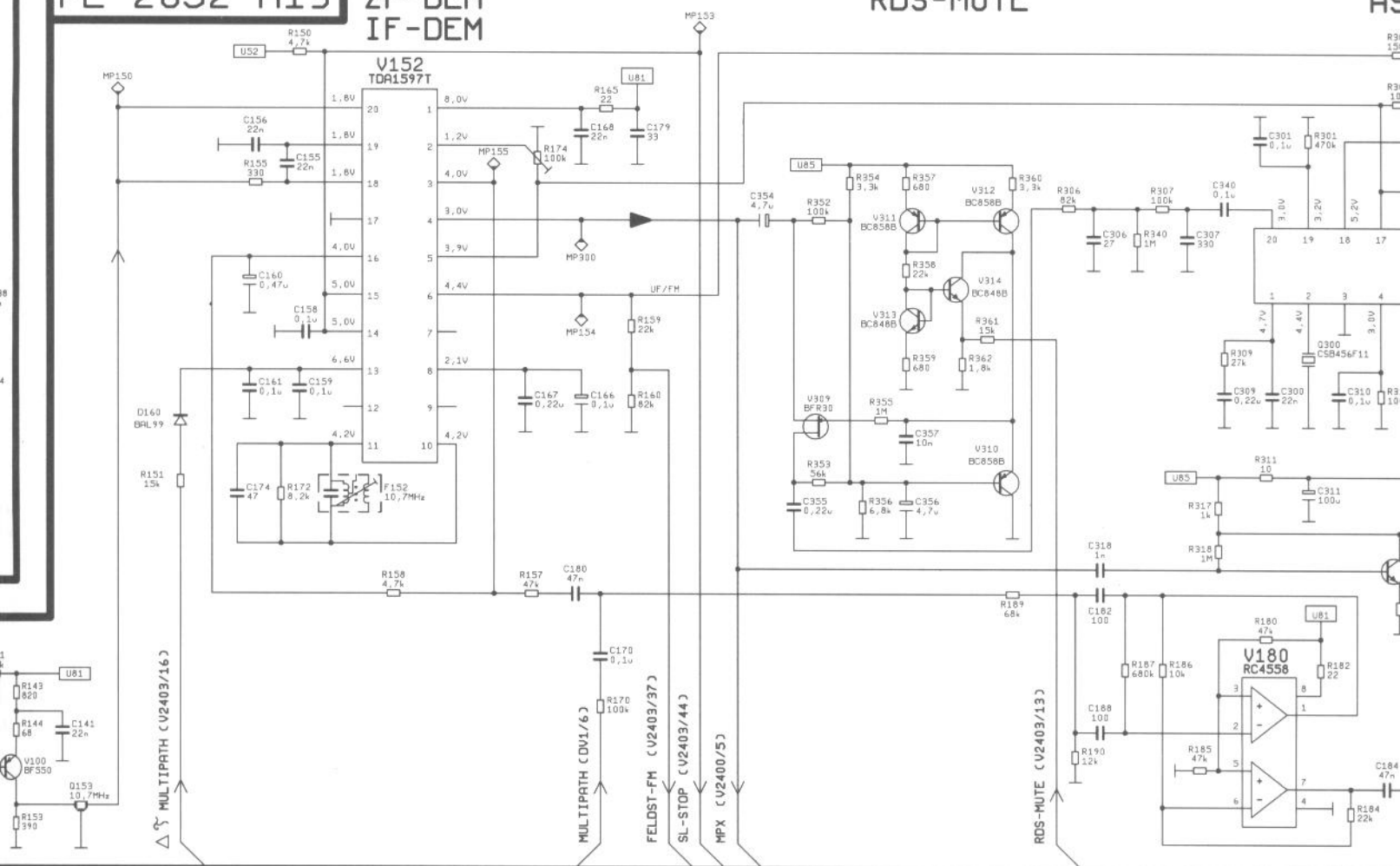
PL 2



PL 8338 A

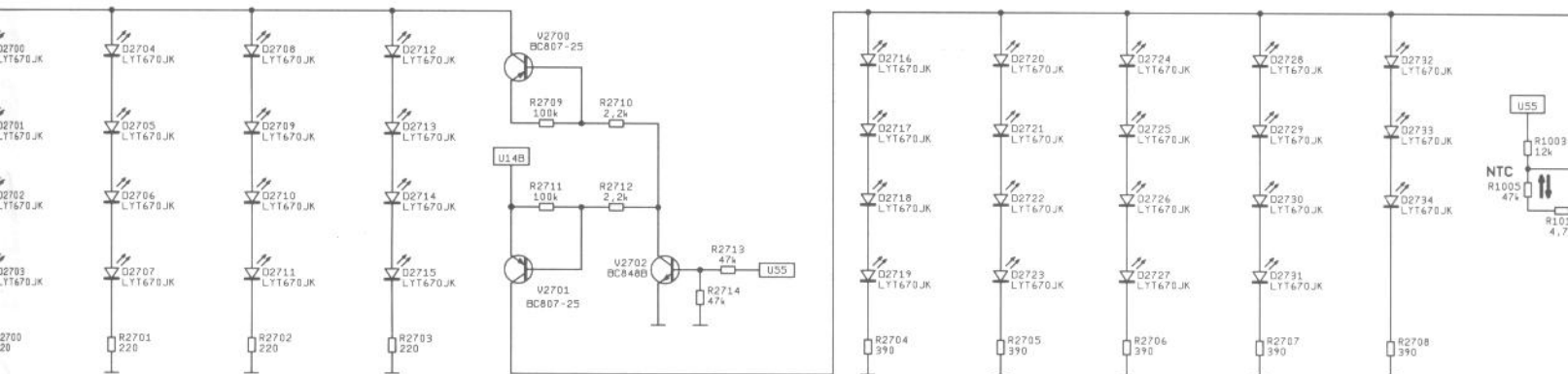
LCD-AUSLE



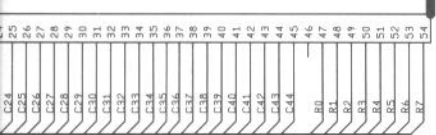


CD-AUSLEUCHTUNG

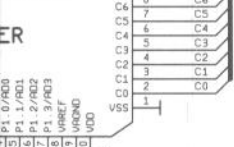
TASTATUR-AUSLEUCHTUNG



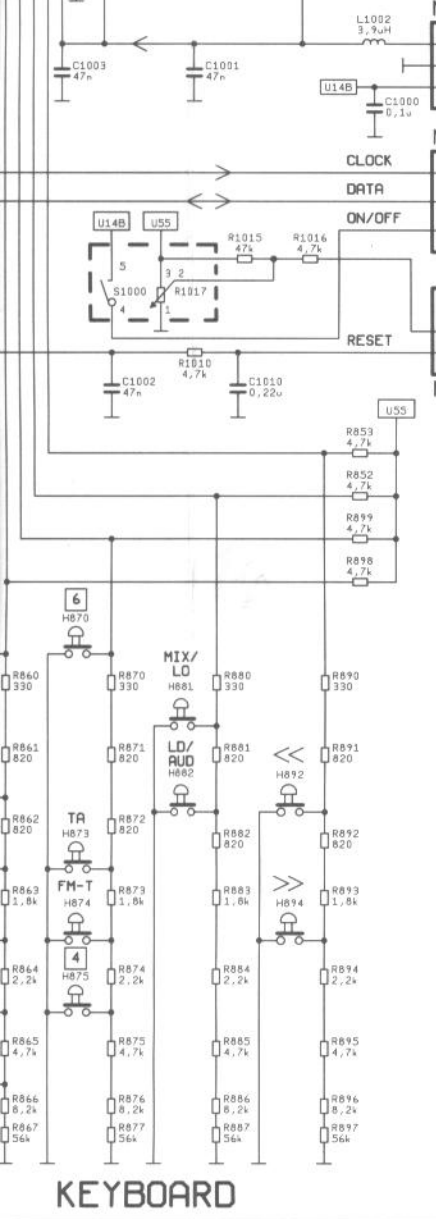
DISPLAY



PROCESSOR

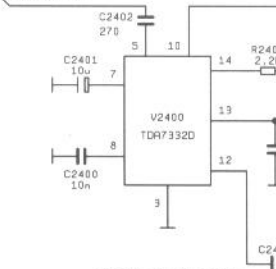


KEYBOARD



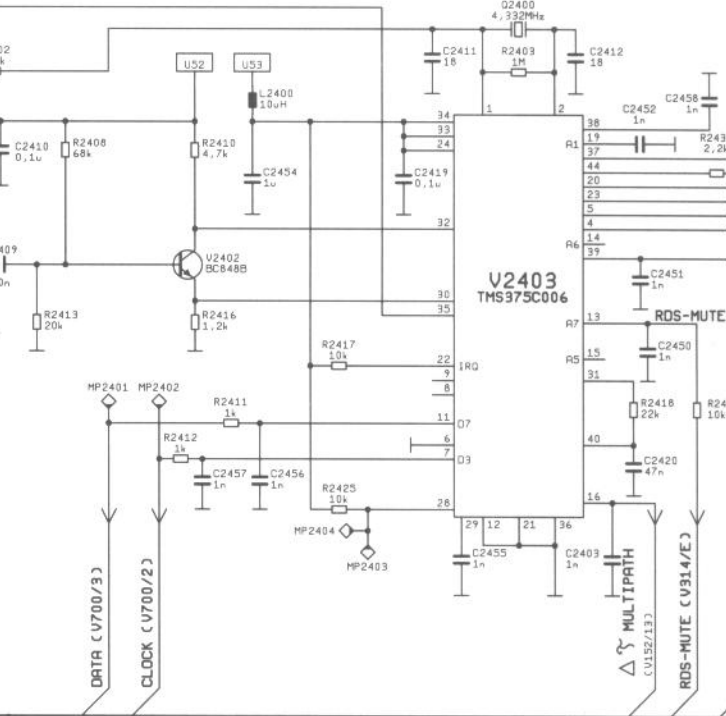
U55

MPX (V152/4)



RDS-FILTER

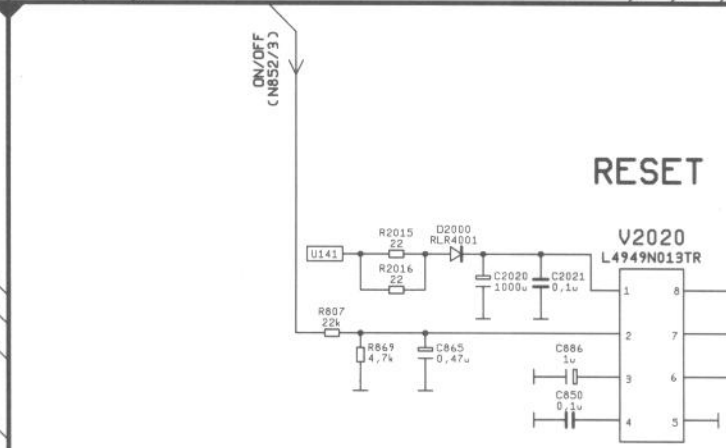
RDS



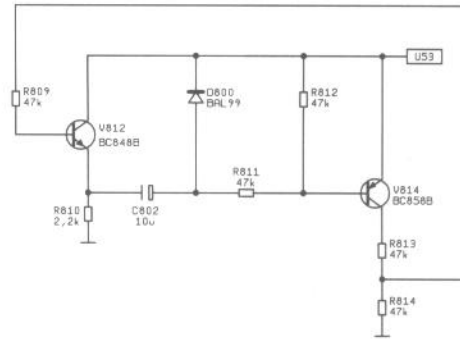
V2403 TMS975C006

RDS-MUTE

RESET



V2020 L4949N013TR

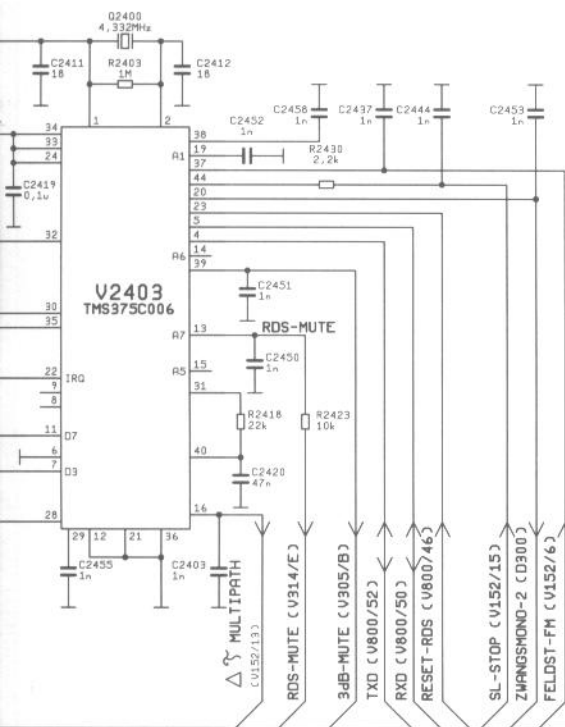


V812 BC848B

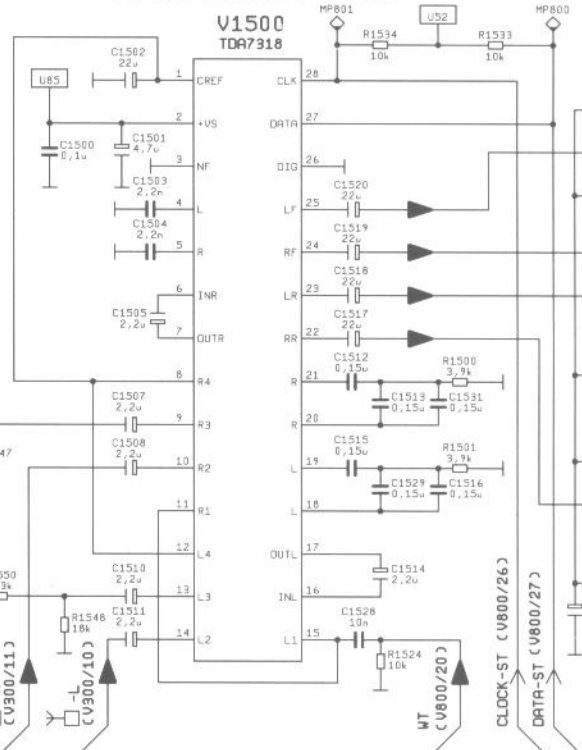
D800 DAL99

V814 BC858B

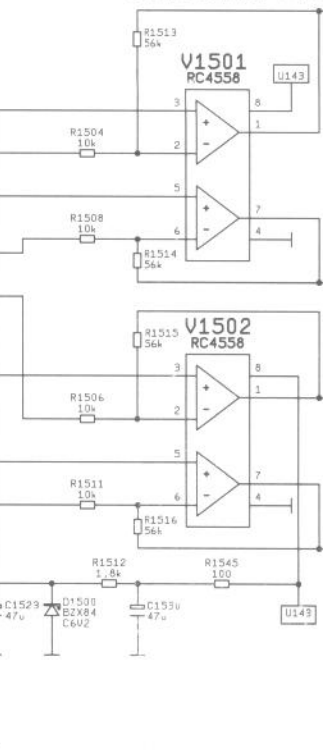
RDS



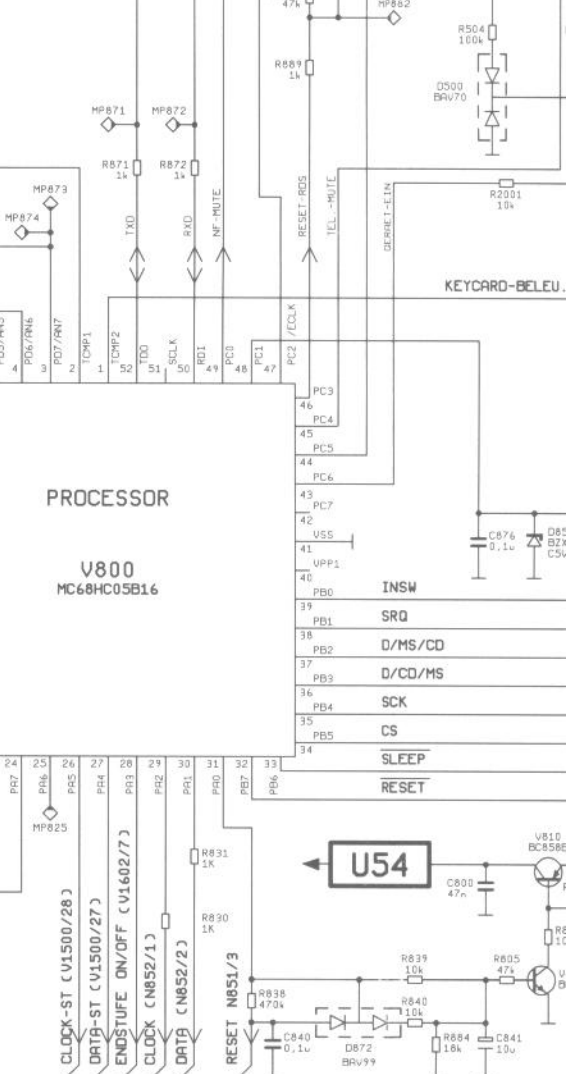
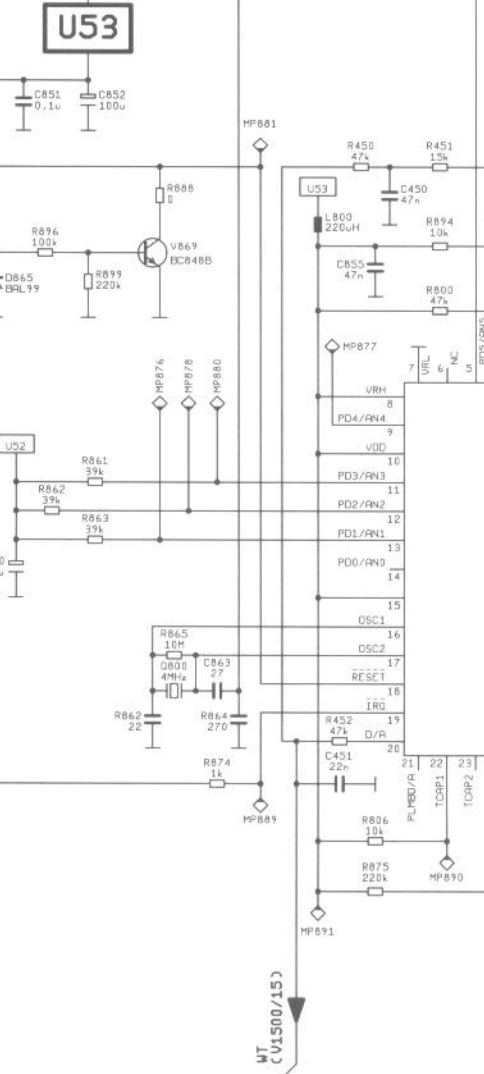
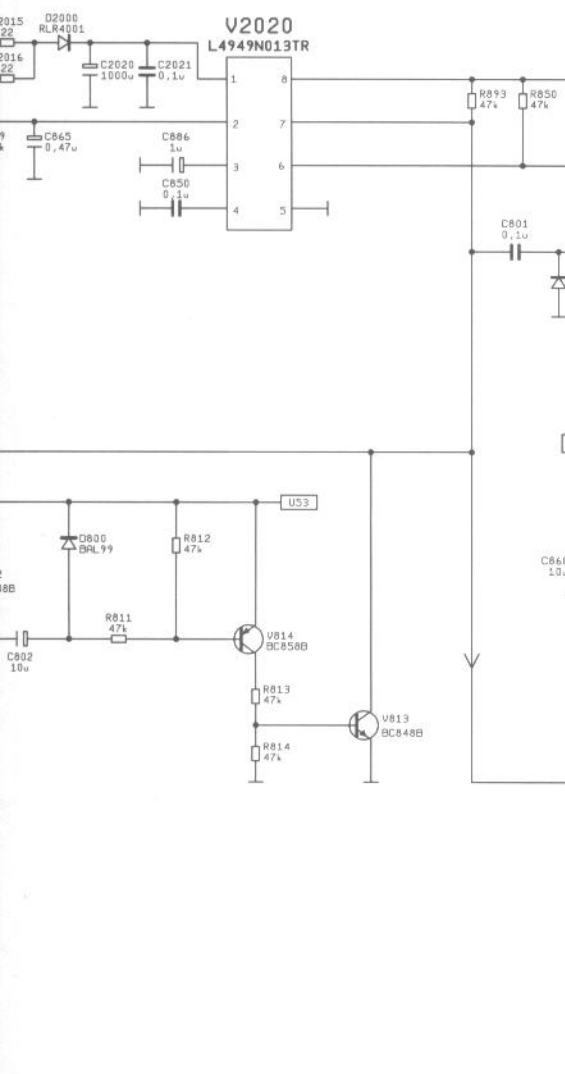
KLANGSTELLER

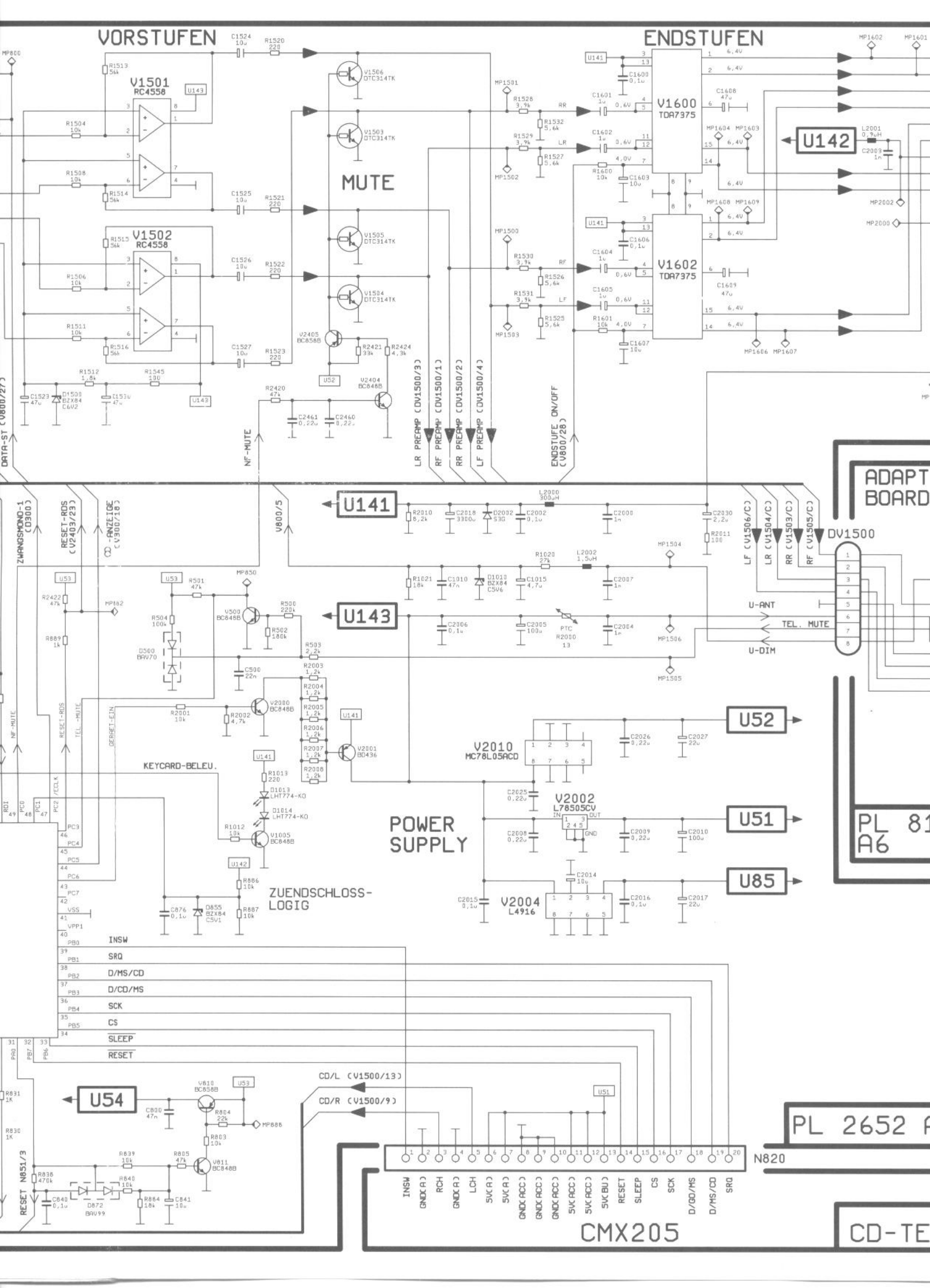


VORSTUFEN



RESET





VORSTUFEN

ENDSTUFEN

MUTE

POWER SUPPLY

KEYCARD-BELEU.

ZUENDSCHLOSS-LOGIK

ADAPT BOARD

PL 81 A6

PL 2652 A

CMX205

CD-TE

- MP800
- MP1501
- MP1502
- MP1503
- MP1504
- MP1505
- MP1506
- MP1602
- MP1603
- MP1604
- MP1606
- MP1607
- MP1609
- MP2000
- MP2002
- MP850
- MP885
- MP886
- MP887
- MP888
- MP889
- MP890
- MP891
- MP892
- MP893
- MP894
- MP895
- MP896
- MP897
- MP898
- MP899
- MP900

