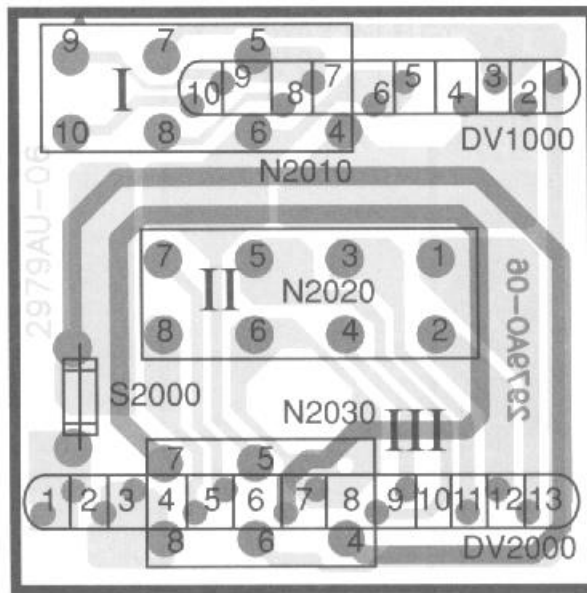


Schaltbild • Circuit diagram • Schema du poste • Esquema del aparato

VKD 2 979



**Anschluß-Platte
Connector-Board**

PL 74



DV2000	
1 = DAUERPLUS	
2 = DAUERPLUS	
3 = MASSE	
4 = MASSE	
5 = -LR	
6 = +LR	
7 = 12V-GESCH	
8 = -LF	
9 = +LF	
10 = -RF	
11 = +RF	
12 = -RR	
13 = +RR	

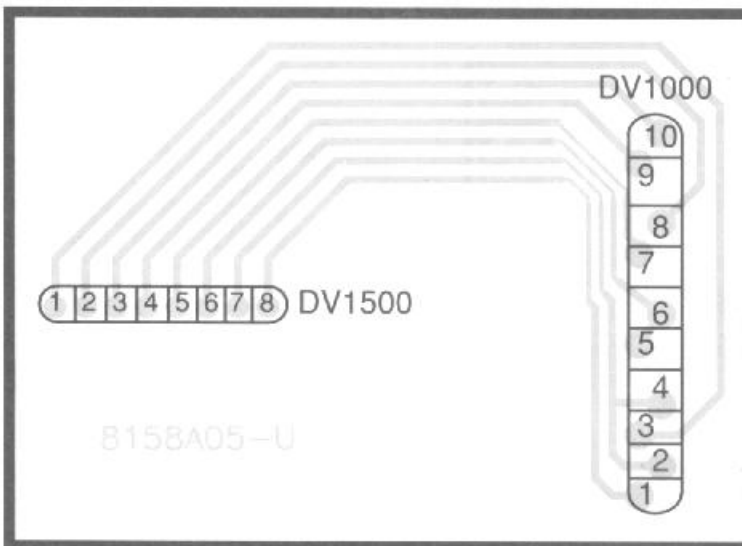
DV1000	
1 =	
2 = TEL-MUTE	
3 = RF	
4 = TEL-MUTE	
5 =	
6 =	
7 = Preamp-Out Masse	
8 = RR	
9 = LF	
10 = LR	

**Verbindungs-Platte
Adapter-Board**

PL 77



VKD 8 158



DV1500	
1 = RF	
2 = RR	
3 = LR	
4 = LF	
5 = MASSE	
6 =	
7 = TEL-MUTE	
8 =	

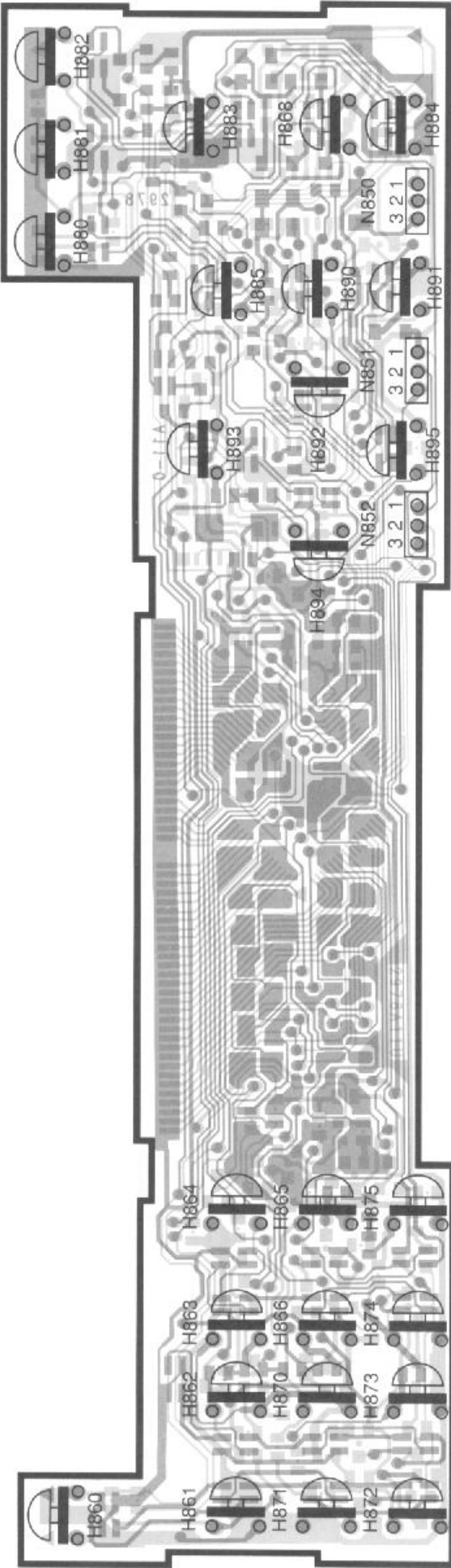
DV1000	
1 =	
2 = TEL-MUTE	
3 = RF	
4 = TEL-MUTE	
5 =	
6 =	
7 = Pre-Out Masse	
8 = RR	
9 = LF	
10 = LR	

Schalter-Platte
Switch Board

PL 73



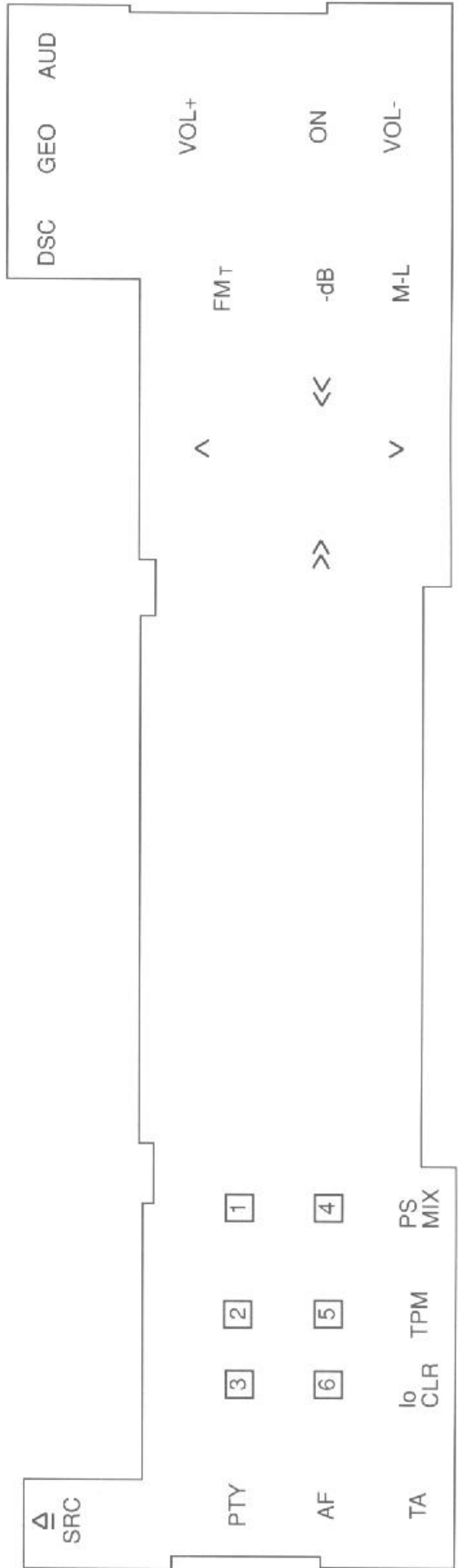
VKD 2 978



N850
1 = U141
2 = MASSE
3 = U54

N851
1 = RESET
2 =
3 =

N852
1 = ON/OFF
2 = DATA
3 = CLOCK

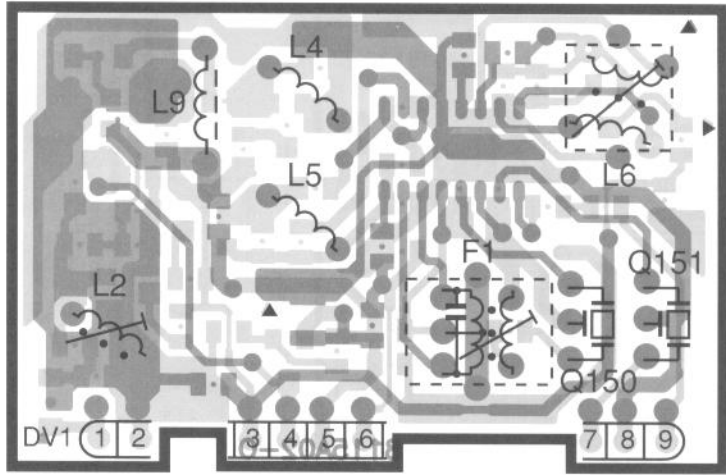


VKD 8 115

DV1	
1=	HF-AM
2=	MASSE
3=	U-FM
4=	
5=	U81
6=	MULTIPATH
7=	ZF
8=	MASSE
9=	FM-OSZ

FM-Platte

PL 06

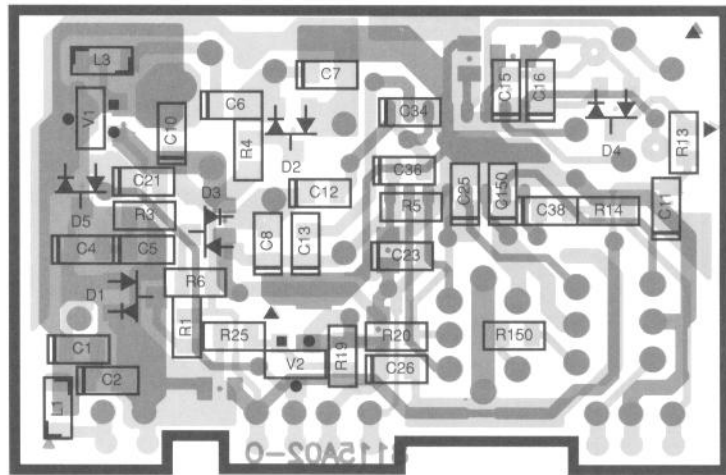


VKD 8 115

FM-Platte

PL 06

Chip

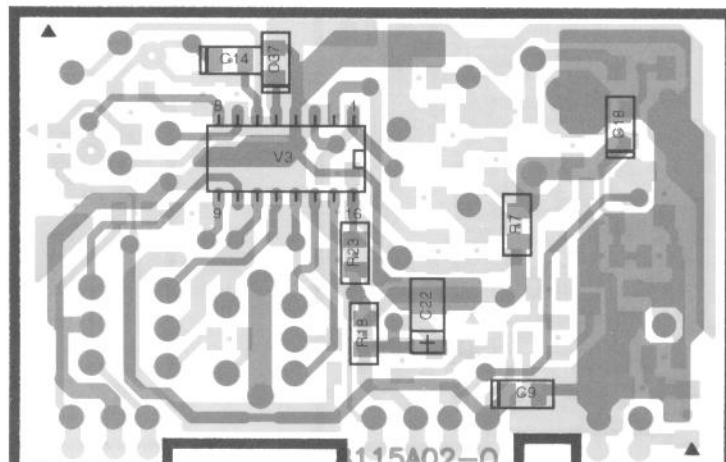


VKD 8 115

FM-Platte

PL 06

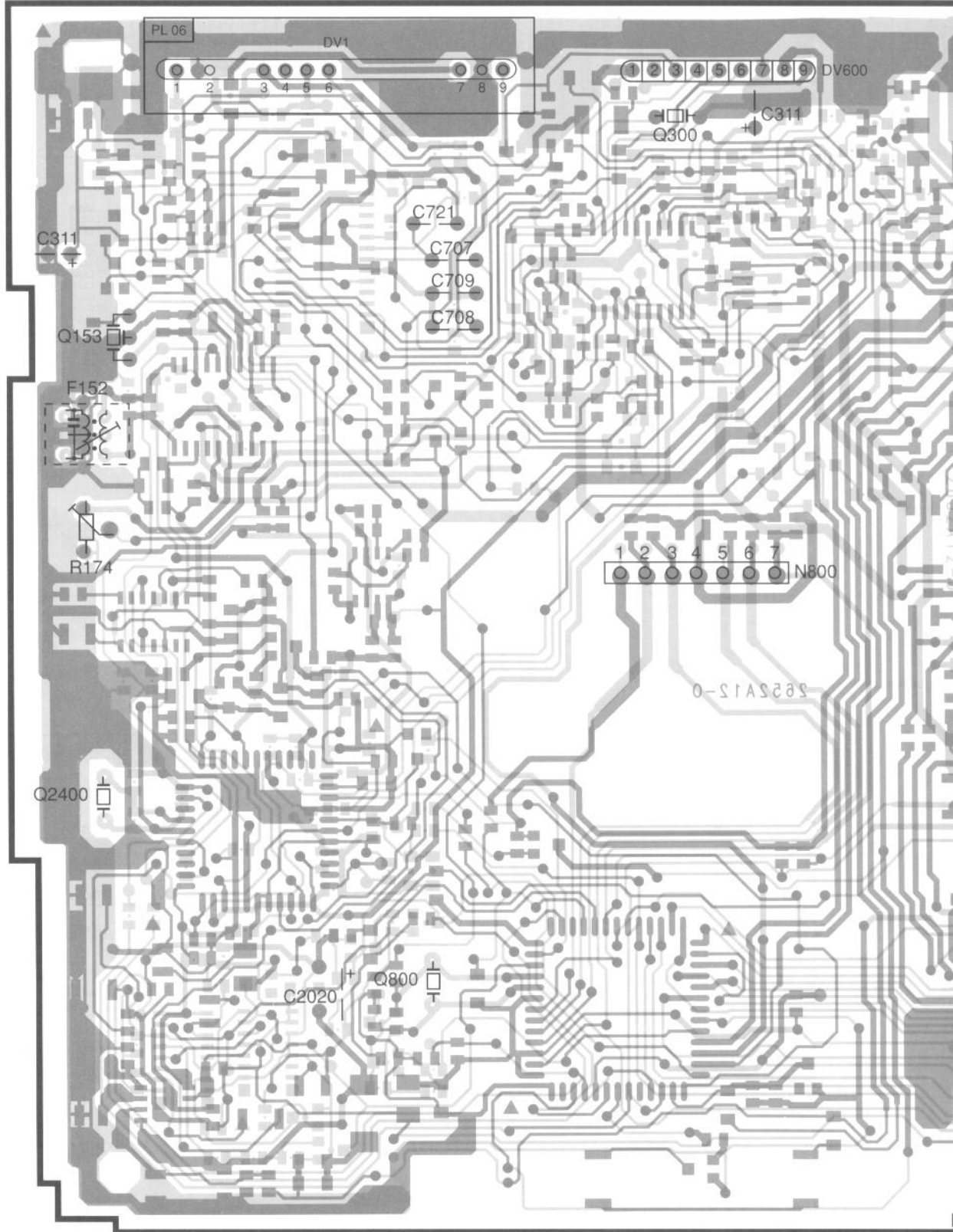
Chip



VKD 2 652

DV600	
1 = OSZ-AM	6 = M / L
2 = FELDST-AM	7 = +U-AM
3 = MASSE	8 = MASSE
4 = NF-AM	9 = HF / Ant.AM
5 = ΔU-AM	

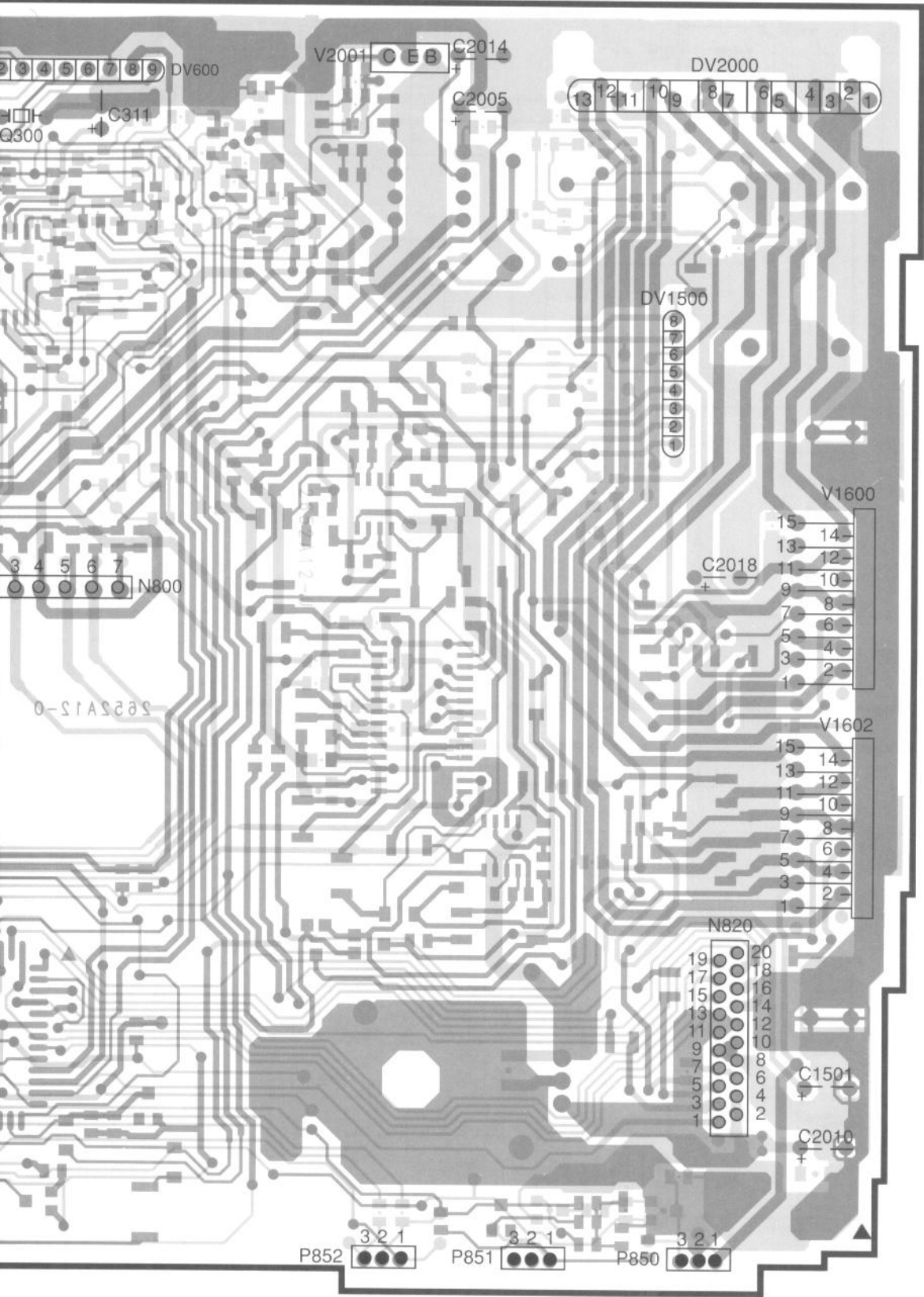
DV1 FM - TUNER	
1 = FM - HF	
2 = MASSE	
3 = ΔU - FM	
4 =	
5 = U81	
6 = MULTIPATH	
7 = FM - ZF	
8 = MASSE	
9 = FM - OSZ.	



DV600	
OSZ-AM	6 = M / L
FELDSST-AM	7 = +U-AM
MASSE	8 = MASSE
NF-AM	9 = HF / Ant.AM
U-AM	

Hauptplatte
Main Board

PL 20



DV2000	
1	= DAUERPLUS
2	= DAUERPLUS
3	= MASSE
4	= MASSE
5	= -LR
6	= +LR
7	= 12V-GESCH
8	= -LF
9	= +LF
10	= -RF
11	= +RF
12	= -RR
13	= +RR

DV1500	
1	= RF
2	= RR
3	= LR
4	= LF
5	= MASSE
6	=
7	= TEL-MUTE
8	=

N820	
1	= INSW
2	= GND (A)
3	= RCH
4	= GND (A)
5	= LCH
6	= 5V (A)
7	= 5V (A)
8	= GND (ACC)
9	= GND (ACC)
10	= GND (ACC)
11	= 5V (ACC)
12	= 5V (ACC)
13	= 5V (BU)
14	= RESET
15	= SLEEP
16	= CS
17	= SCK
18	= D / GO / MS
19	= D / MS /CD
20	= SRQ

P852	
1	= CLOCK
2	= DATA
3	= ON / OFF

P851	
1	=
2	=
3	= RESET

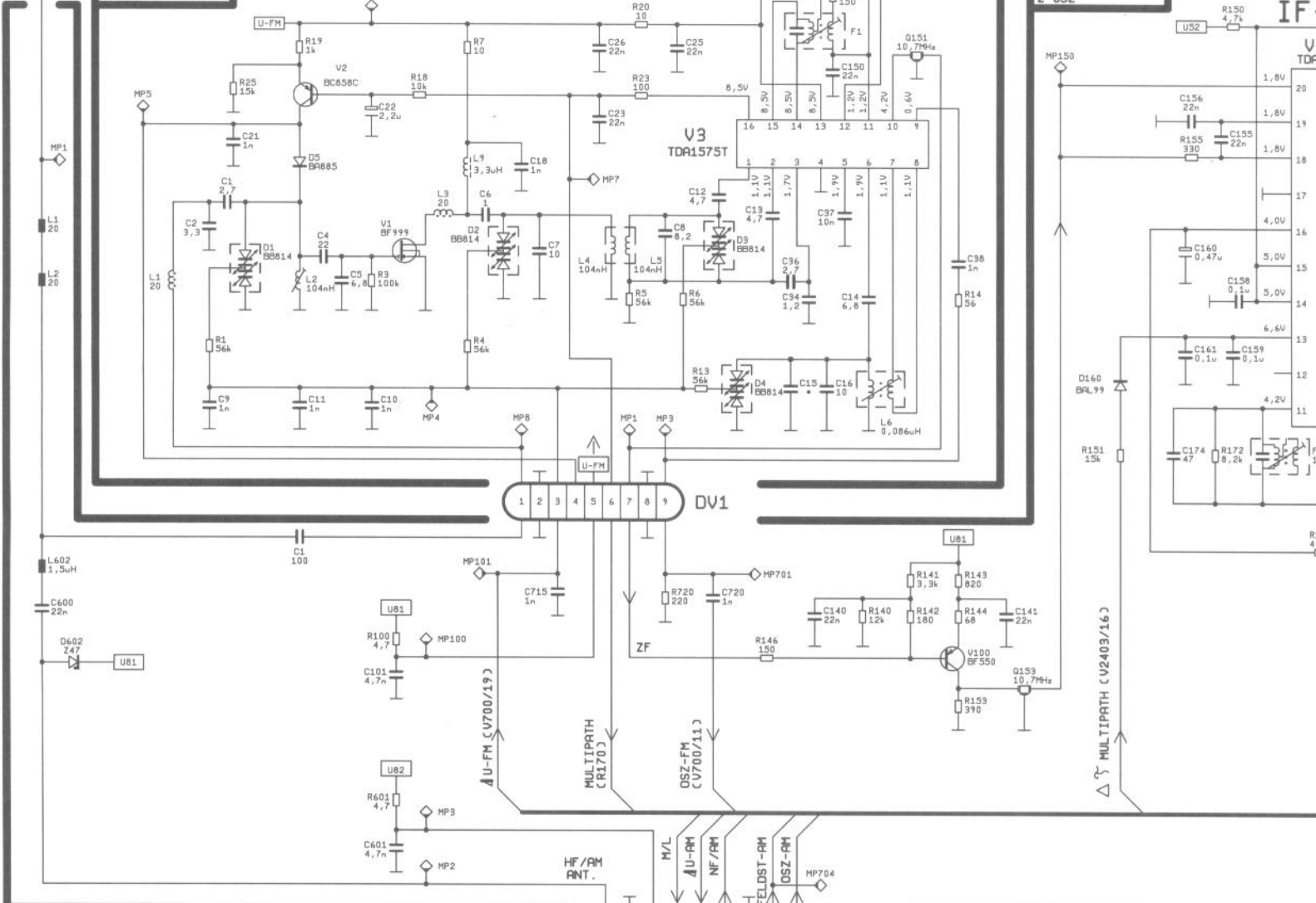
P850	
1	= U54
2	= MASSE
3	= U141

PL-06
8 115

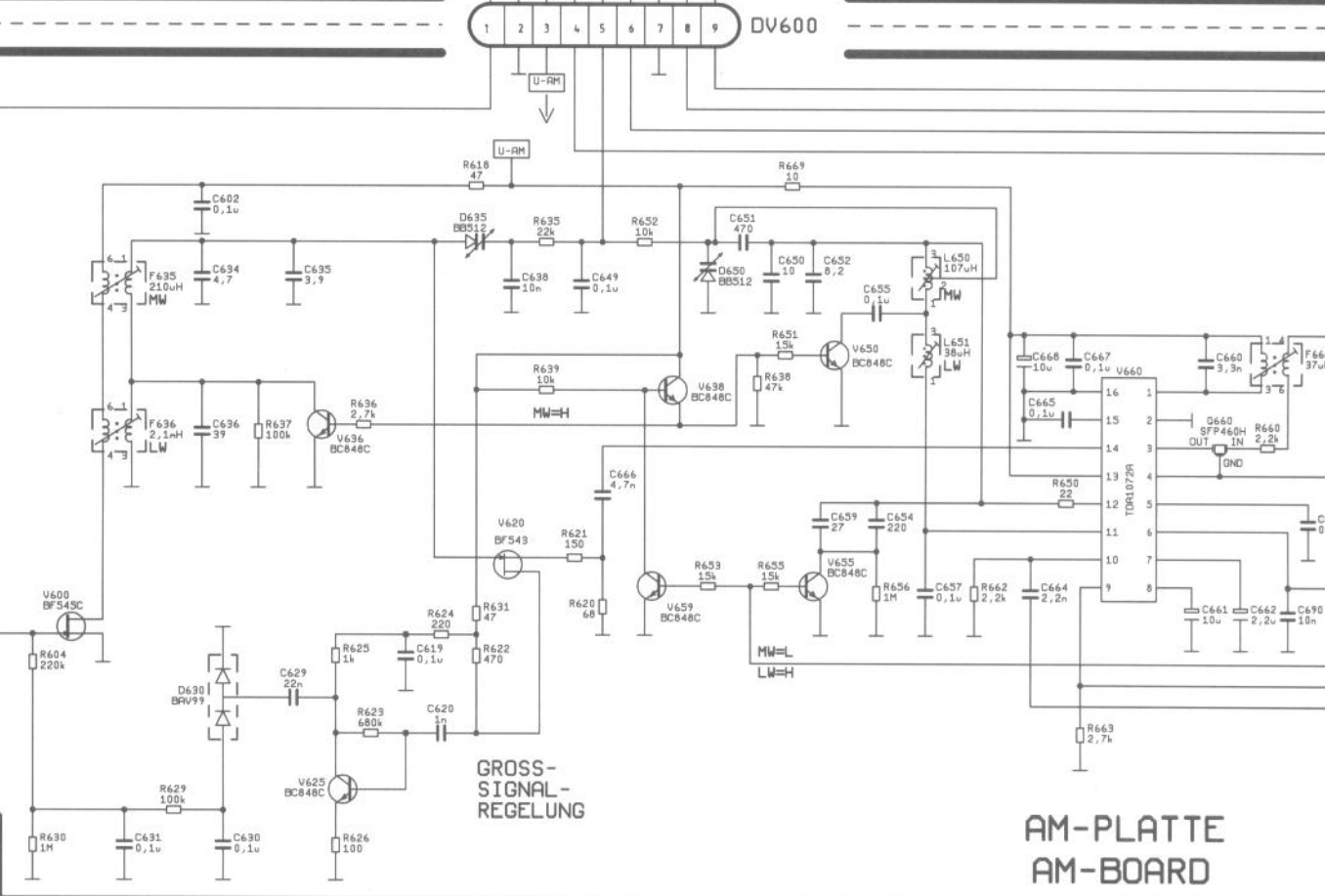
FM-MODUL-TUNER UKW-TEIL

PL-20
2 652

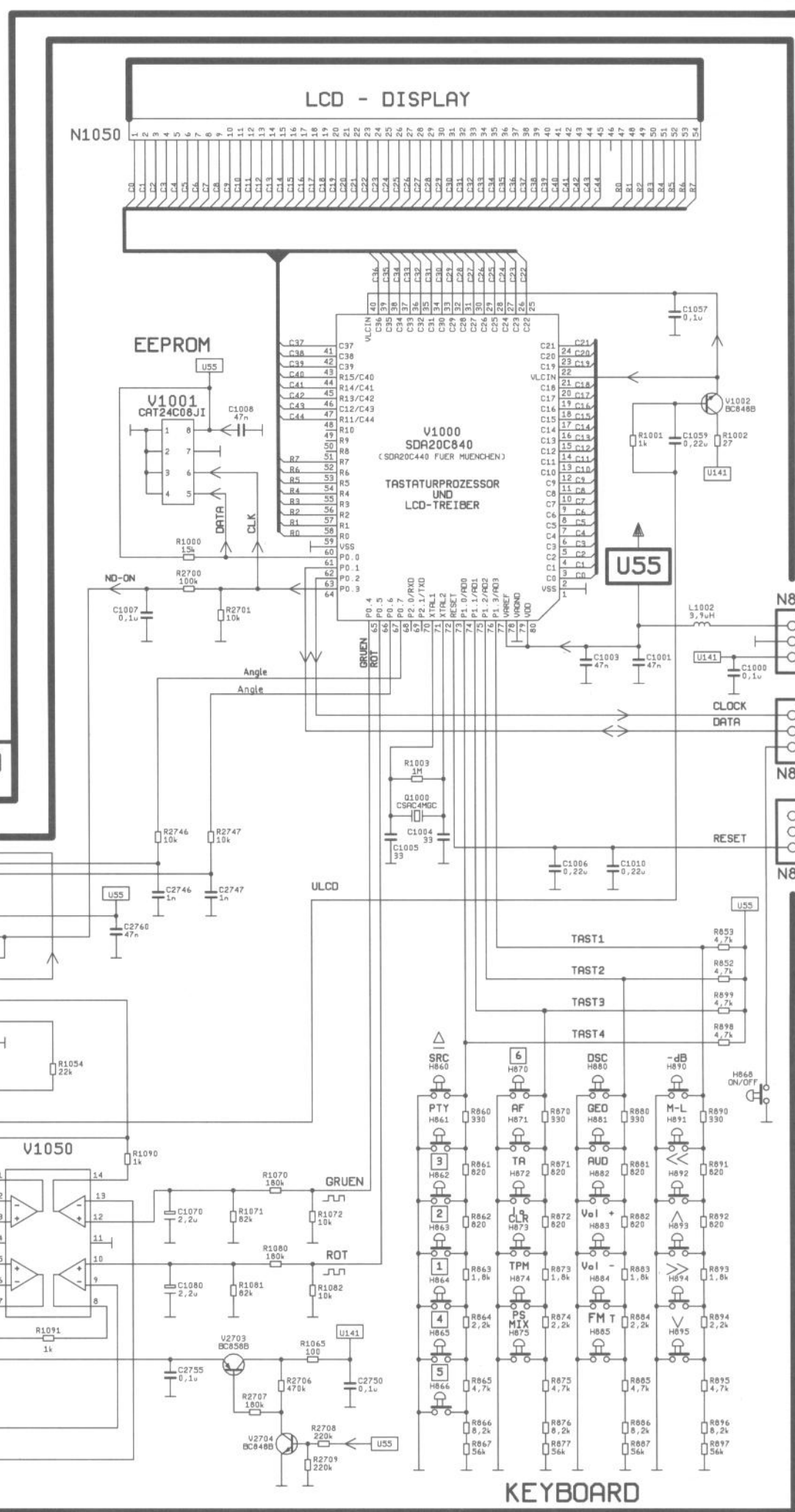
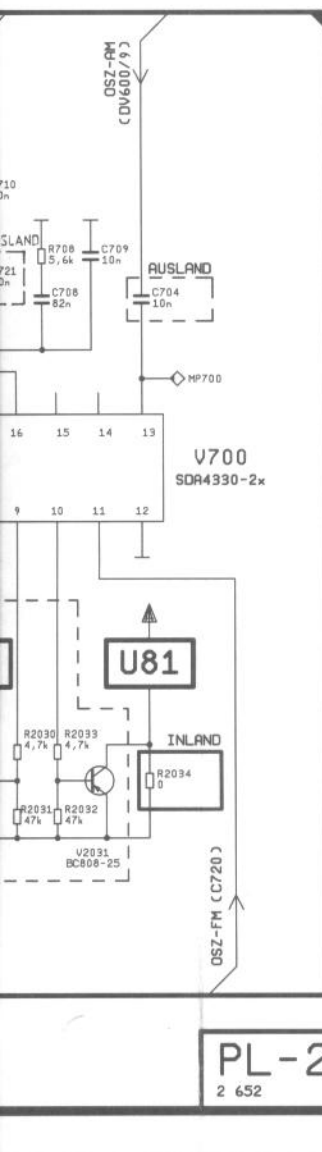
ZF-IF-



PL-02
2 981

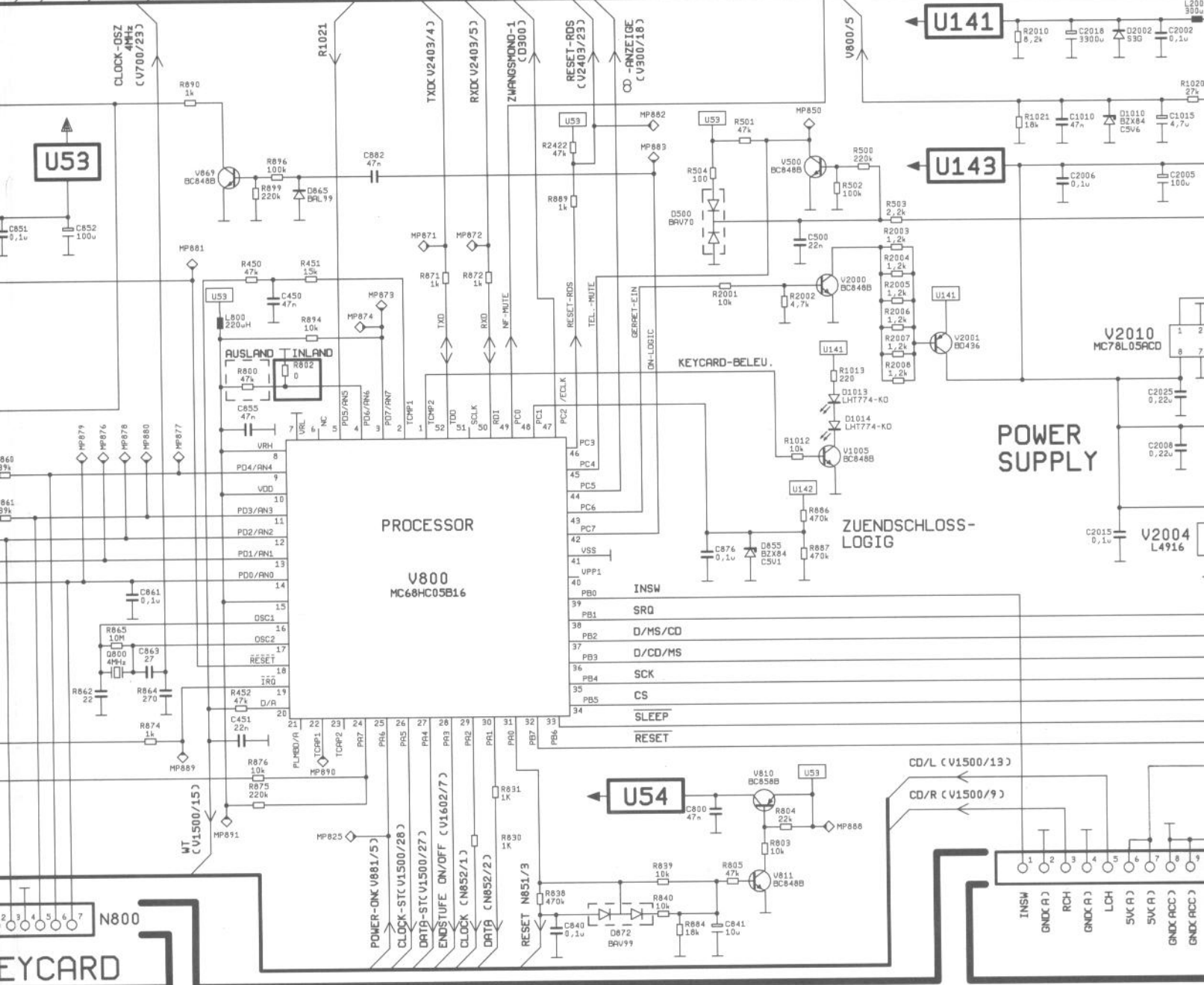
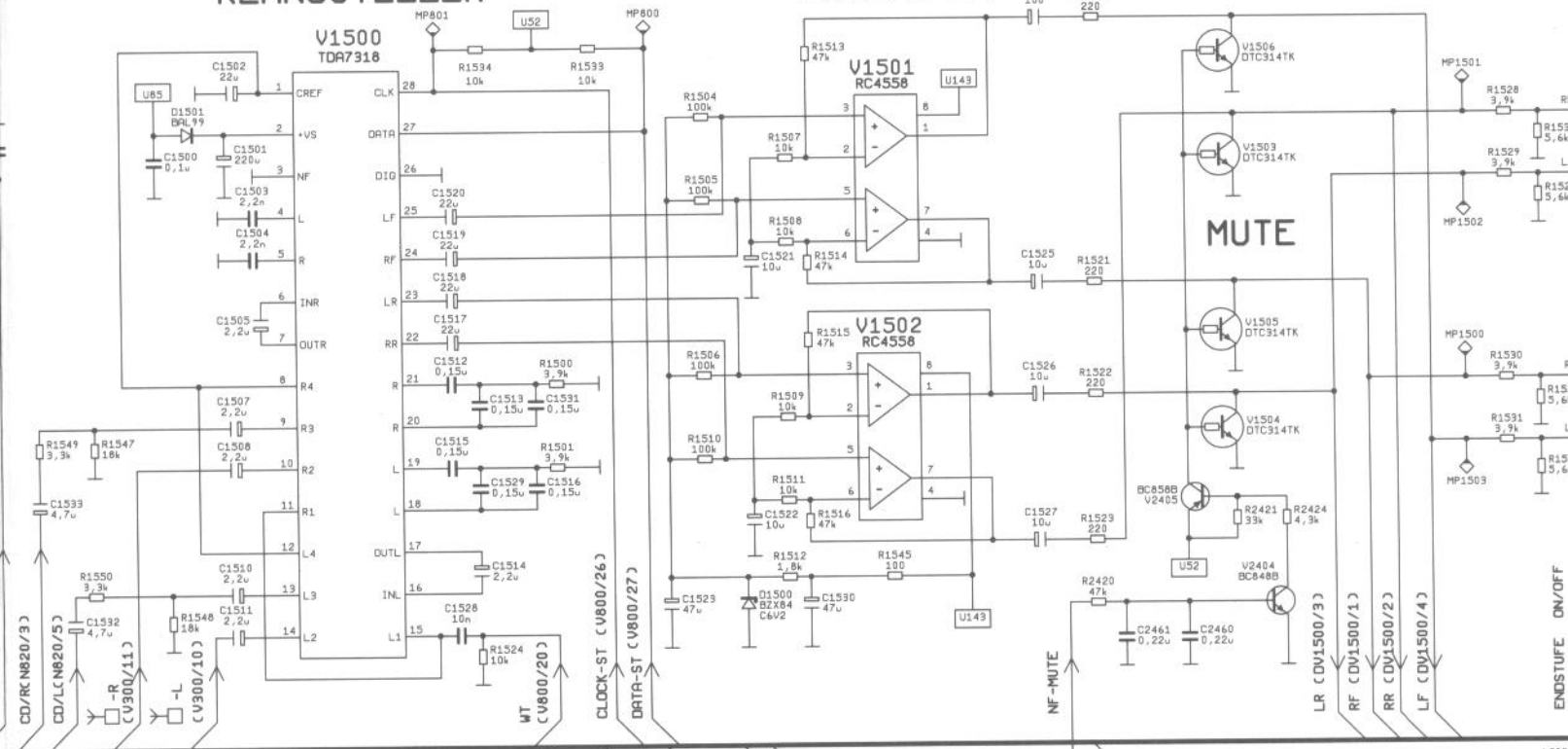


**AM-PLATTE
AM-BOARD**

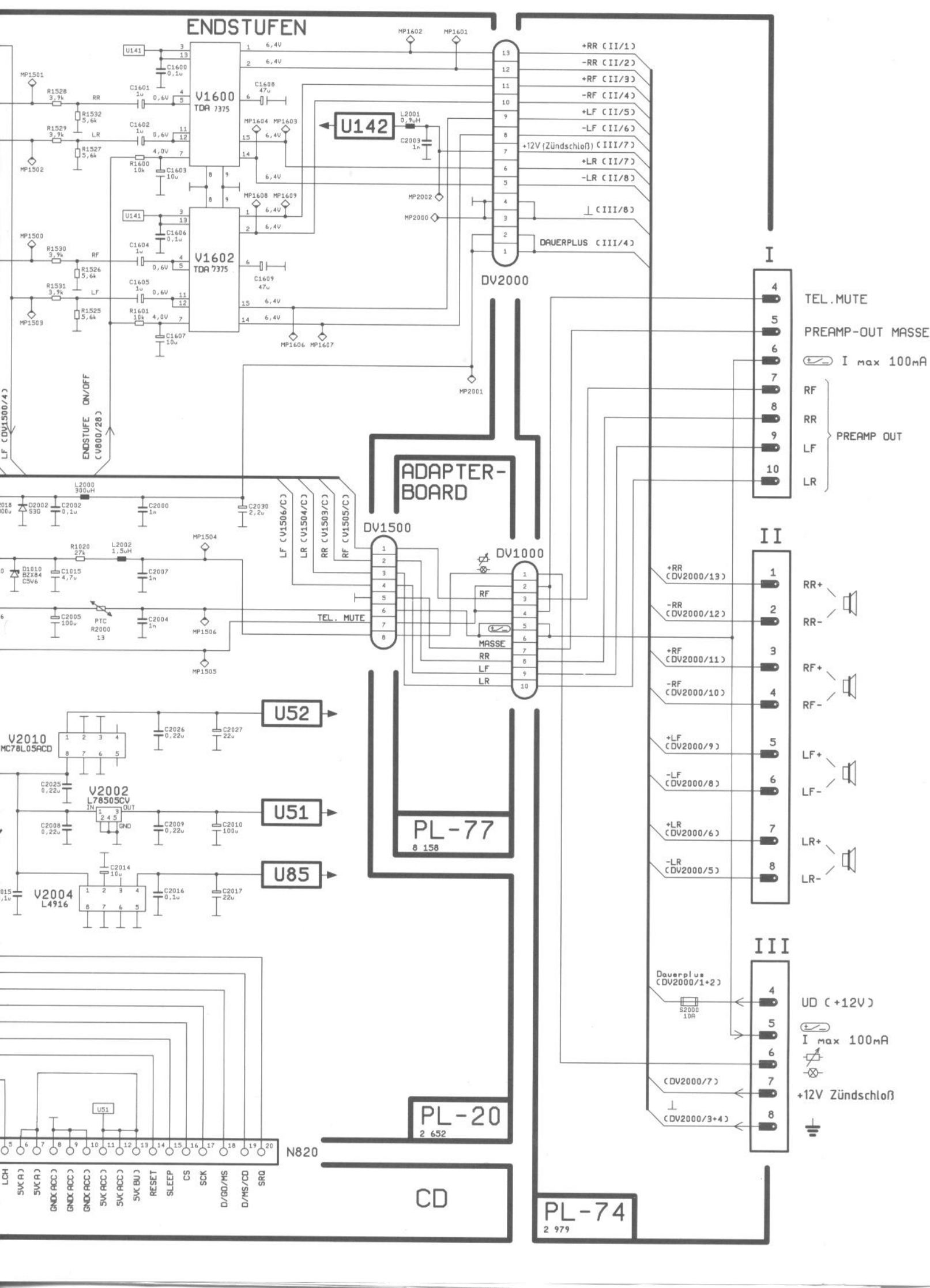


KLANGSTELLER

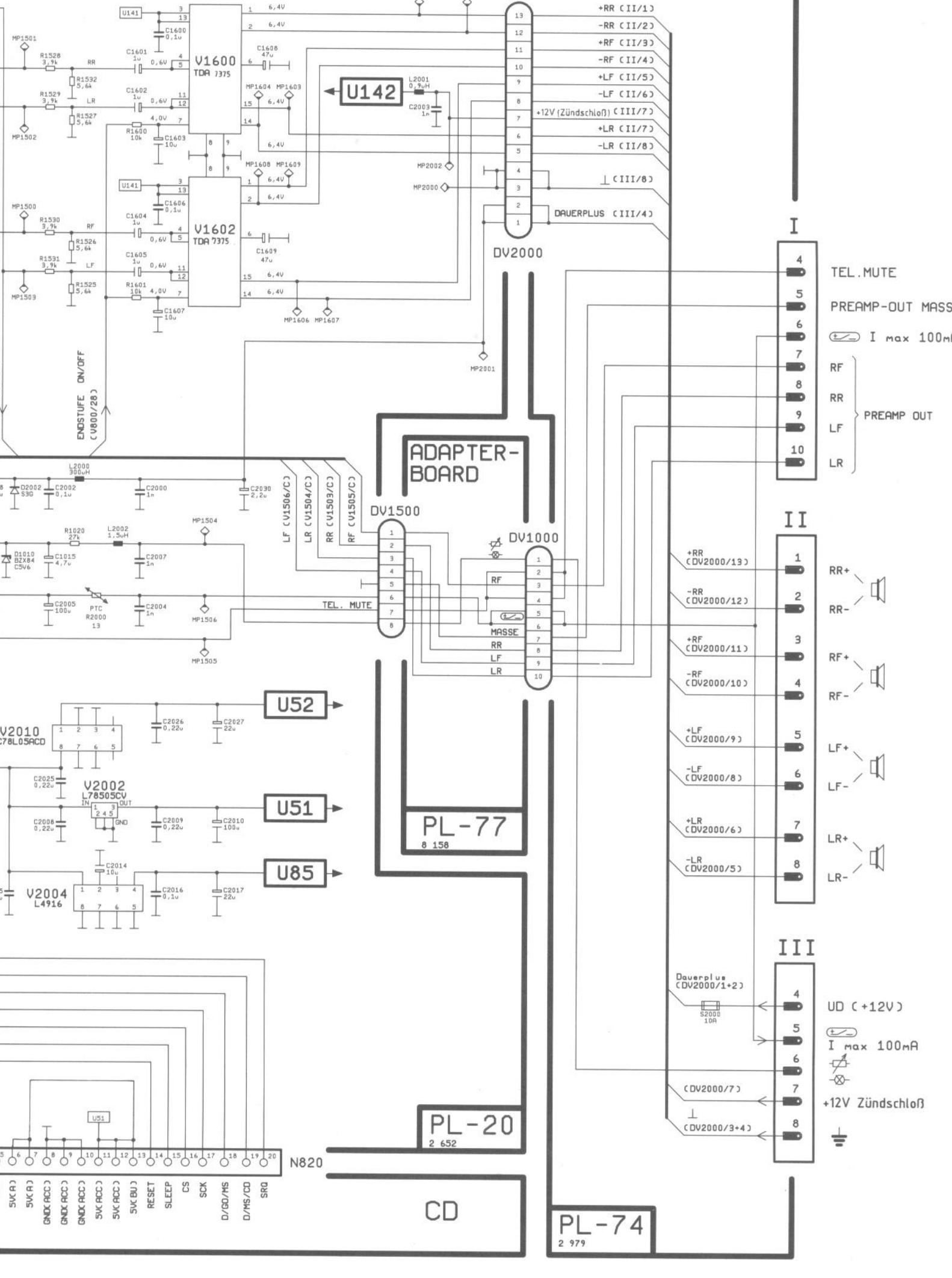
VORSTUFEN



ENDSTUFEN



ENDSTUFEN



I
 4 TEL. MUTE
 5 PREAMP-OUT MASSE
 6 I max 100mA
 7 RF
 8 RR
 9 LF
 10 PREAMP OUT
 LR

II
 1 +RR (DV2000/13) RR+
 2 -RR (DV2000/12) RR-
 3 +RF (DV2000/11) RF+
 4 -RF (DV2000/10) RF-
 5 +LF (DV2000/9) LF+
 6 -LF (DV2000/8) LF-
 7 +LR (DV2000/6) LR+
 8 -LR (DV2000/5) LR-

III
 4 Dauerplus (DV2000/1+2) UD (+12V)
 5 I max 100mA
 6
 7 (DV2000/7)
 8 (DV2000/3+4)
 +12V Zündschloß

1 LCH
 2 SVC(A)
 3 SVC(B)
 4 GNDX(RCC)
 5 GNDX(LCC)
 6 GNDX(BU)
 7 SVC(BU)
 8 RESET
 9 SLEEP
 10 CS
 11 SCK
 12 D/G0/MS
 13 D/MS/CD
 14 SRQ
 15
 16
 17
 18
 19
 20

PL-20
 2 652

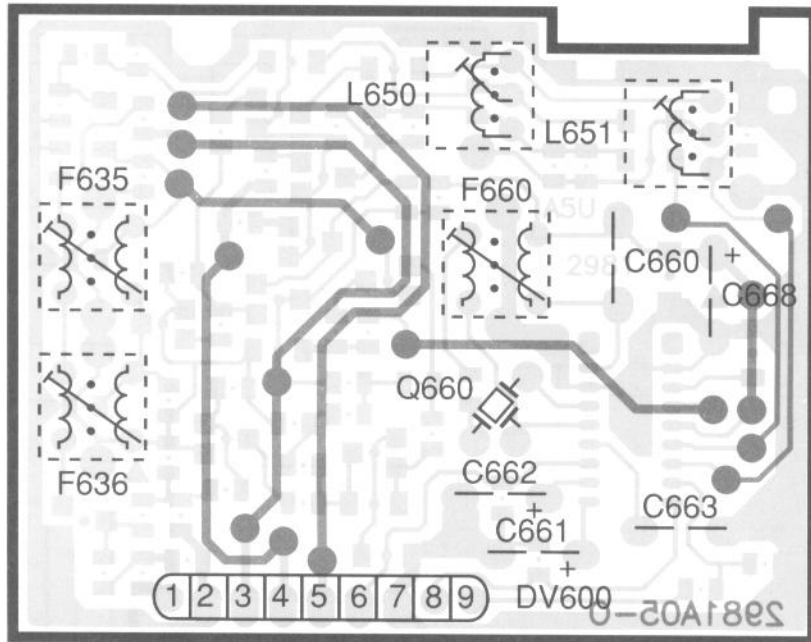
PL-74
 2 979

CD

VKD 2 981

AM-Platte
AM-Board

PL 02

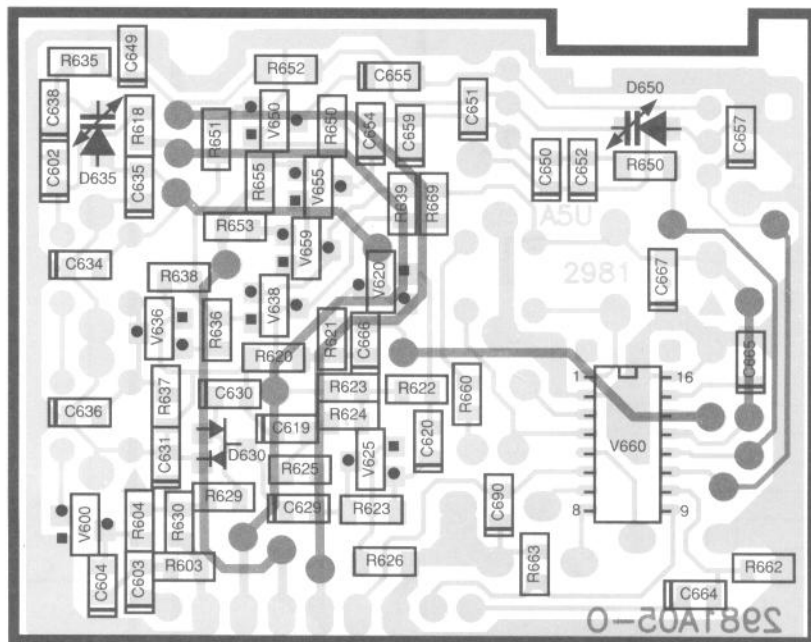


DV600	
1 = OSZ-AM	6 = M / L
2 = FELDST-AM	7 = +U-AM
3 = MASSE	8 = MASSE
4 = NF-AM	9 = HF / Ant.AM
5 = ΔU-AM	

AM-Platte
AM-Board

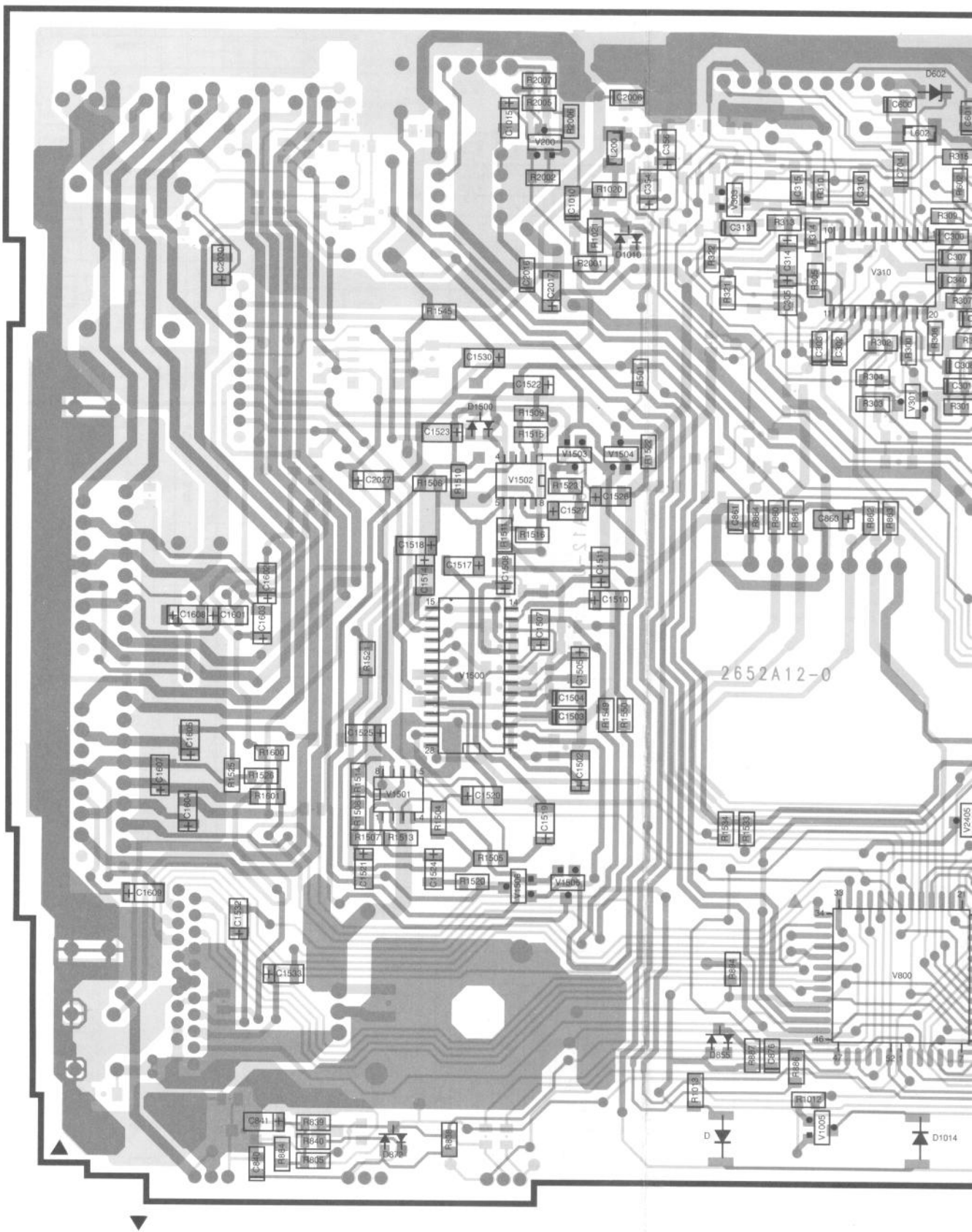
PL 20

Chip



Hauptplatte
Main Board

PL 20
Chip



Änderungen vorbehalten! Nachdruck – auch auszugsweise – nur mit Quellenangabe gestattet.

Modification réservées! Reproduction – aussi en abrégé – permise seulement avec indication des sources.

