

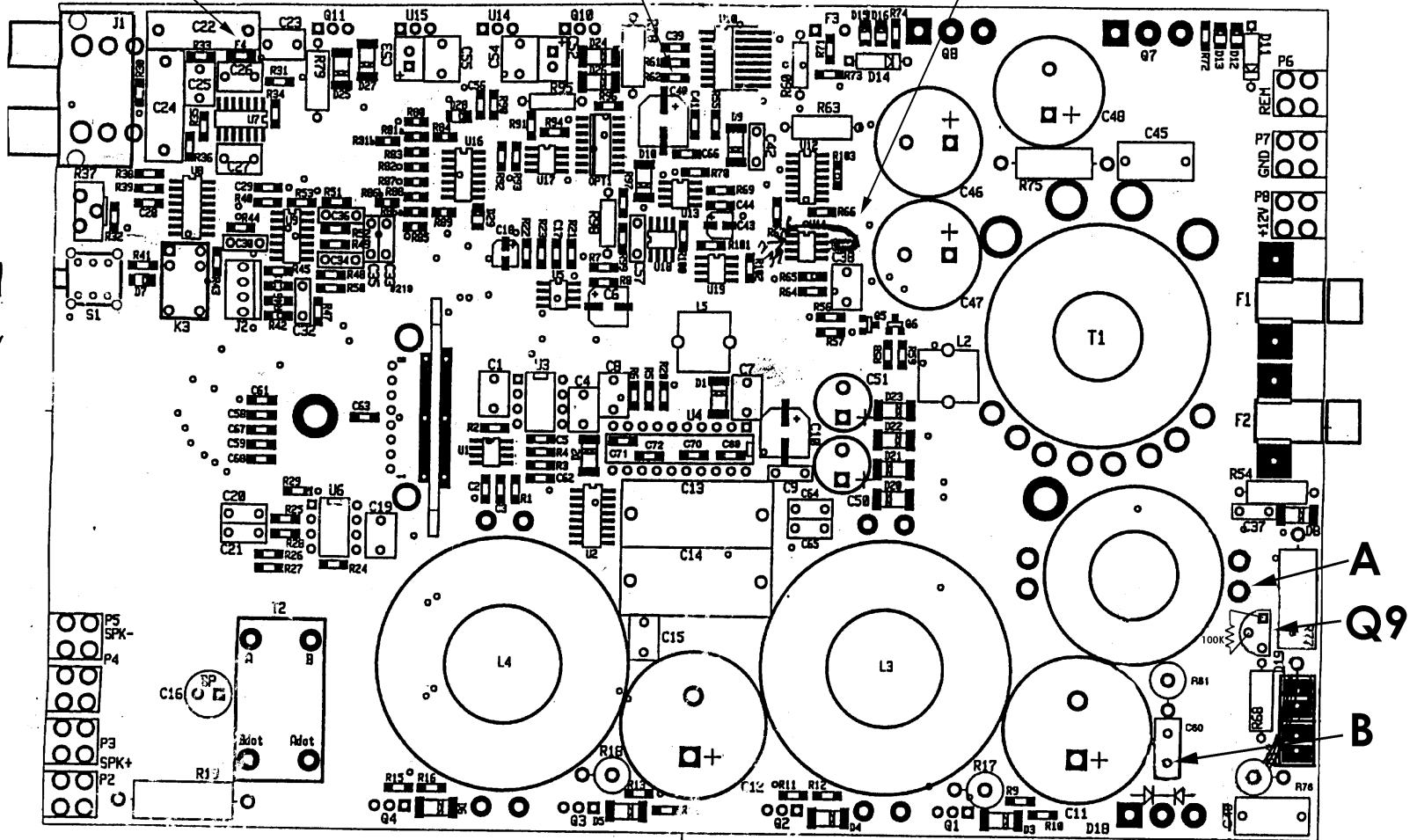
Designer: Russell Kinder	Model: Kicker DX350 Class D Amp
SKU: G 300	Company: Stillwater Designs
Year: 3/28/00	
Revision: G 300	

Replace F4 with 1 AMP Time Delay Surface mount fuse on all amps

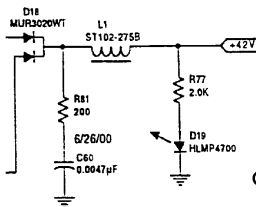
Change R62 from 150ohm to a 200ohm

Connect a .001 Ceramic Cap to leads 2 and 3 of U11

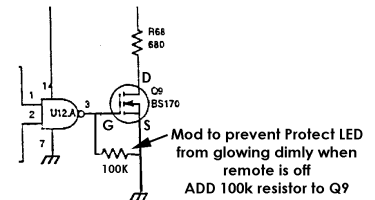
updated
3/26/01



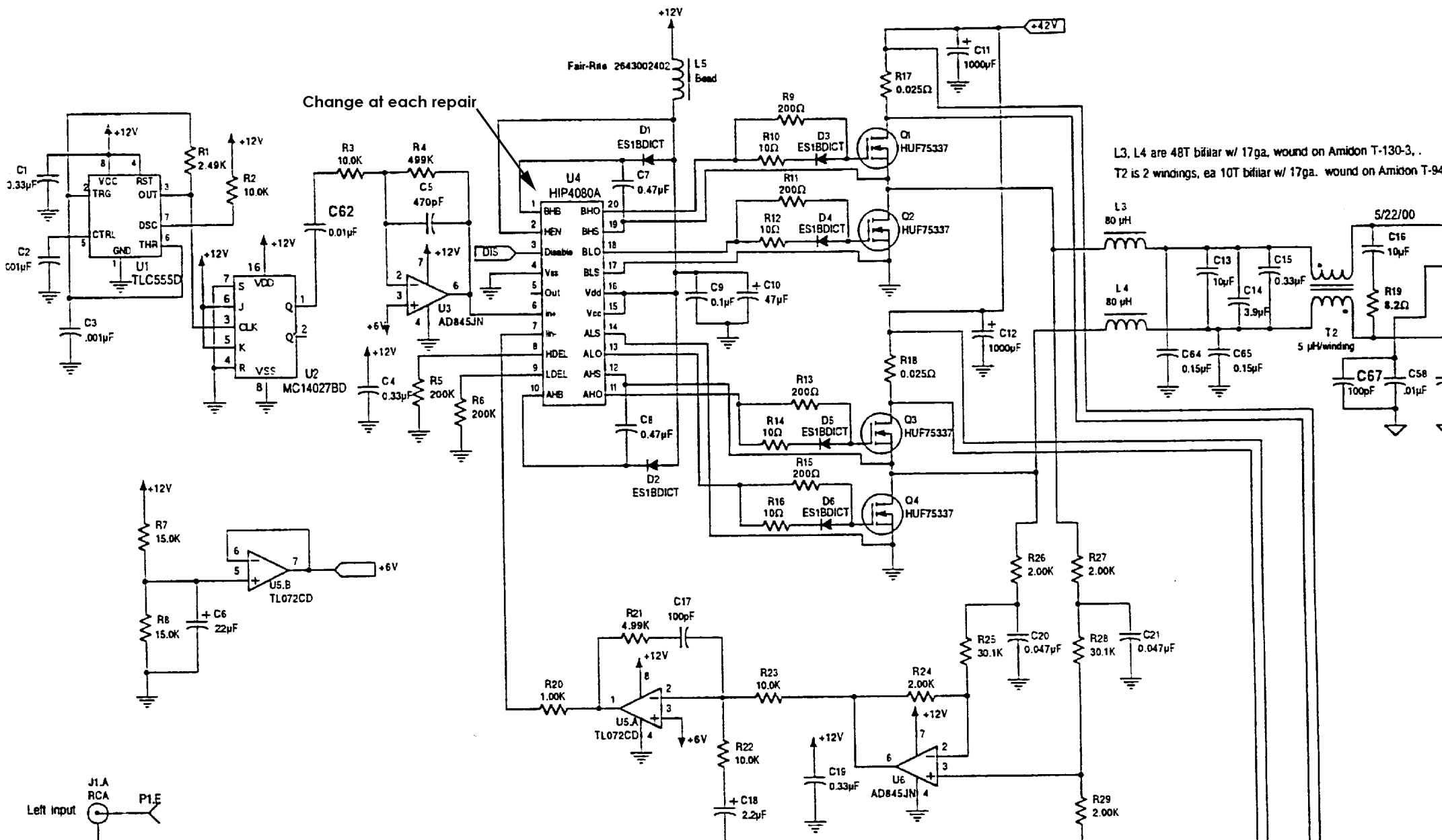
NOTE: Change U4 (HIP4080) every time a repair is performed



Remove C60
Install a 200OHM 3W Resistor in series with a .0047 200VCap.
Connect between points A and B



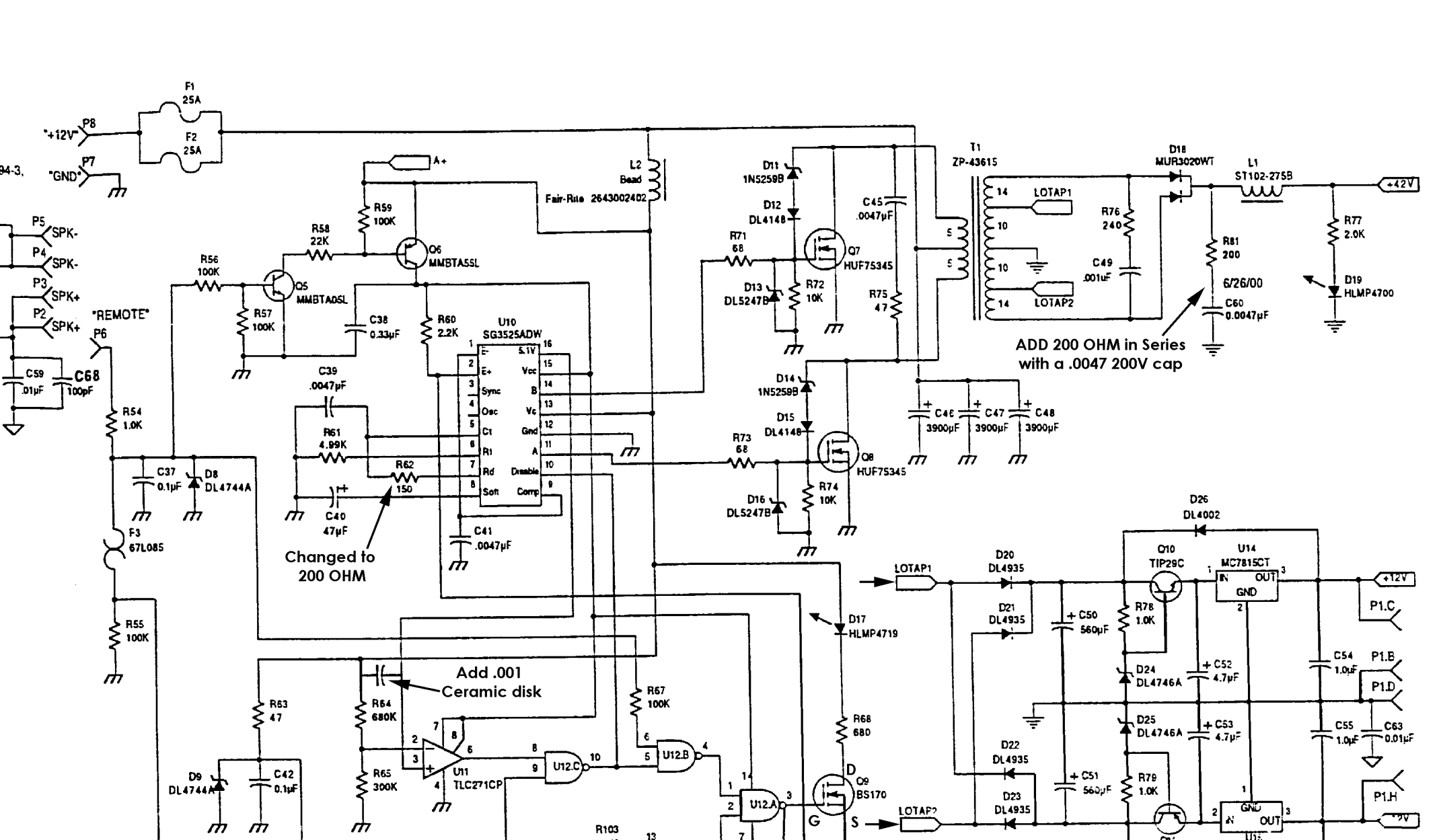
Mod to prevent Protect LED from glowing dimly when remote is off
ADD 100k resistor to Q9

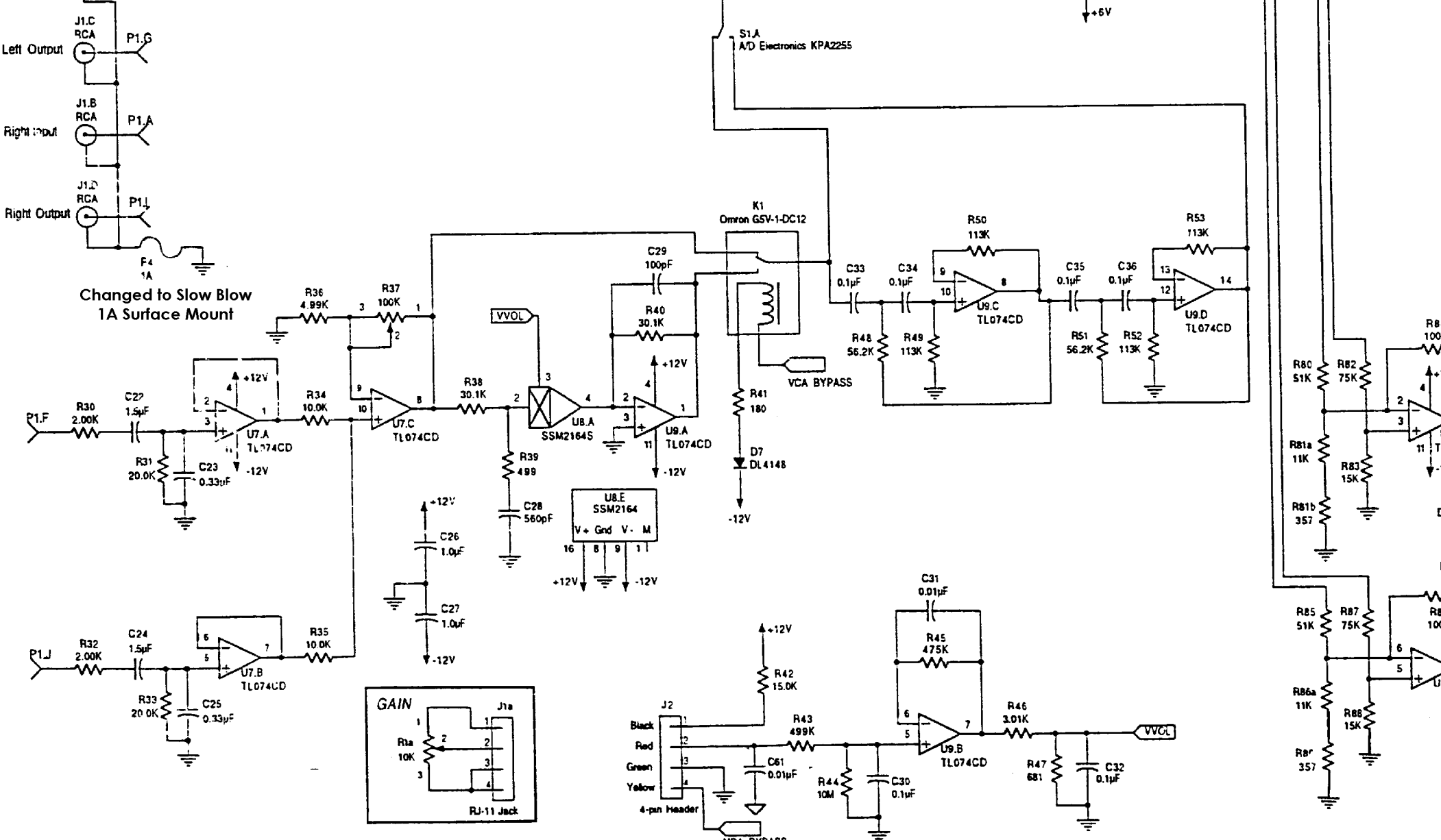


Change at each repair

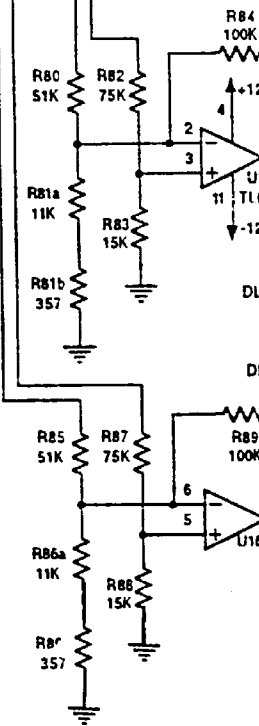
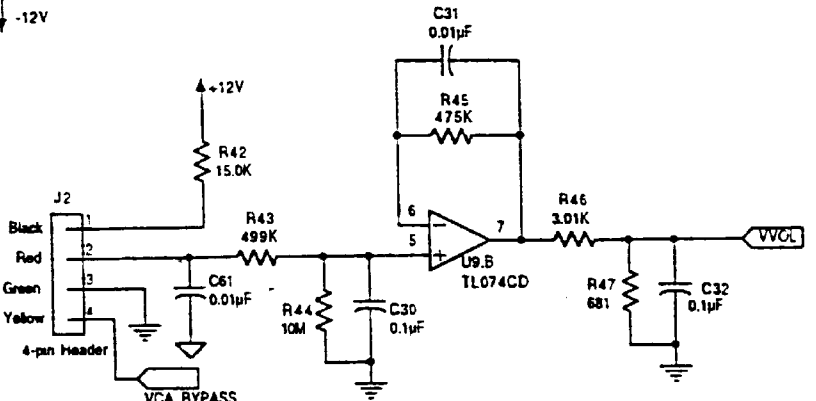
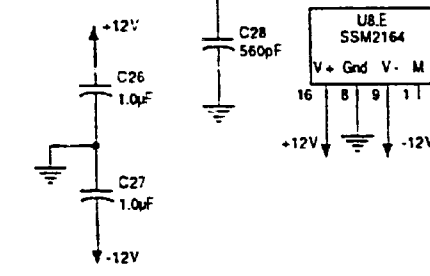
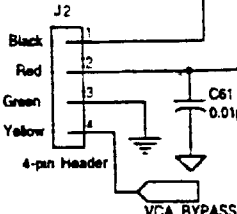
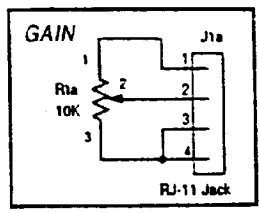
L3, L4 are 48T bifilar w/ 17ga. wound on Amidon T-130-3.
 T2 is 2 windings, ea 10T bifilar w/ 17ga. wound on Amidon T-94

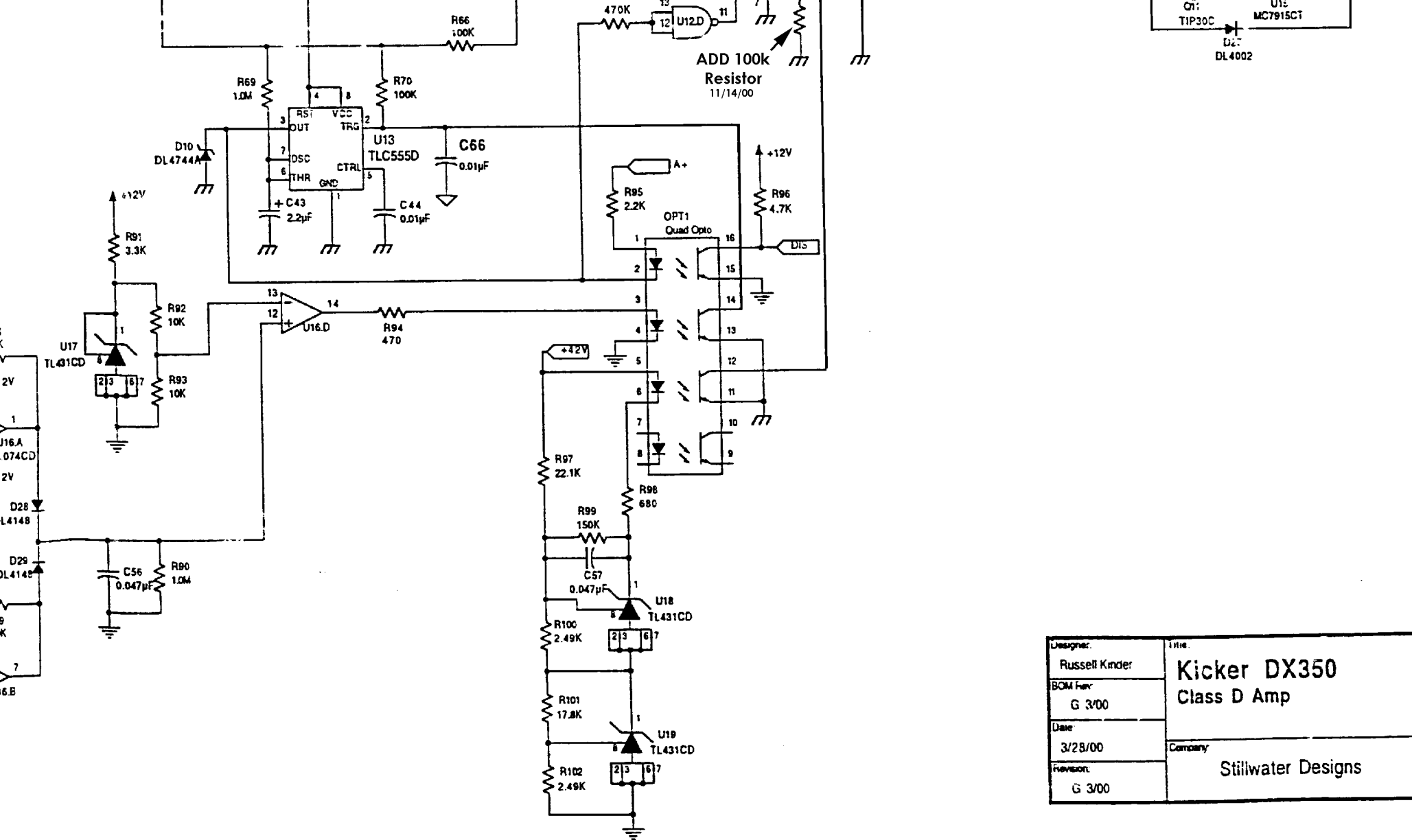
Left input J1.A RCA P1.F





Changed to Slow Blow
1A Surface Mount





Designer:	Russell Kinder	Title:	Kicker DX350 Class D Amp
BOM Rev:	G 3/00	Company:	Stillwater Designs
Date:	3/28/00		
Revision:	G 3/00		