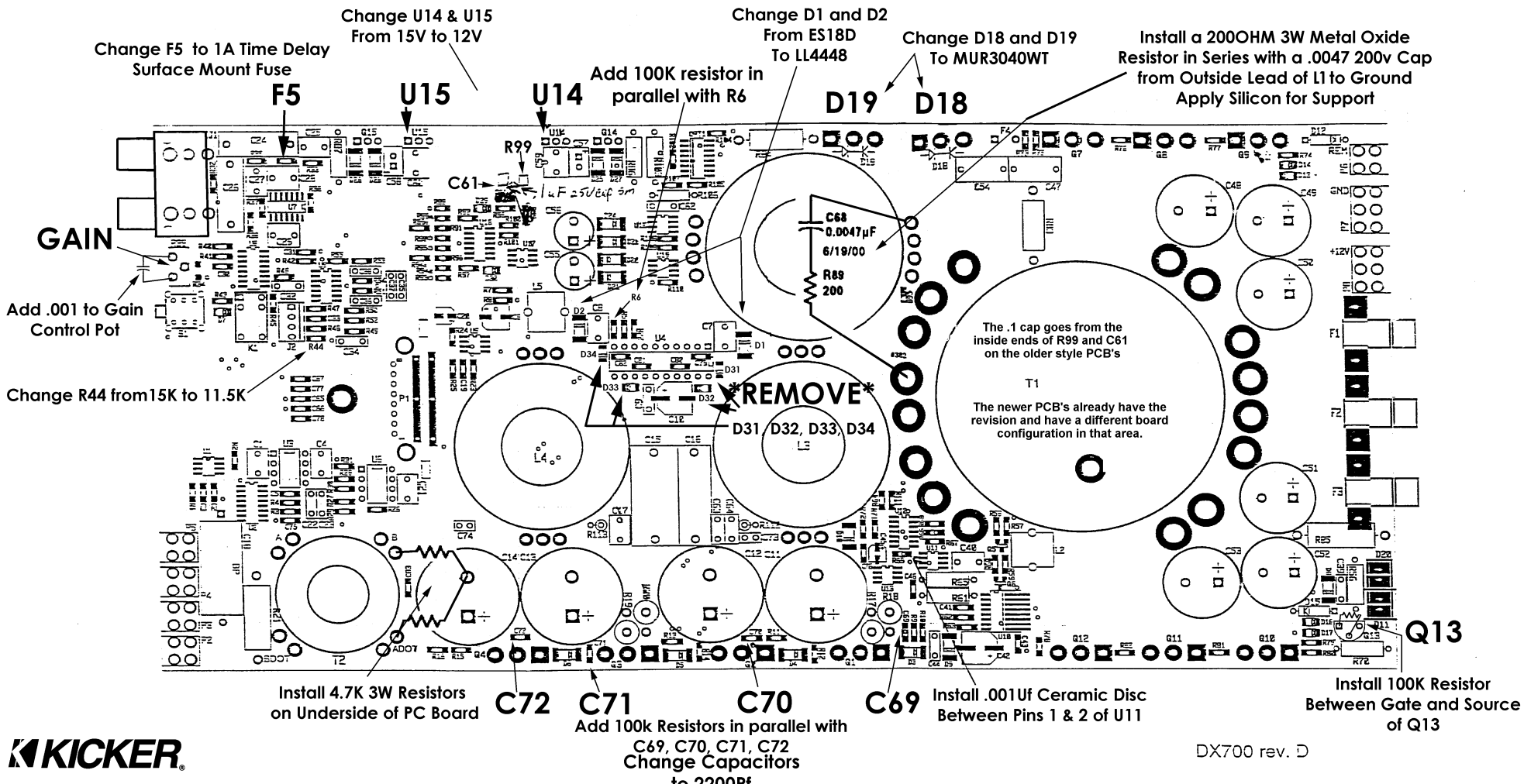


Designer: Russell Kinder	Date: D 3/00
Model: DX700	Company: Stillwater Designz
Date: 3/24/00	Company: Stillwater Designz
Revision: D 3/00	



Change F5 to 1A Time Delay Surface Mount Fuse

Change U14 & U15 From 15V to 12V

Change D1 and D2 From ES18D To LL4448

Change D18 and D19 To MUR3040WT

Install a 200OHM 3W Metal Oxide Resistor in Series with a .0047 200v Cap from Outside Lead of L1 to Ground Apply Silicon for Support

Add 100K resistor in parallel with R6

GAIN
Add .001 to Gain Control Pot

Change R44 from 15K to 11.5K

REMOVE
D31, D32, D33, D34

The .1 cap goes from the inside ends of R99 and C61 on the older style PCB's

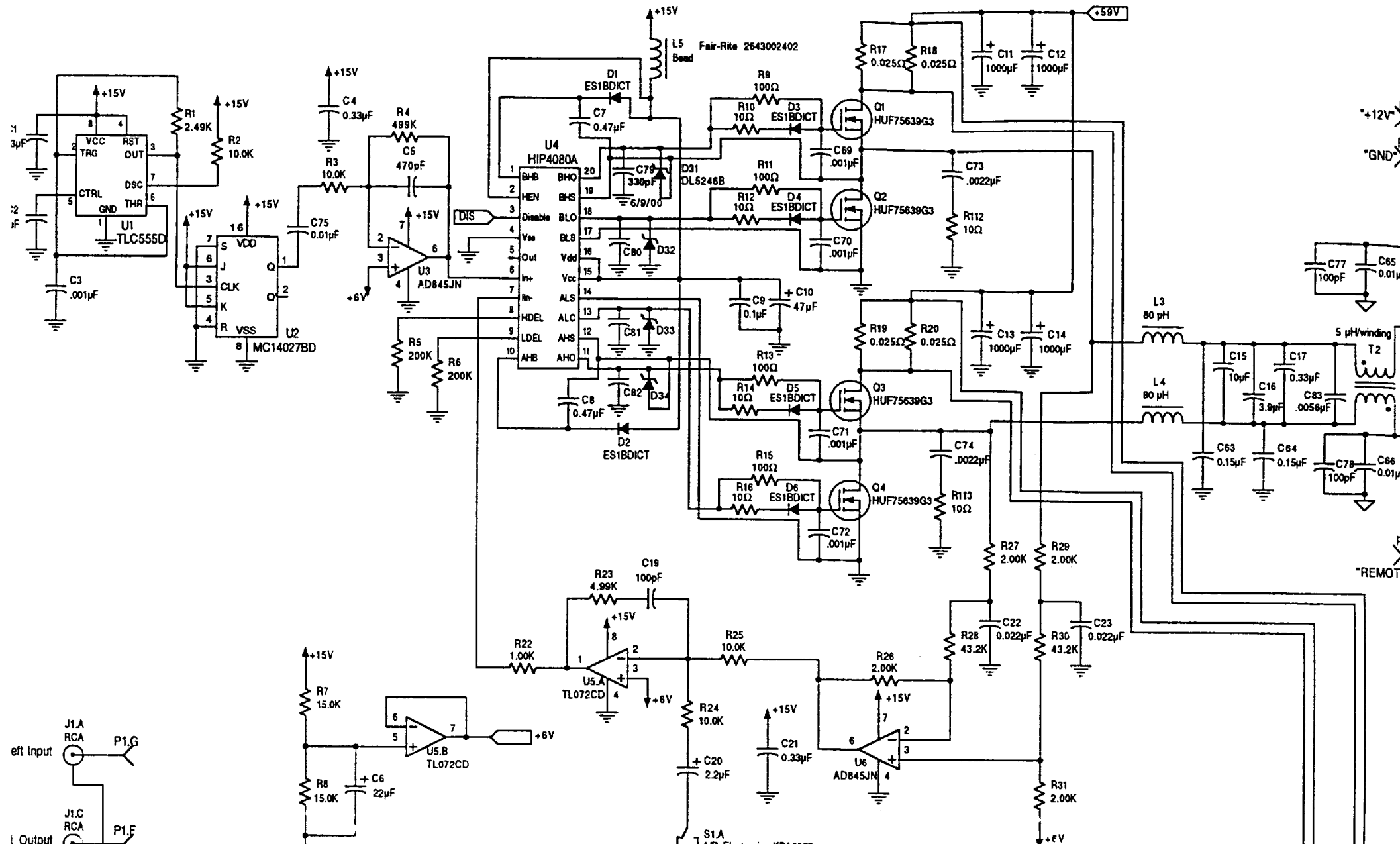
The newer PCB's already have the revision and have a different board configuration in that area.

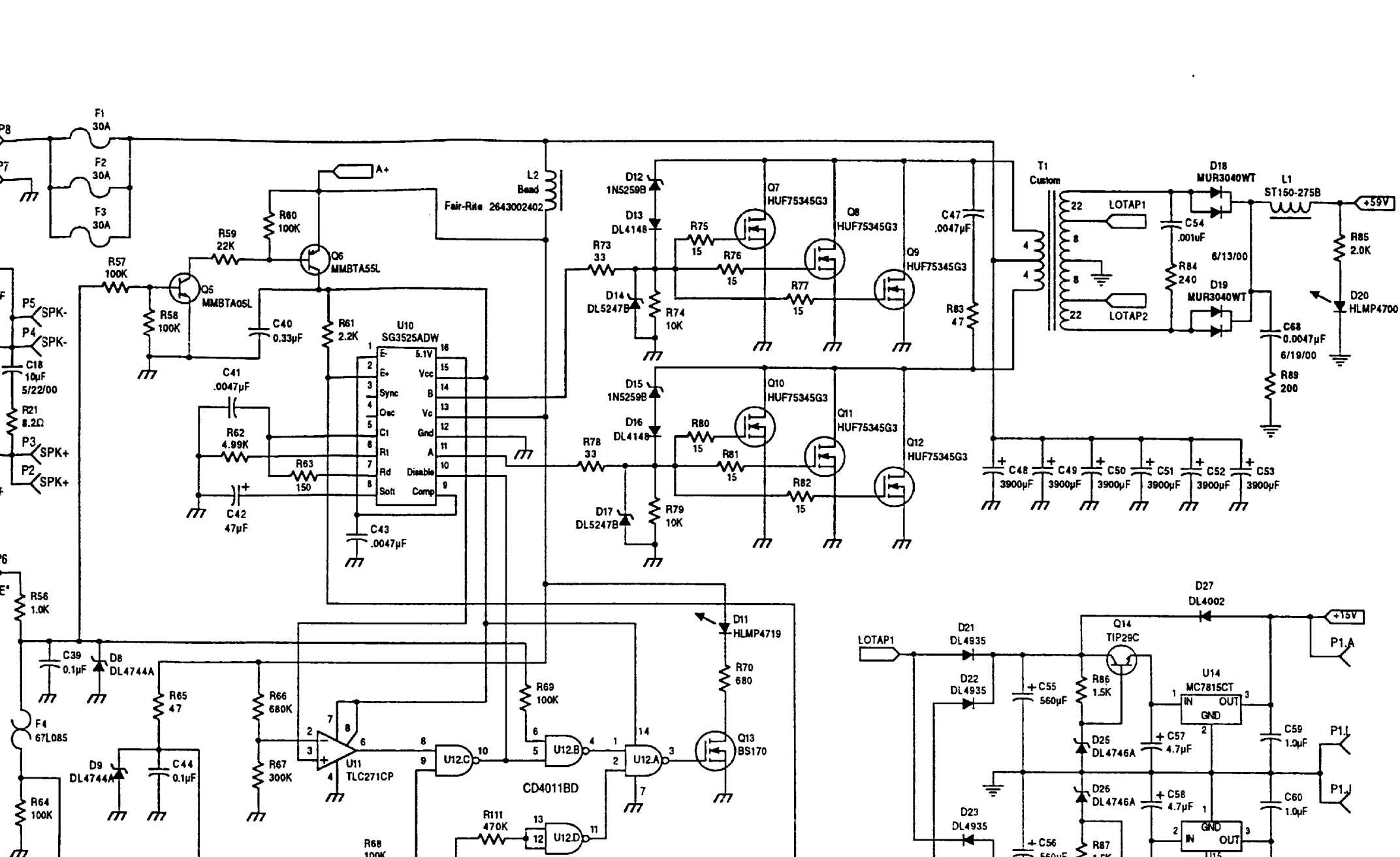
Install 4.7K 3W Resistors on Underside of PC Board

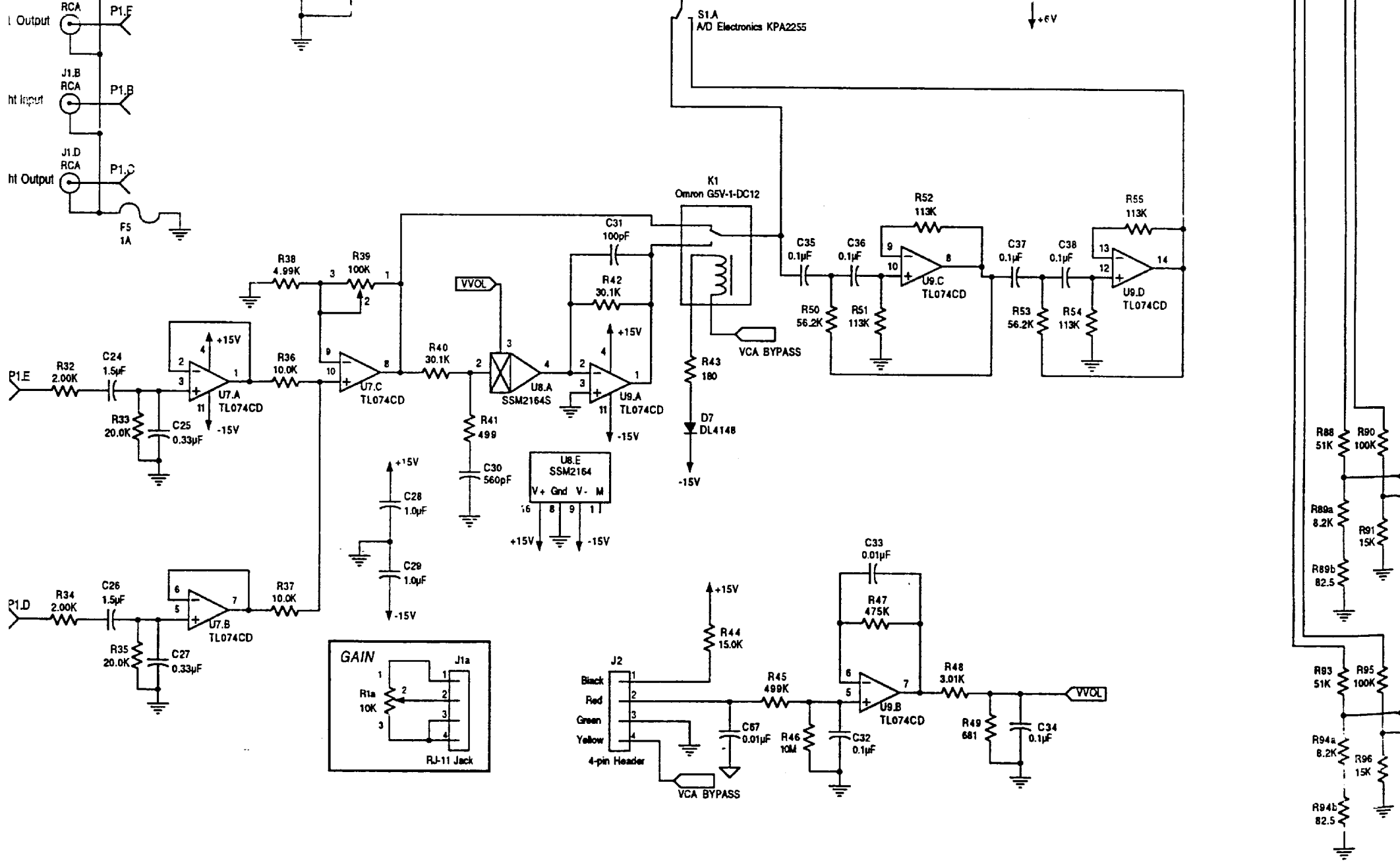
Add 100k Resistors in parallel with C69, C70, C71, C72 Change Capacitors to 2200Pf

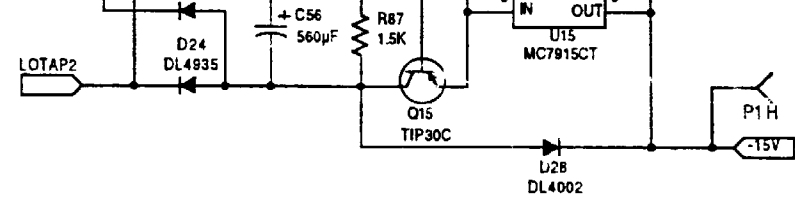
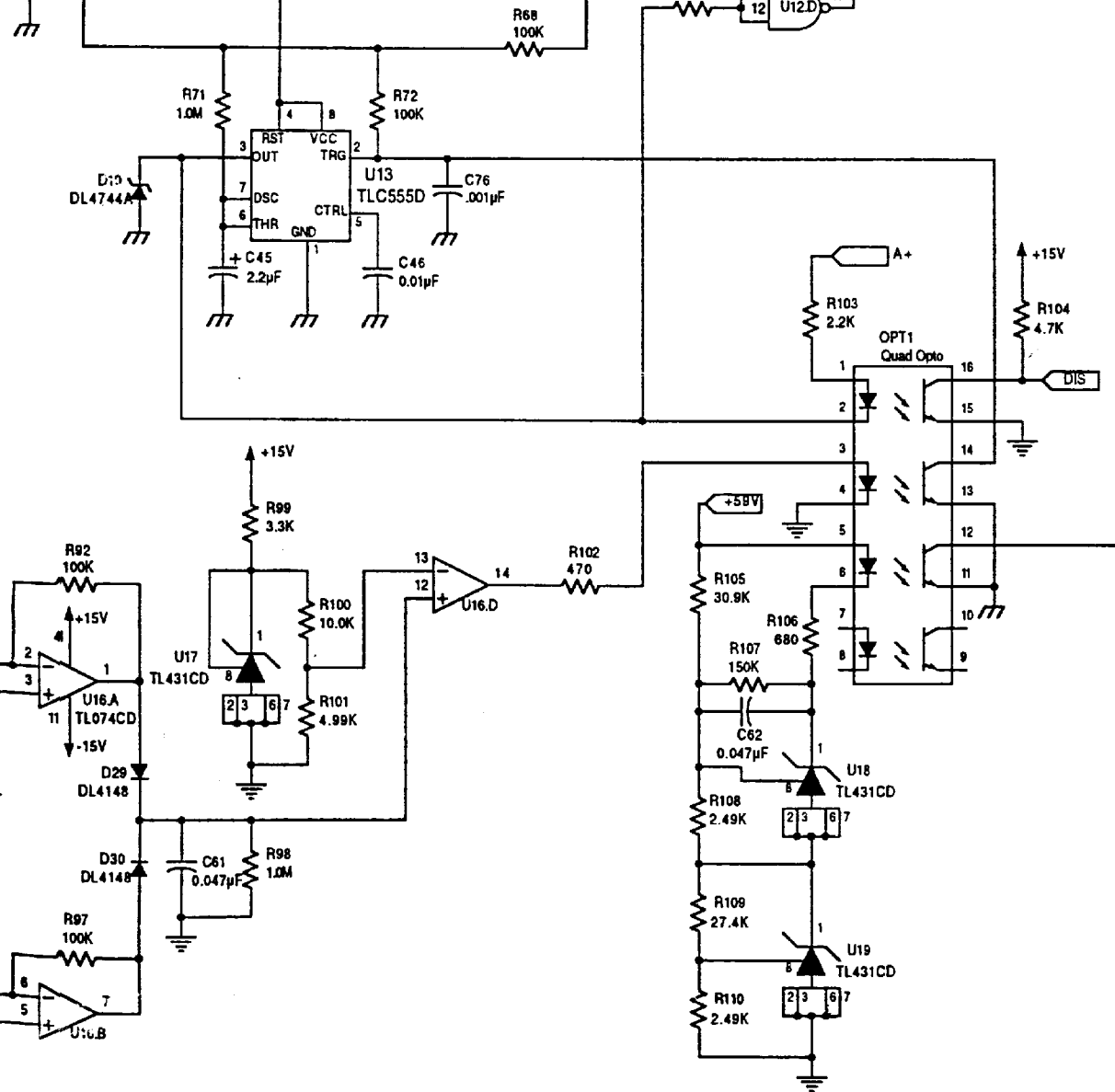
Install .001uF Ceramic Disc Between Pins 1 & 2 of U11

Install 100K Resistor Between Gate and Source of Q13









KICKER®

Designer: Russell Kinder	Title: Kicker DX700 Class D Amp
BOM Rev: D 3/00	
Date: 3/24/00	Company: Stillwater Designs
Revision: D 3/00	

Change F5 to 1A Time Delay
Surface Mount Fuse

Change U14 &
From 15V to

F5

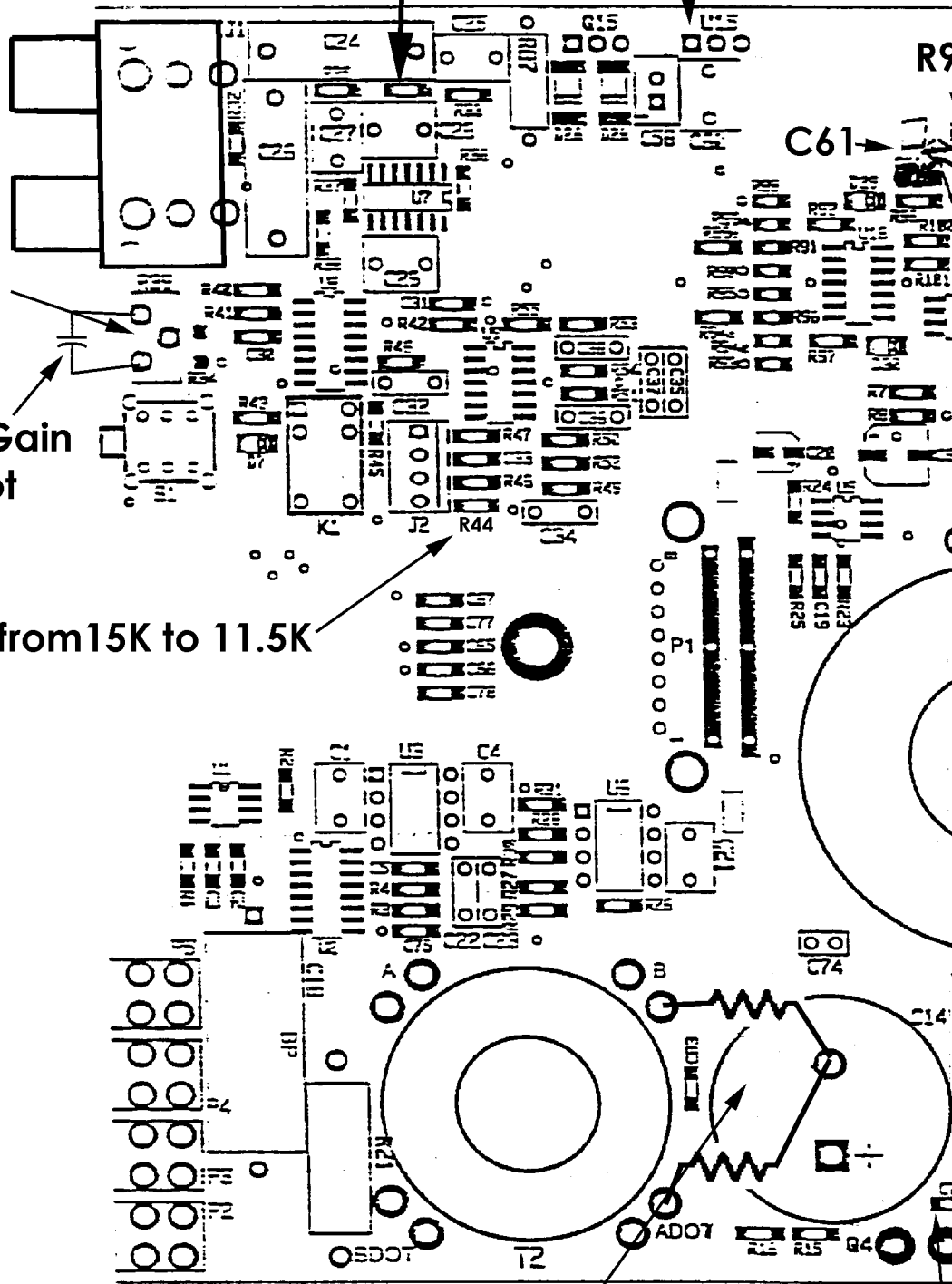
U15

GAIN

Add .001 to Gain
Control Pot

Change R44 from 15K to 11.5K

Install 4.7K 3W Resistors
on Underside of PC Board



& U15
12V

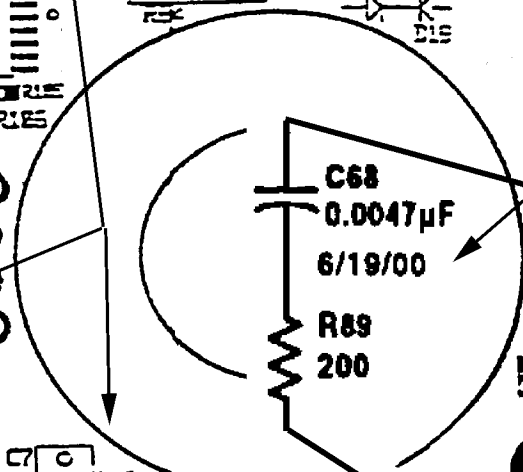
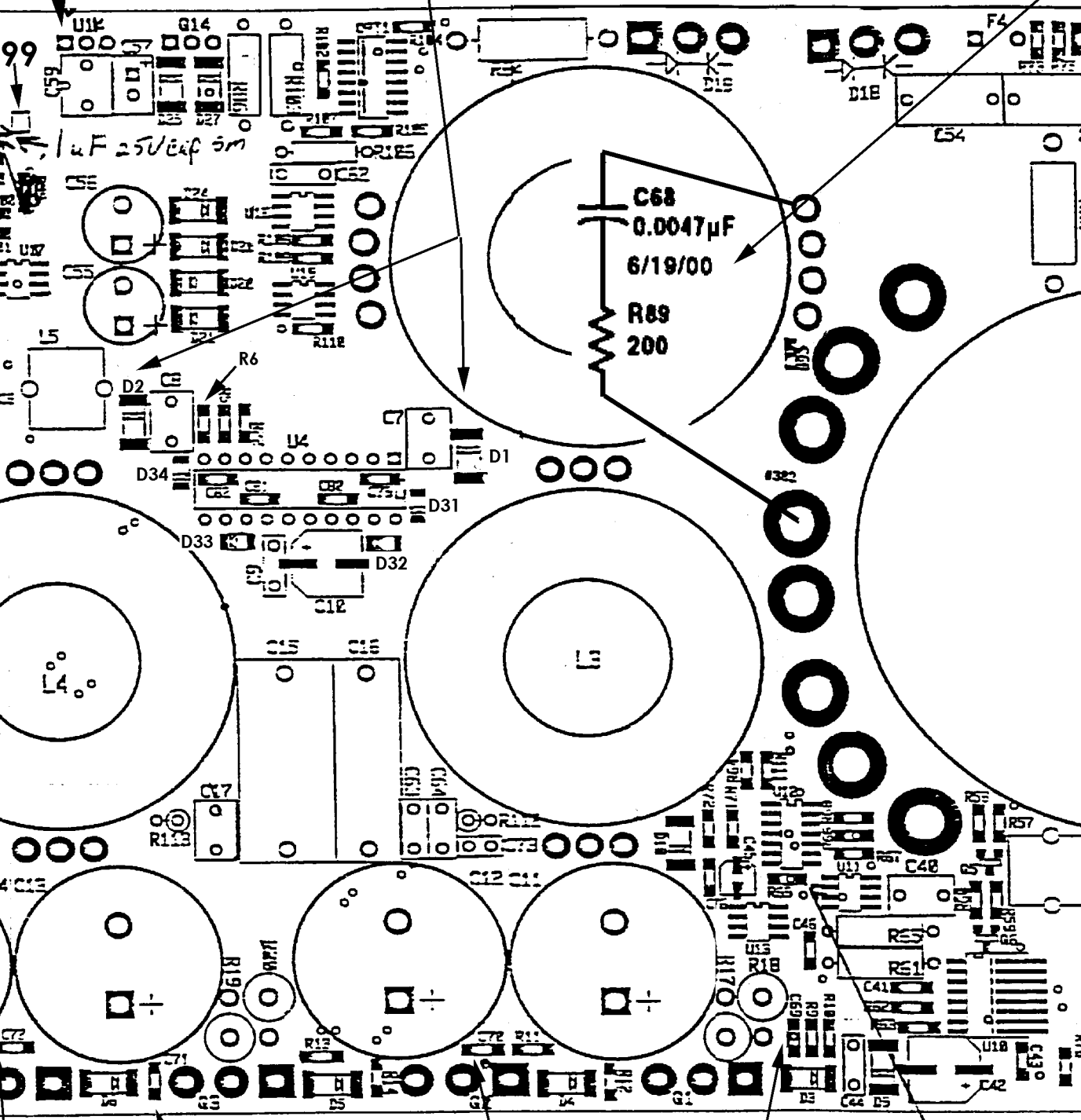
Change D1 and D2
From ES18D
To LL4448

Change D18 and D19
To MUR3040WT

Ins
Resist
from

U14

D19 D18



C72

C71

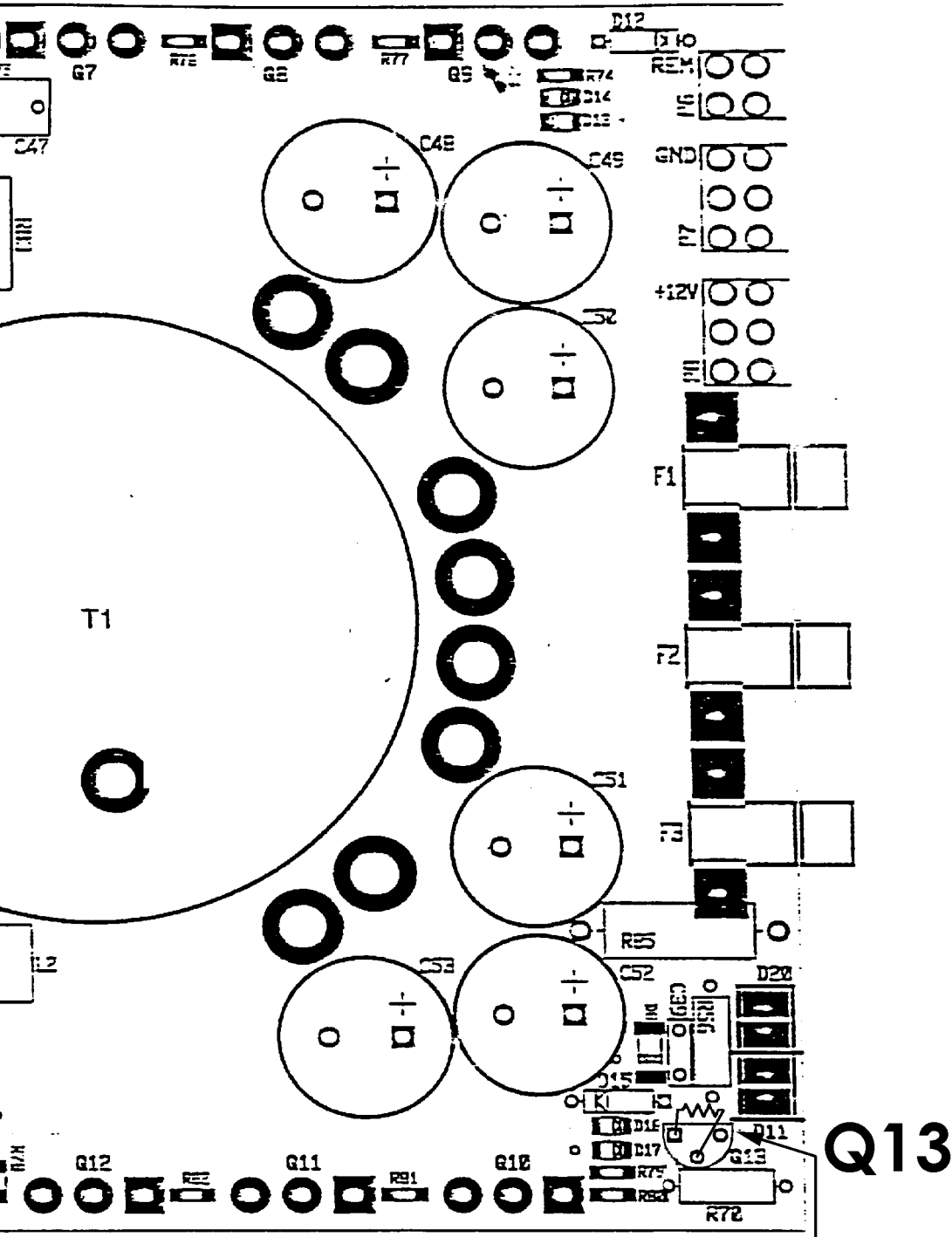
C70

C69

Install .001µF C
Between Pins

Add 100k Resistors in parallel with
C69, C70, C71, C72

Install a 200OHM 3W Metal Oxide Resistor in Series with a .0047 200v Cap from Outside Lead of L1 to Ground
Apply Silicon for Support



Ceramic Disc
s 1 & 2 of U11

Install 100K Resistor
Between Gate and Source
of Q13