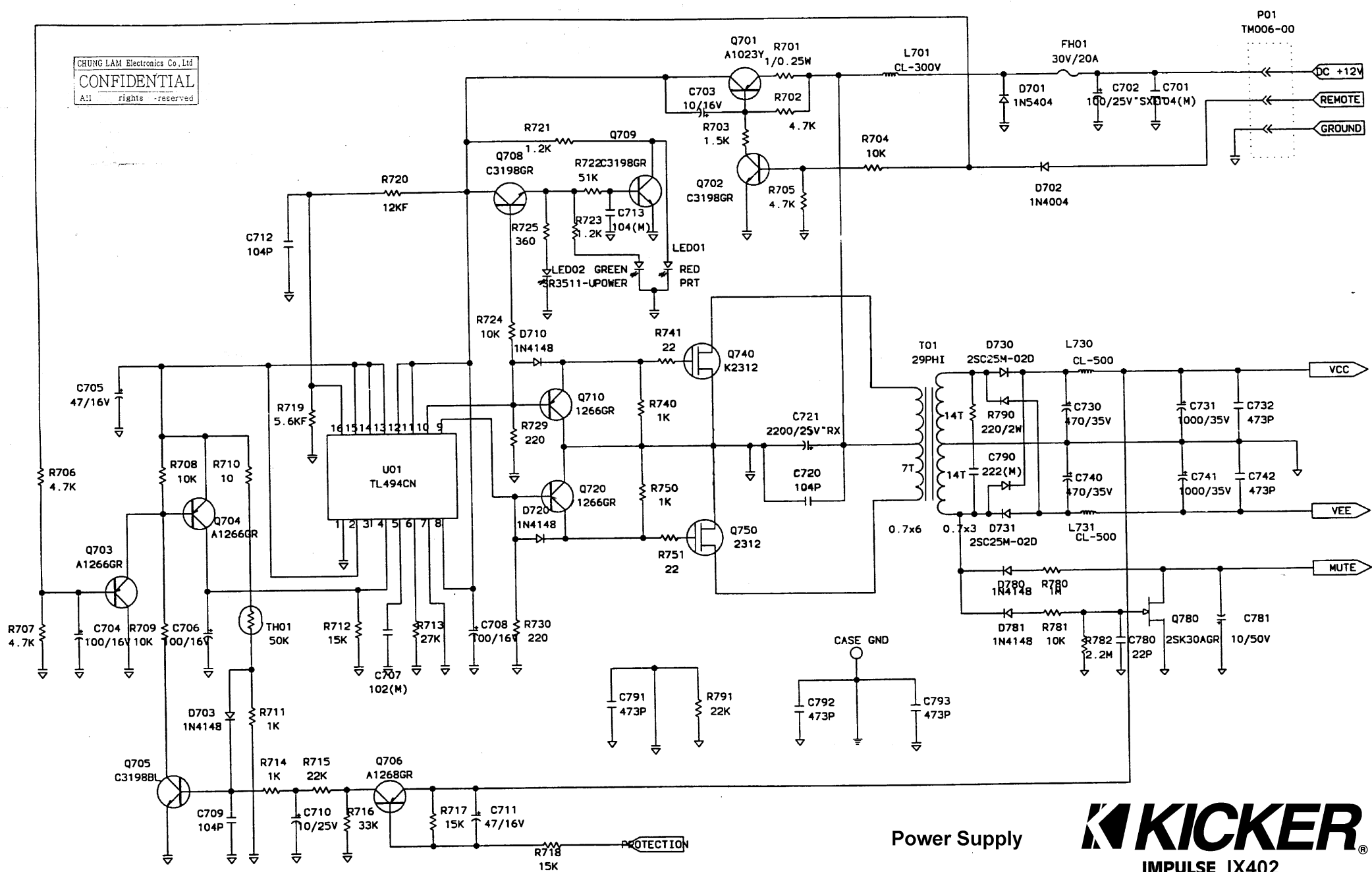


CHUNG LAM Electronics Co., Ltd  
**CONFIDENTIAL**  
 All rights reserved

Amplifier Schematic



CHUNG LAM Electronics Co., Ltd  
**CONFIDENTIAL**  
 All rights reserved



Power Supply

**KICKER**  
 IMPULSE IX402