

INPUT and PREAMP Circuit

Reformatted and edited for professional service by
The Technical Connections
Network

Kicker ZR1000
2 x 250W Amplifier

A+ 14.5V

RIGHT Input from Preamp

LEFT Input from Preamp

GN'D

CHAS

REMOTE

PC

PC

PC

PC

PC

PC

PC

PC

PC

PC

PC

PC

PC

PC

PC

PC

PC

PC

PC

PC

PC

PC

PC

PC

PC

PC

PC

PC

PC

PC

PC

PC

PC

PC

PC

PC

PC

PC

PC

PC

PC

PC

PC

PC

PC

PC

PC

PC

PC

PC

PC

PC

PC

PC

PC

PC

PC

PC

PC

PC

PC

PC

PC

PC

PC

PC

PC

PC

PC

PC

PC

PC

PC

PC

PC

PC

PC

PC

PC

PC

PC

PC

PC

PC

PC

PC

PC

PC

PC

PC

PC

PC

PC

PC

PC

PC

PC

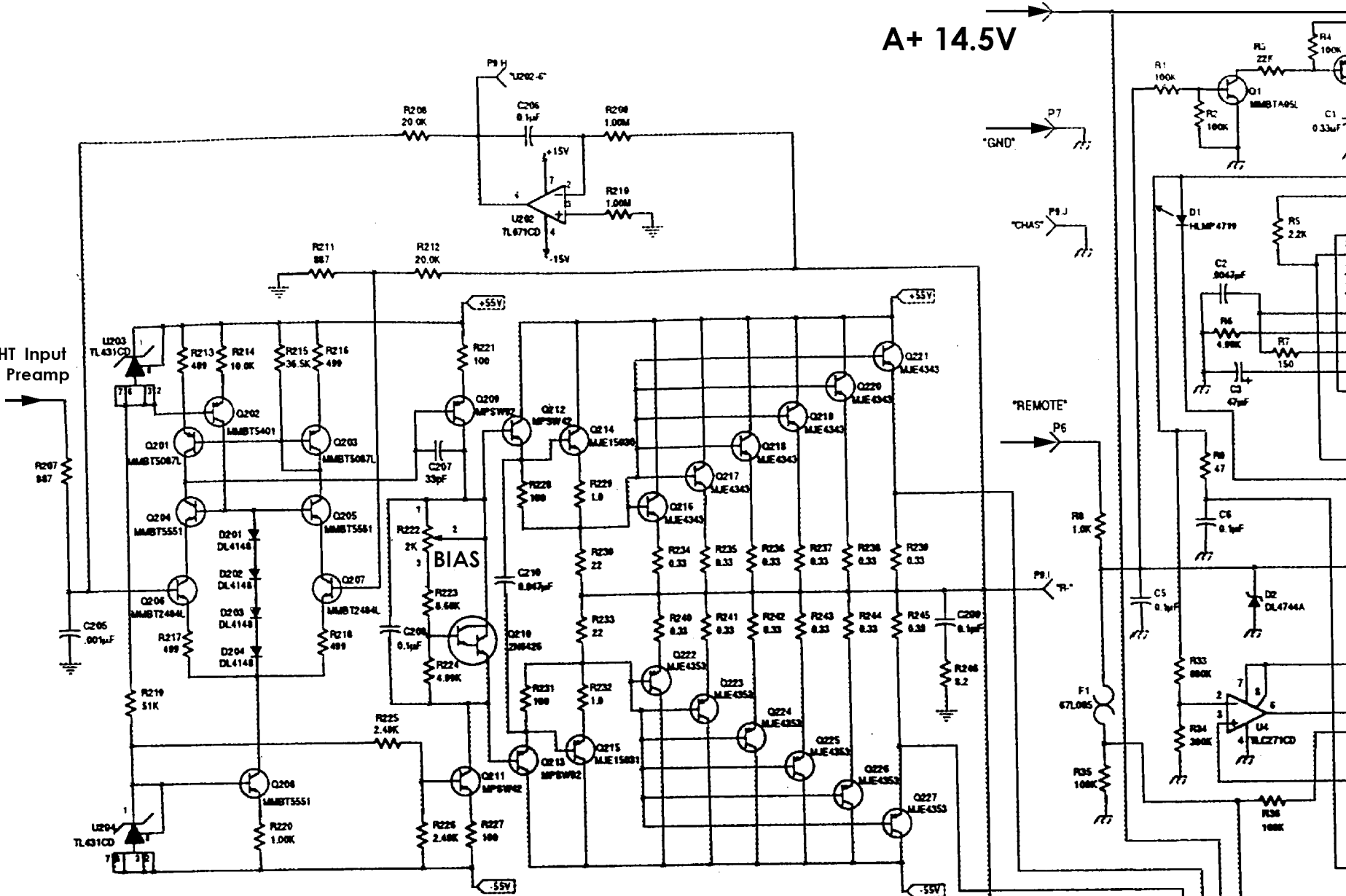
Resistor Pack-Res. & Ind.-A01
as changed to R225, Q107

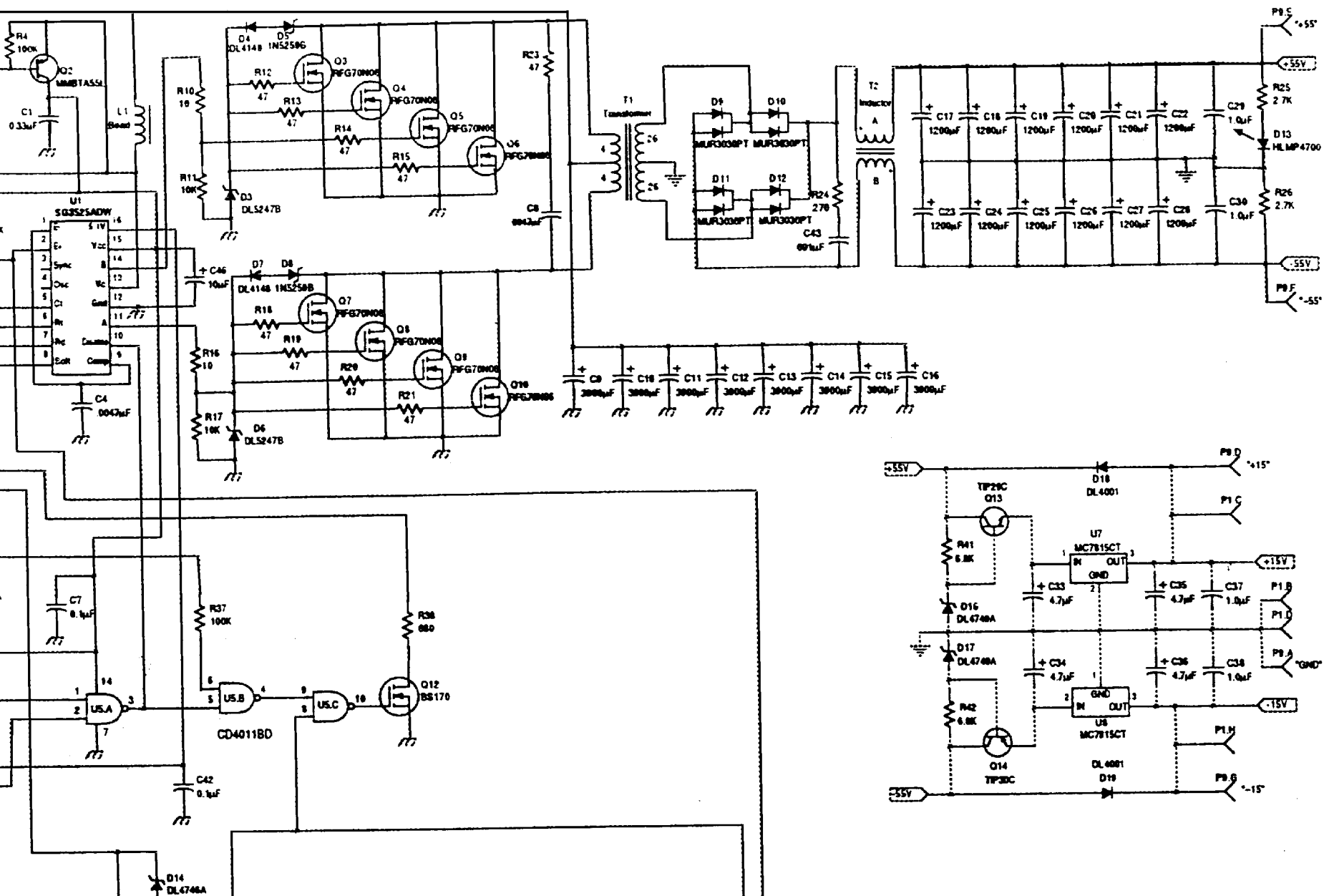
REVISION E LINES SPEAKER IMPEDANCE, AND CAPACITORS C107, C114, C116, & C118

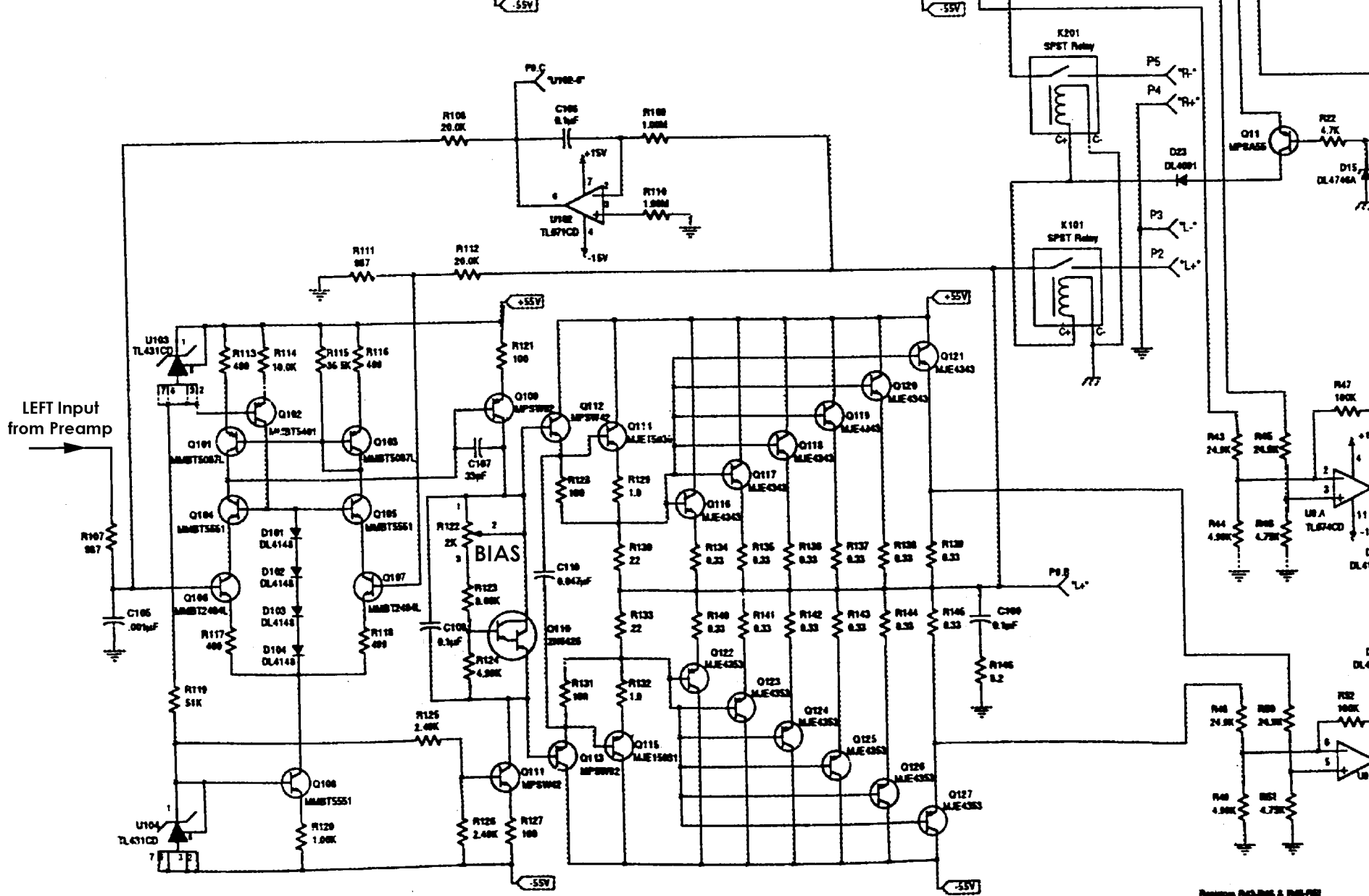
Designer:	PAK / CLPCE	Kicker ZR1000 2 x 250W Amplifier
PCB Fabricator:	E - 987	
Manufacturer:	M/S/1987	
Company:	E - 987	
Sillwater Designs		

A+ 14.5V

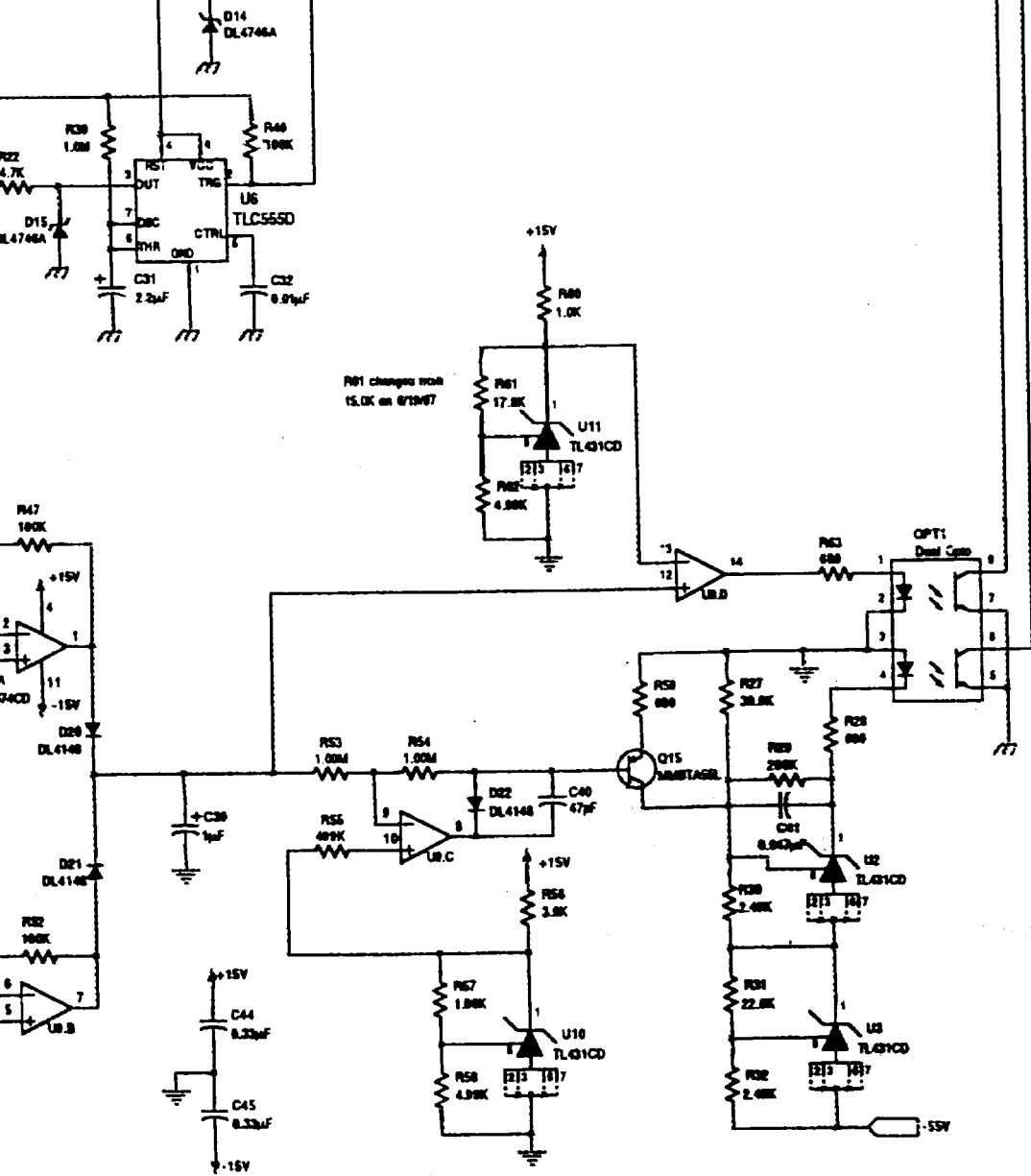
RIGHT Input from Preamp







Revision P43-P45 & P48-P51
 no change to 0.25% 0507



REVISION E USES IMPROVED IMPEDANCE AND CAPACITORS C107, C110, C207, & C210.

Designer: PMK / C/POK	Title: Kicker ZR1000 2 x 250W Amplifier
BOM Rev: E - 047	
Date: 8/25/1987	Company: Stillwater Designs
Revision: E - 047	