

TLX151 USA



SPECIFICATIONS

ACOUSTIC & ELECTRICAL SPECIFICATIONS:

- * Nominal Impedance: 8 ohm
- * Recommended Amp Power: 10-125W
- * Frequency Response: 60 Hz - 20 kHz (-6dB)
- * Sensitivity: 89 dB / 2,83V / 1 m
- * Crossover frequency: 600Hz / 4 kHz

SYSTEM COMPONENTS:

- * Cabinet: CTLX151 USA (Not for sale)
- * Grille: GTLX151 (2407760)
- * Woofer: A0908A 210mm Woofer
Polymer laminate cone
- * Midrange: A0904A 100mm Midrange
Polymer laminate cone

SYSTEM COMPONENTS: (cont'd)

- * Tweeter: TW010MR 10mm
Titanium Dome Tweeter
- * Crossover Network: NTLX151 (2707760)

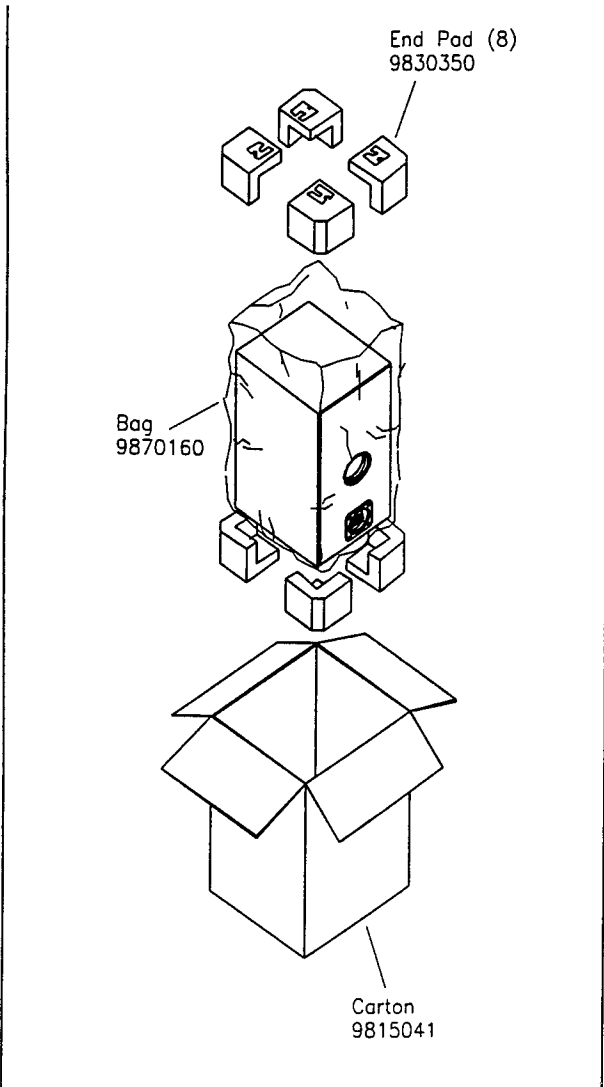
PHYSICAL SPECIFICATIONS:

- * Enclosure Dimensions (H.W.D): 20,9x9,8x12 in. D
(530x250x305mm D)
- * Shipping Weight: 25 lbs. (11.5 kg.)

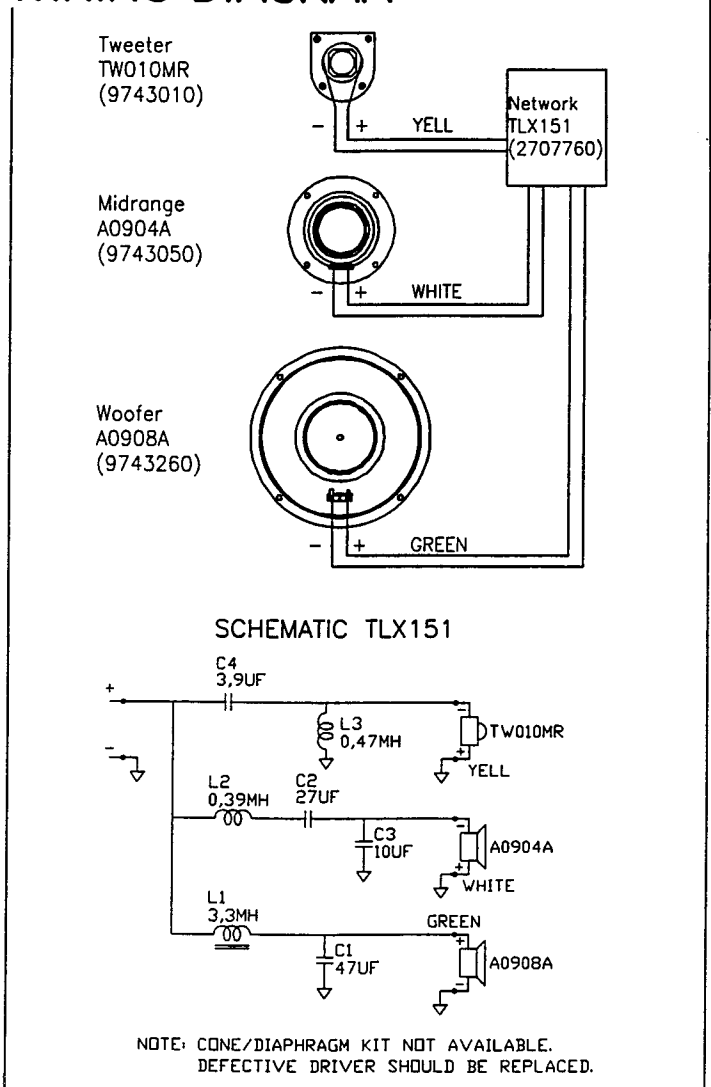
WARRANTY INFORMATION:

- * Refer to the Warranty Statement packed with each product

PACKAGE



WIRING DIAGRAM

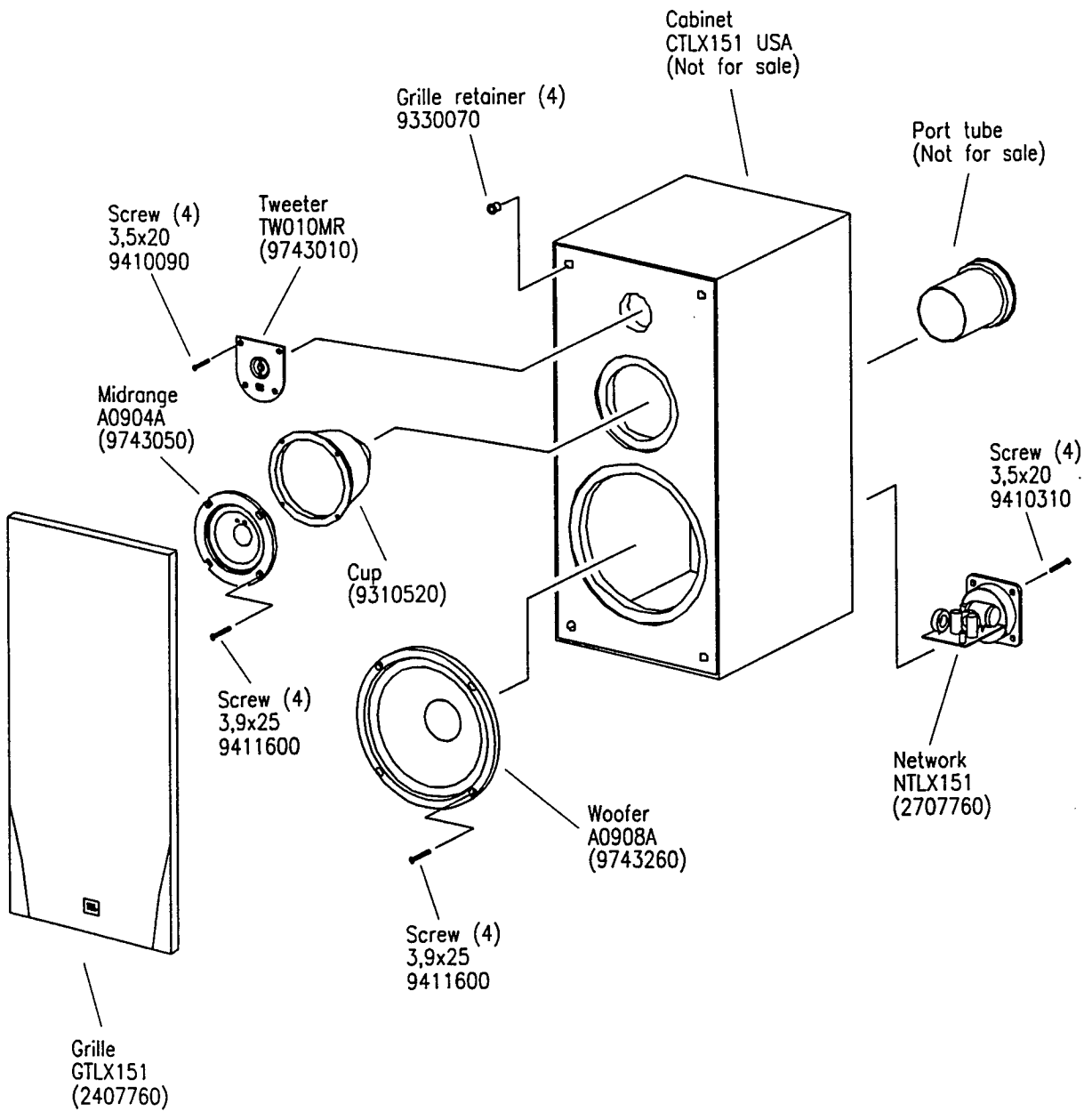


TLX151 USA

Valid from serial no. 01001
Rev. 5/7-1997

TLX151 USA

COMPONENT EXPLODED VIEW



TLX151 USA