

120Ti



SPECIFICATIONS

ACOUSTIC & ELECTRICAL SPECIFICATIONS:

- Rated Impedance: 8 ohms
- Power Range: (Max) 250 Watts
- Frequency Response: 35-27 kHz
- Sensitivity: 89 dB*
- Crossover Frequencies: 900 Hz, 4 kHz

SYSTEM COMPONENTS:

- Cabinet: C120Ti
- Grille: G120Ti
- Low Frequency: 128H-1, 12" Aquaplas Laminate

SYSTEM COMPONENTS: (cont'd)

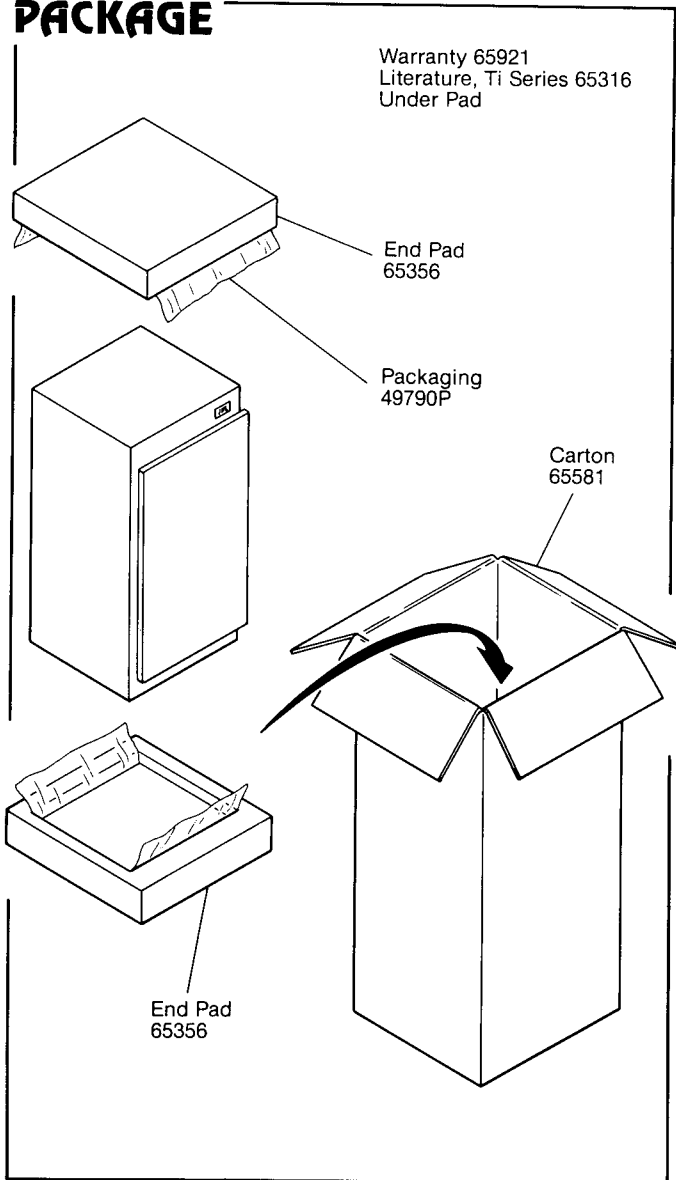
- Mid Range Frequency: 104H, 5" Filled Polypropylene
- High Frequency: 044Ti, 1" Titanium Dome
- Crossover Network: N120Ti, 3 Way

PHYSICAL SPECIFICATIONS:

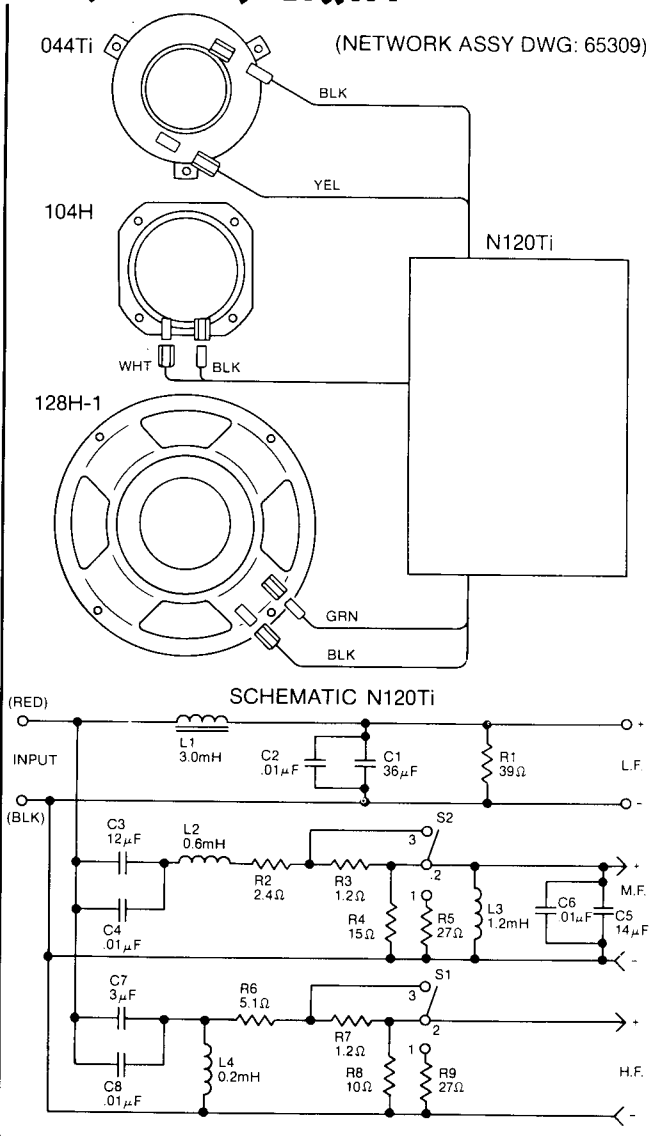
- Enclosure Dimensions: 24.5 x 14.25 x 11.0 (Inch)
- Shipping Weight: 56 lbs.

*SPL, 2.83V @ 1m

PACKAGE



WIRING DIAGRAM

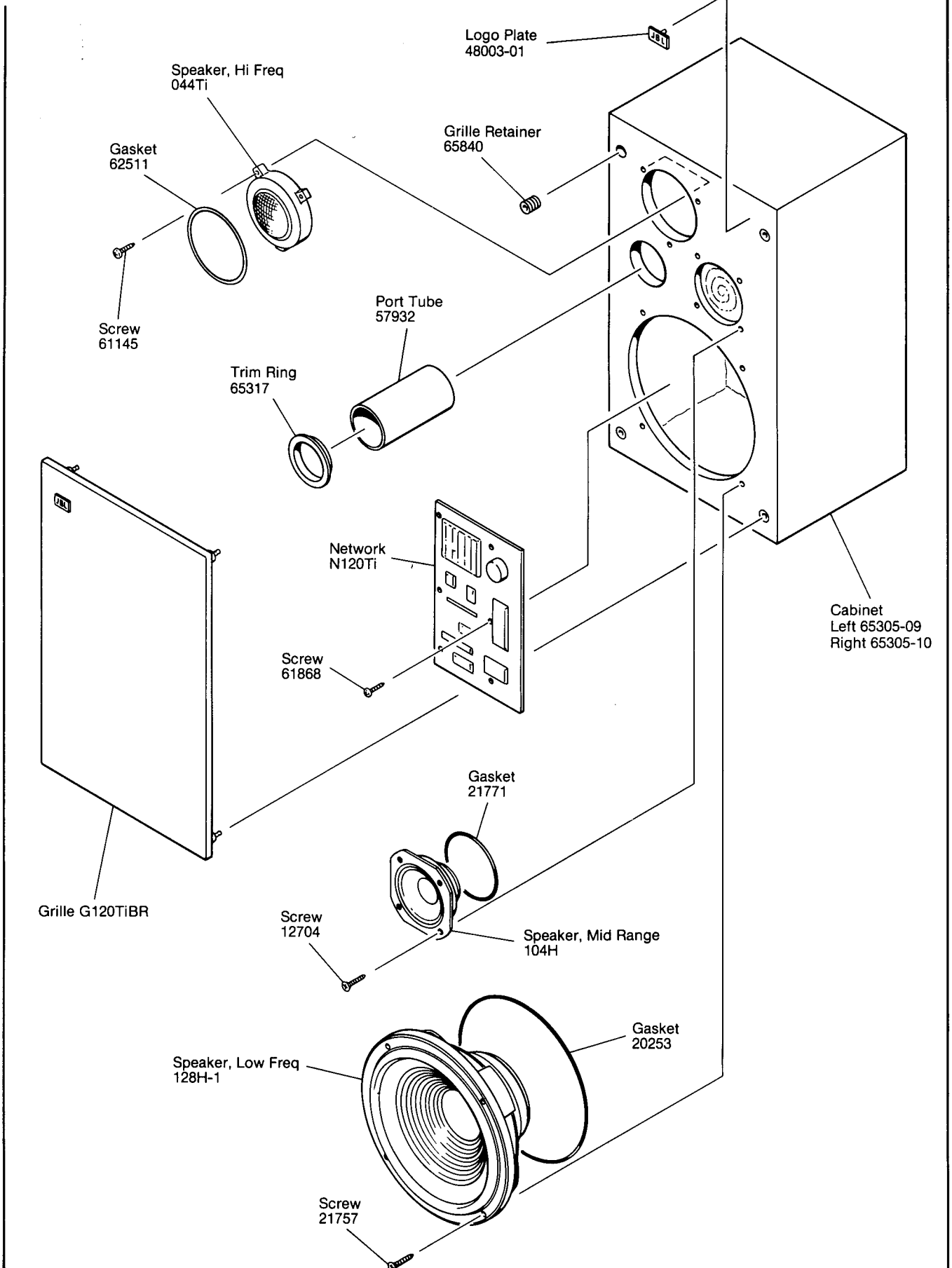


120Ti REV A

DRIVER	TEST VOLTAGE	SWEEP FREQUENCY	GAP GAUGE	DCR MIN-MAX.
044Ti	2.83	2KHZ-20KHZ	.031"	3.6-4.4 OHMS
104H	4	7.5KHZ-12KHZ	.044"	3.8-4.6 OHMS
128H-1	6	20HZ-1.2KHZ	.053"	5.1-6.3OHMS

120Ti

COMPONENT EXPLODED VIEW



120Ti