

SPECIFICATIONS

ACOUSTIC & ELECTRICAL SPECIFICATIONS:

- Rated Impedance: 8 ohms
- Power Range: (Max) 200 Watts
- Frequency Response: 45-27 kHz
- Sensitivity: 88 dB*
- Crossover Frequencies: 3 kHz

SYSTEM COMPONENTS:

- Cabinet: C18Ti
- Grille: G18Ti
- Low Frequency: 115H-1, 6½" Filled Polypropylene

SYSTEM COMPONENTS: (cont'd)

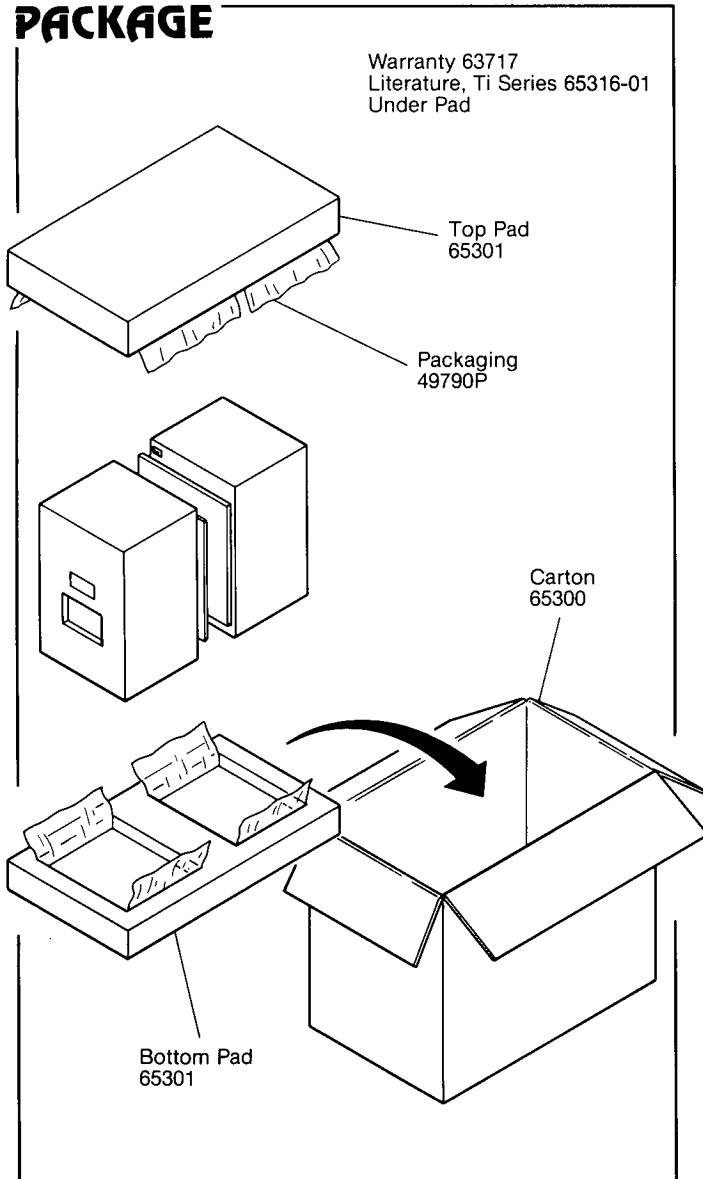
- High Frequency: 044Ti, 1" Titanium Dome
- Crossover Network: N18Ti, 2 Way

PHYSICAL SPECIFICATIONS:

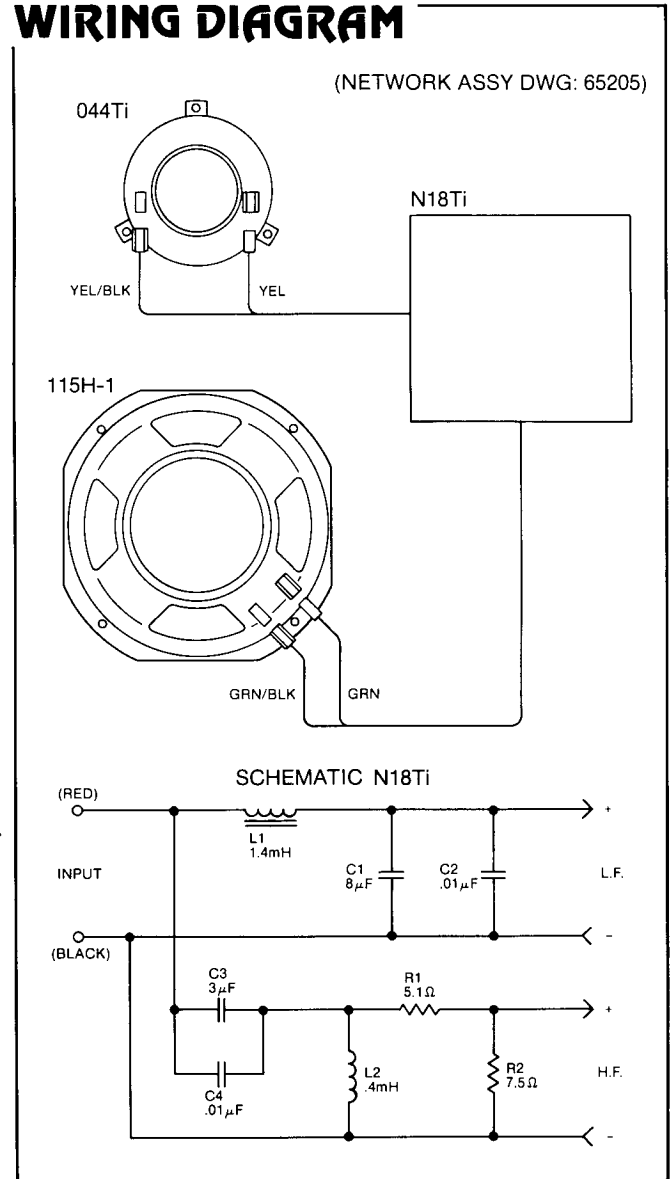
- Enclosure Dimensions: 14.75 x 9.375 x 7.187 (Inch)
- Shipping Weight: 17½ lbs.

*SPL, 2.83V @ 1m

PACKAGE



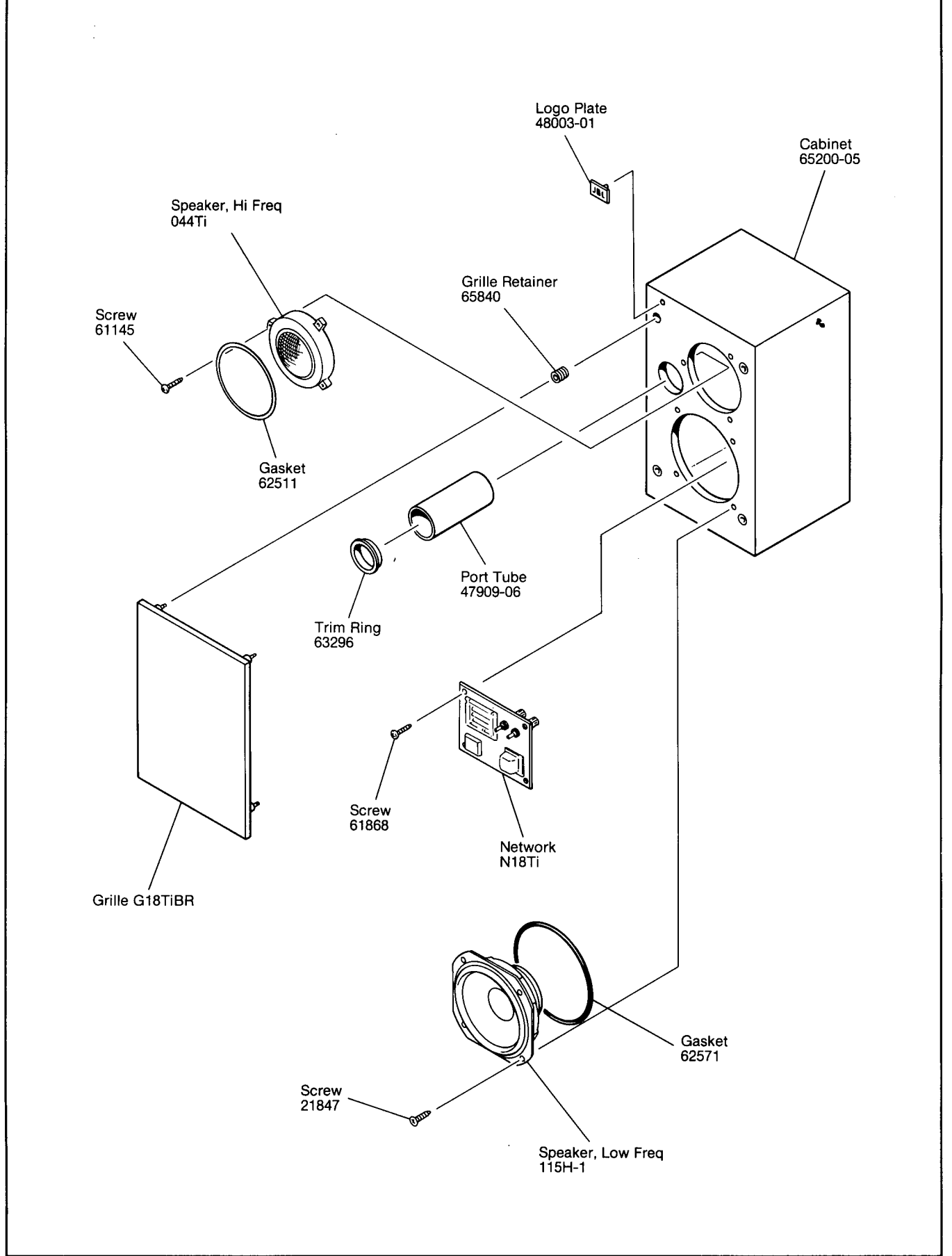
WIRING DIAGRAM



DRIVER	TEST VOLTAGE	SWEEP FREQUENCY	GAP GAUGE	DCR MIN-MAX.
044Ti	2.83	2KHZ-20KHZ	.031"	3.6-4.4 OHMS
115H-1	6	20HZ-1.2KHZ	.057"	3.8-4.6 OHMS

18Ti

COMPONENT EXPLODED VIEW



18Ti