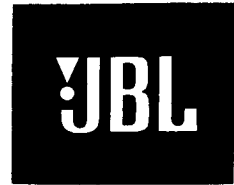


# Technical Manual



# JBL 2123H/J

## SPECIFICATIONS

### ACOUSTIC & ELECTRICAL SPECIFICATIONS:

- Nominal Impedance: 8 ohm (H) / 16 ohm (J)
- Power Capacity: 250W Continuous Pink Noise
- Frequency Range: 80 Hz to 6 kHz
- Sensitivity: 101 dB SPL\*
- Crossover Frequencies: N/A

### SYSTEM COMPONENTS:

- Cabinet: N/A
- Grille: N/A
- Mid Range Transducer: 250mm (10 in.) Cone Transducer
- DC Resistance: 4.2 ohm  $\pm$ 10% Aluminum Wire (H)  
8.7 ohm  $\pm$ 10% Aluminum Wire (J)

### AURAL SWEEP TEST SPECIFICATIONS:

- A. L.F. Aural Sweep Test: 6.0V Input, 20 Hz to 1.2 kHz

### PHYSICAL SPECIFICATIONS:

- Enclosure Dimensions: 261mm x 261mm x 111mm D  
(10.25 x 10.25 x 4.375 in. D)
- Shipping Weight: 13 lbs. (5.9 kg)

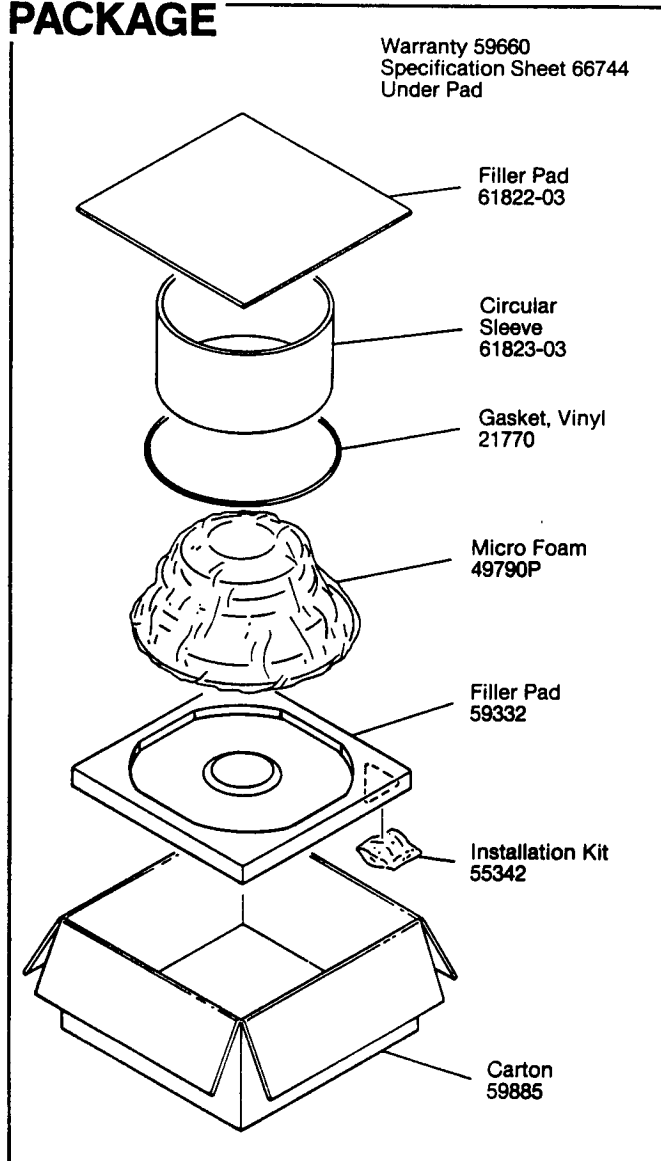
### WARRANTY INFORMATION:

- Refer to the Warranty Statement packed with each product.

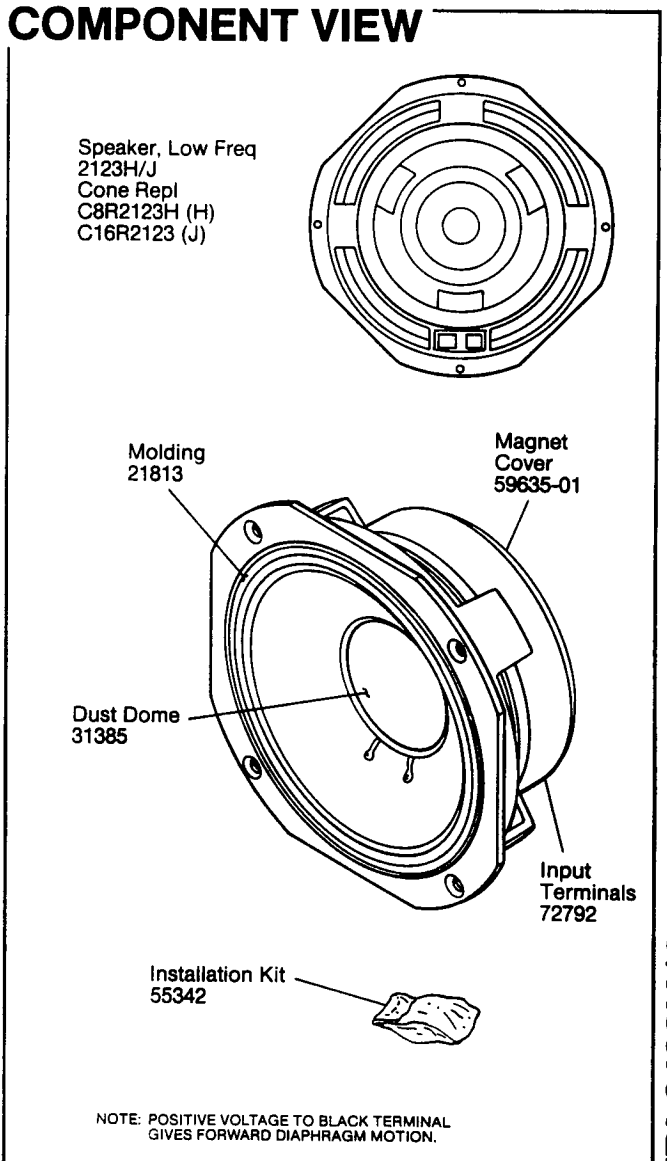
\*1 Watt (2.83 V RMS) @ 1 Meter (H)

\*1 Watt (4.0 V RMS) @ 1 Meter (J)

## PACKAGE



## COMPONENT VIEW

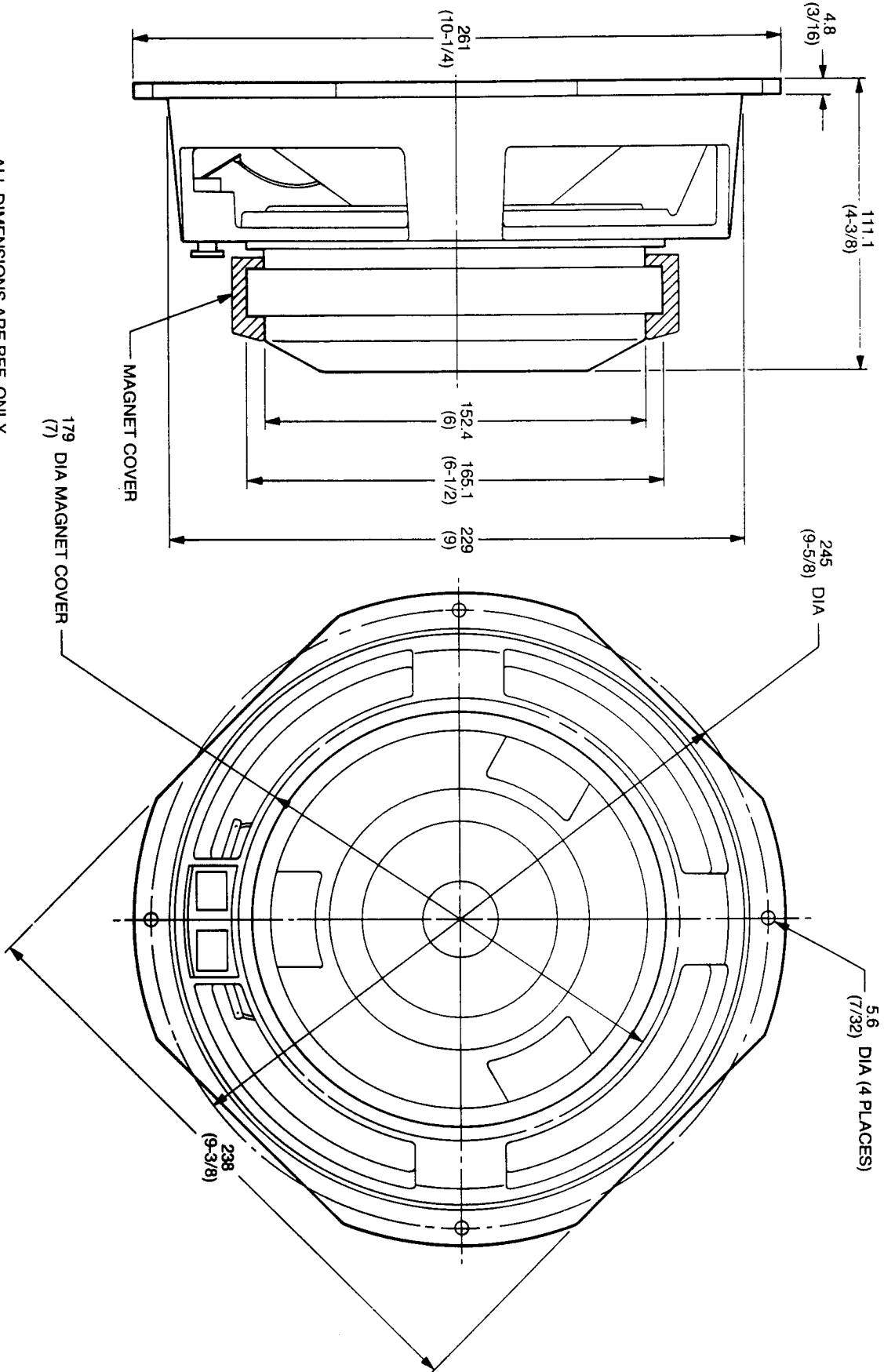


JBL 2123H/J REV B

# JBL2123H/J

## MECHANICAL DRAWING

THESE DRAWINGS AND SPECIFICATIONS ARE THE PROPERTY OF JBL INCORPORATED. THEY ARE ISSUED UNDER THE COMPROMISE AND SHALL BE KEPT CONFIDENTIAL. NO PARTS OR MATERIALS SHALL BE REPRODUCED OR SALE OF APPARATUS WITHOUT WRITTEN PERMISSION.



ALL DIMENSIONS ARE REF. ONLY

NOTE: DIMENSIONS IN ( ) ARE IN INCHES