

Technical Manual



JBL2202H/J

SPECIFICATIONS

ACOUSTIC & ELECTRICAL SPECIFICATIONS:

- Nominal Impedance: 8 ohm (H)
16 ohm (J)
- Power Capacity: 300W Continuous Program
- Frequency Range: 60 Hz to 4 kHz
- Sensitivity: 99 dB SPL*
- Crossover Frequencies: N/A

SYSTEM COMPONENTS:

- Cabinet: N/A
- Grille: N/A
- Low Frequency Transducer: 300mm (12 in.) Cone Transducer (2202H/J)

*1 Watt (2.83 V RMS) @ 1 Meter

SYSTEM COMPONENTS: (cont'd)

- DC Resistance: 5.3 ohm \pm 10% Aluminum Wire (H)
13.3 ohm \pm 10% Copper Wire (J)

AURAL SWEEP TEST SPECIFICATIONS:

- A. System Aural Sweep Test: 7.0V Input, 20 Hz to 20 kHz
- B. L.F. Aural Sweep Test: 10.0V Input, 20 Hz to 1.2 kHz

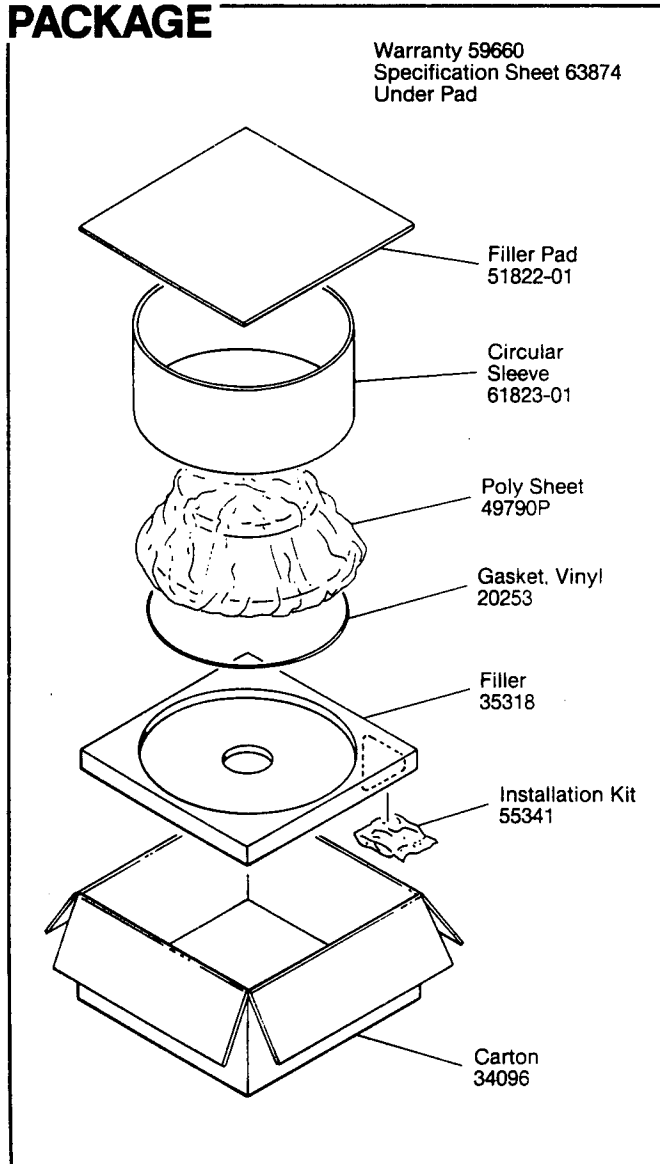
PHYSICAL SPECIFICATIONS:

- Enclosure Dimensions: 311mm x 311mm x 121mm D
(12.25 x 12.25 x 4.75 in. D)
- Shipping Weight: 21-7/8 lbs. (9.9 kg)

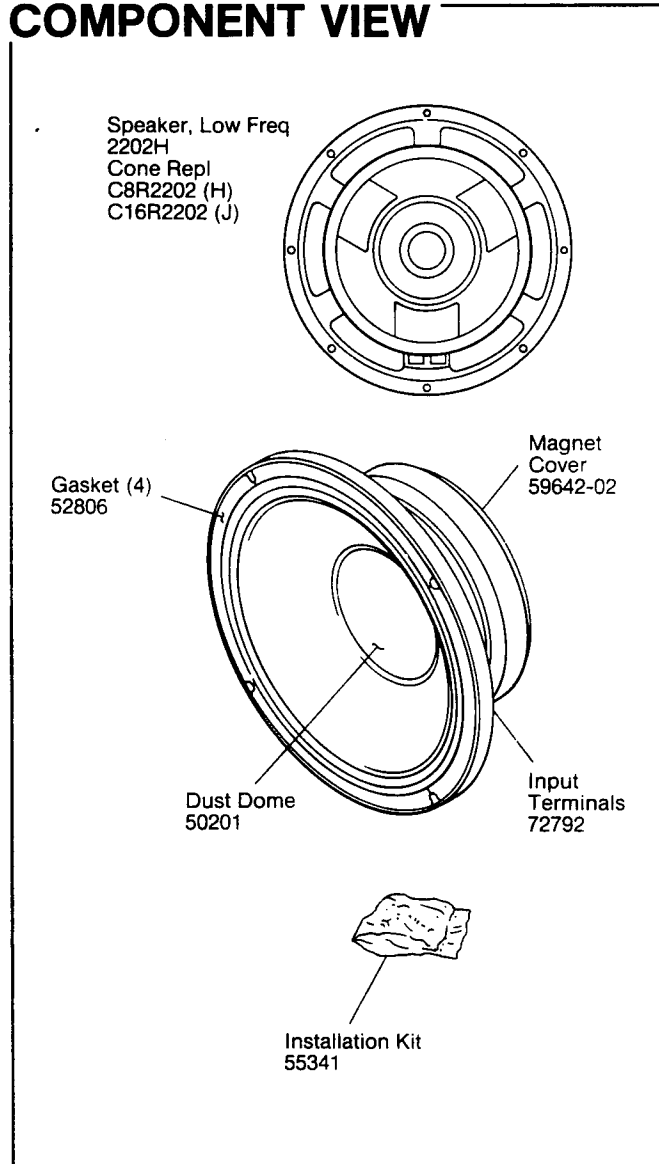
WARRANTY INFORMATION:

- Refer to the Warranty Statement packed with each product.

PACKAGE



COMPONENT VIEW

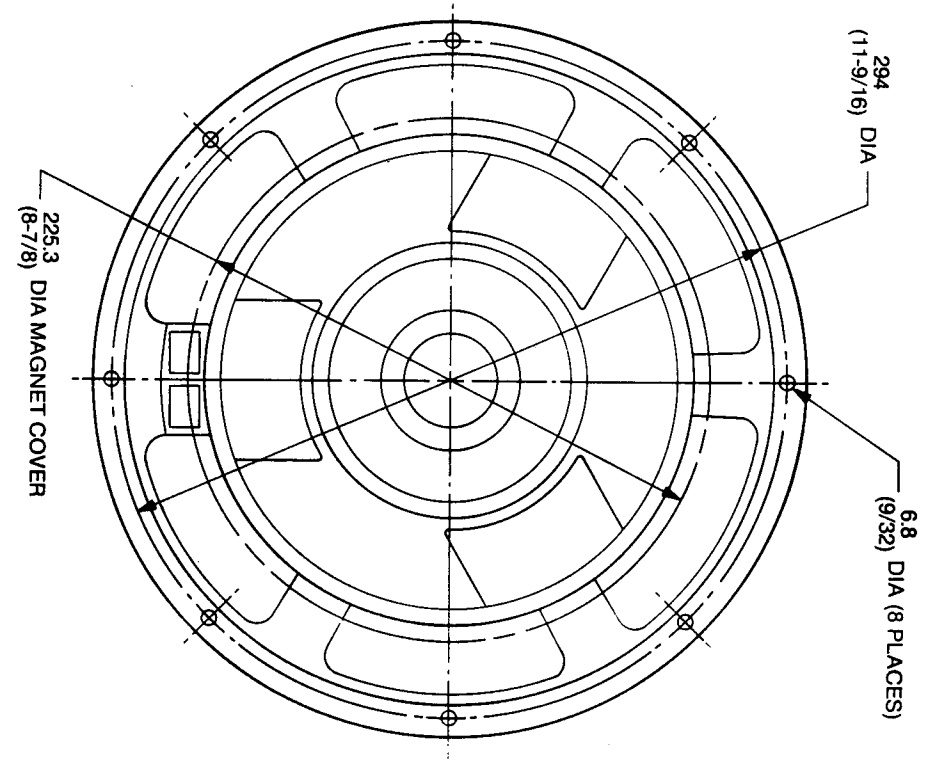
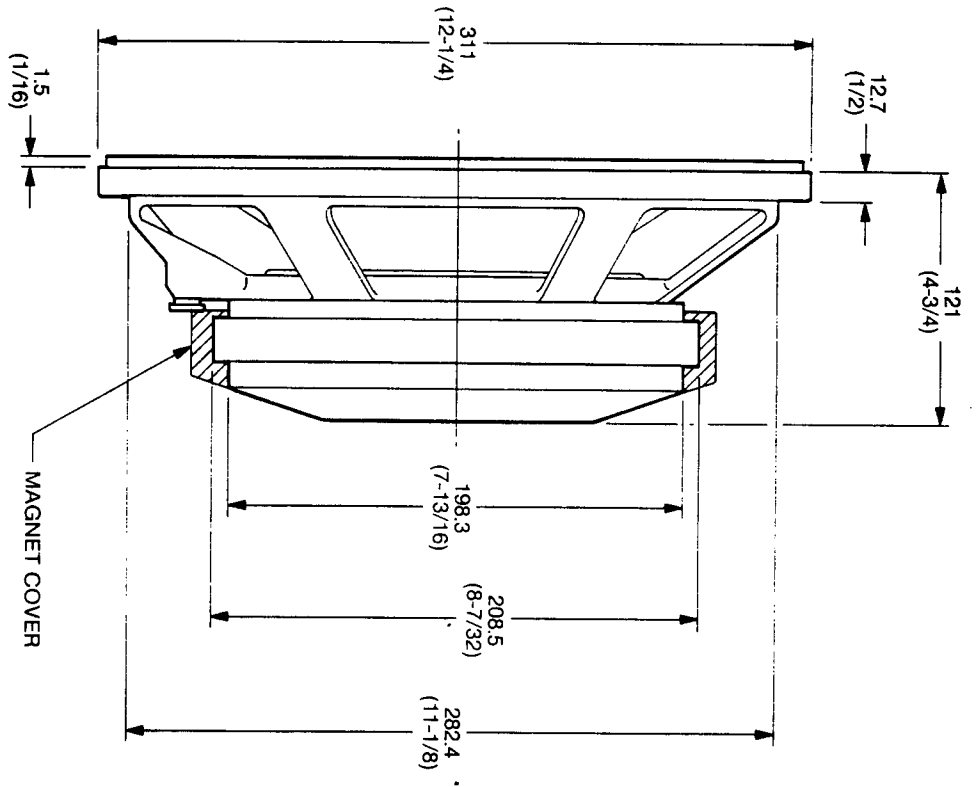


JBL2202H/J REV A

JBL2202H/J

MECHANICAL DRAWING

THESE DRAWINGS AND SPECIFICATIONS ARE THE PROPERTY OF JBL INCORPORATED. THEY ARE ISSUED IN STRICT CONFIDENCE AND SHALL BE KEPT SECRET AND NOT REPRODUCED OR COPIED FOR SALE OR SALE OF APPARATUS WITHOUT WRITTEN PERMISSION.



ALL DIMENSIONS ARE REF. ONLY
NOTE: DIMENSIONS IN () ARE IN INCHES

JBL2202H/J