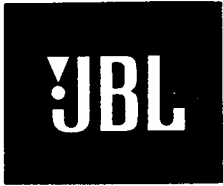


# Technical Manual



# JBL2226G/H/J

## SPECIFICATIONS

### ACOUSTIC & ELECTRICAL SPECIFICATIONS:

- Nominal Impedance: 4 ohm (G)  
8 ohm (H)  
16 ohm (J)
- Power Capacity: 600W AES Continuous Pink Noise
- Frequency Range: 30 Hz to 2.5 kHz
- Sensitivity: 97 dB SPL\*
- Crossover Frequencies: N/A

### SYSTEM COMPONENTS:

- Cabinet: N/A
- Grille: N/A
- Low Frequency Transducer: 380mm (15 in.) Cone Transducer (2226G/H/J)

\*1 Watt (2.83 V RMS) @ 1 Meter

### SYSTEM COMPONENTS: (cont'd)

- DC Resistance: 2.5 ohm  $\pm$ 10% Aluminum Wire (G)  
5.0 ohm  $\pm$ 10% Aluminum Wire (H)  
9.7 ohm  $\pm$ 10% Aluminum Wire (J)

### AURAL SWEEP TEST SPECIFICATIONS:

- A. System Aural Sweep Test: 7.0V Input, 20 Hz to 20 kHz
- B. L.F. Aural Sweep Test: 10.0V Input, 20 Hz to 1.2 kHz

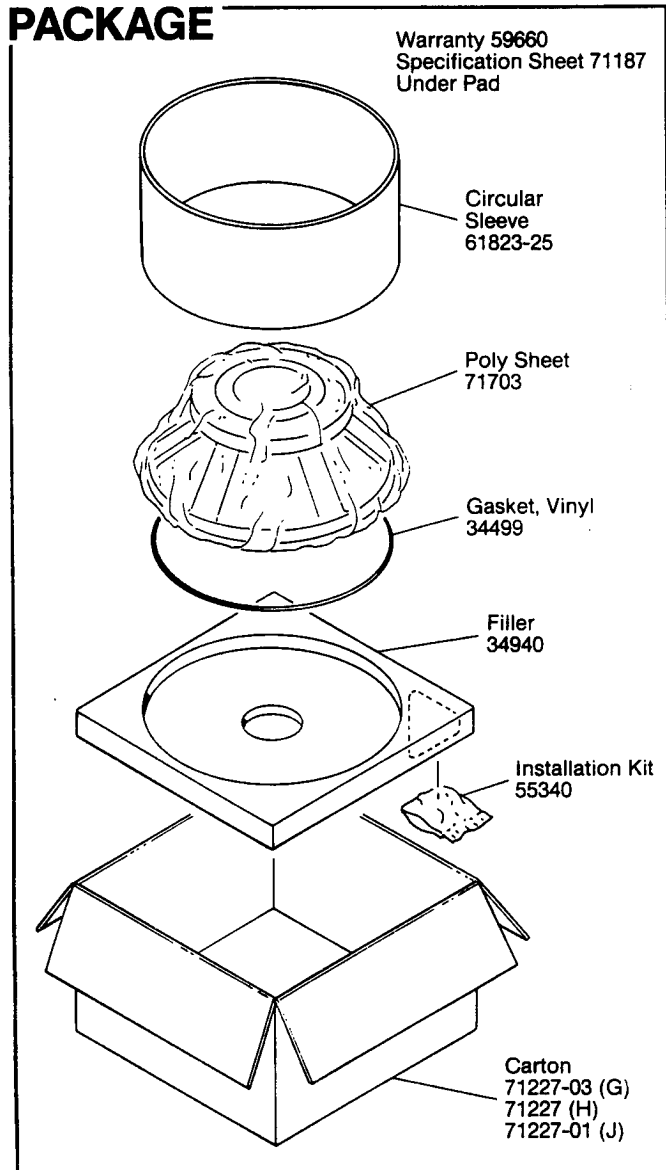
### PHYSICAL SPECIFICATIONS:

- Enclosure Dimensions: 388mm x 388mm x 137mm D  
(15.26 x 15.26 x 5.5 in. D)
- Shipping Weight: 21.5 lbs. (9.8 kg)

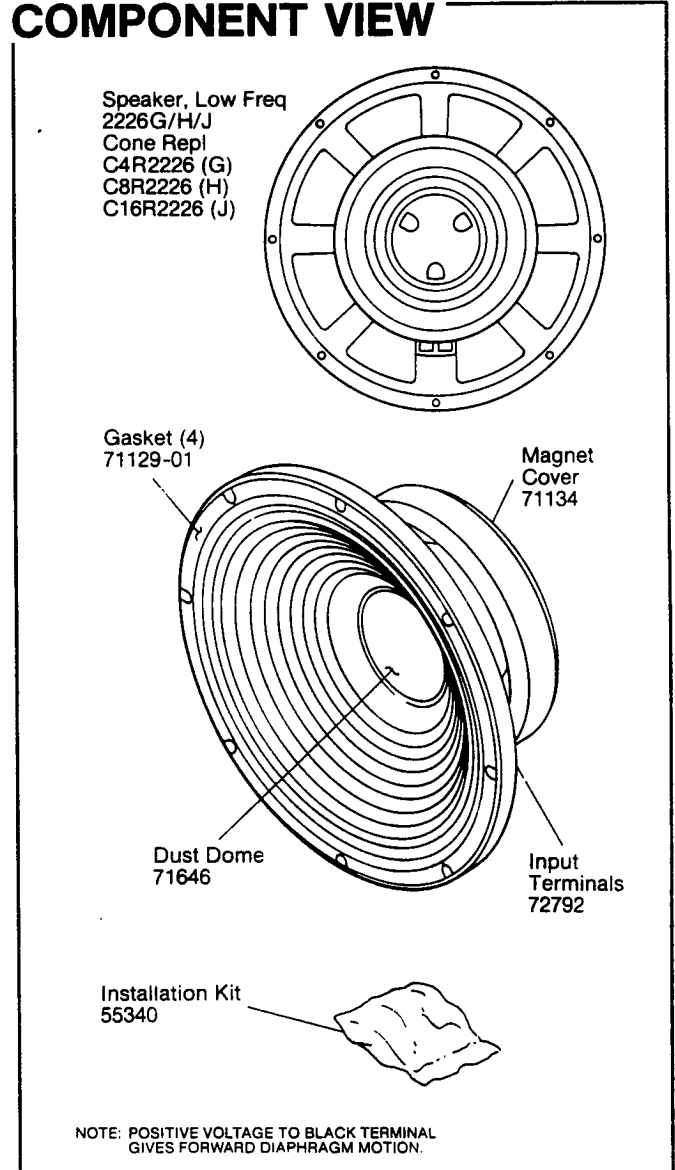
### WARRANTY INFORMATION:

- Refer to the Warranty Statement packed with each product.

## PACKAGE



## COMPONENT VIEW

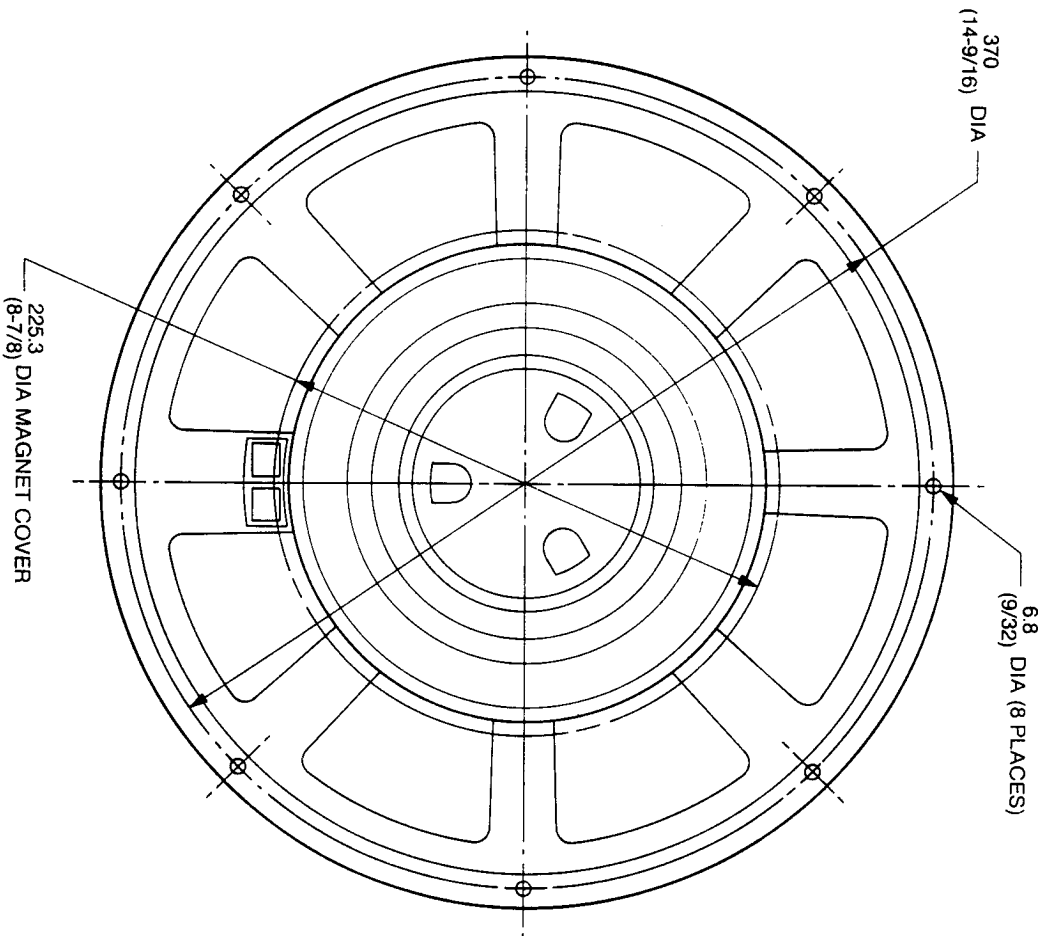
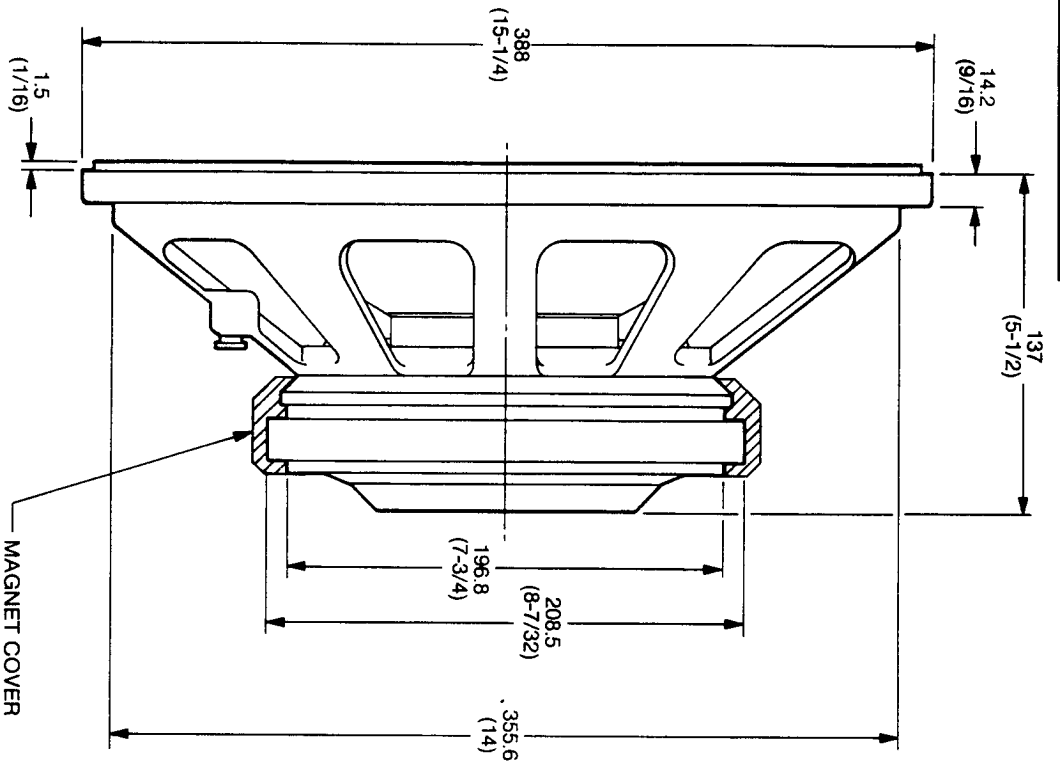


JBL2226G/H/J REV A

# JBL2226G/H/J

## MECHANICAL DRAWING

THIS DRAWING AND SPECIFICATIONS ARE THE PROPERTY OF JBL INC. AND SHALL NOT BE REPRODUCED, COPIED, OR USED AS THE BASIS FOR MANUFACTURE OR SALE OF APPARATUS WITHOUT WRITTEN PERMISSION.



ALL DIMENSIONS ARE REF. ONLY  
NOTE: DIMENSIONS IN ( ) ARE IN INCHES

JBL2226G/H/J