

Technical Manual



JBL2241G/H

SPECIFICATIONS

ACOUSTIC & ELECTRICAL SPECIFICATIONS:

- Nominal Impedance: 4 ohm (G) / 8 ohm (H)
- Power Capacity: 600W Continuous Pink Noise
- Frequency Range: 30 Hz to 3 kHz
- Sensitivity: 98 dB SPL*
- Crossover Frequencies: N/A

SYSTEM COMPONENTS:

- Cabinet: N/A
- Grille: N/A
- Low Frequency Transducer: 460mm (18 in.) Cone Transducer (2241G/H)
- DC Resistance: 2.5 ohm \pm 10% Aluminum Wire (G)
5.0 ohm \pm 10% Aluminum Wire (H)

AURAL SWEEP TEST SPECIFICATIONS:

- A. L.F. Aural Sweep Test: 7.0V Input, 20 Hz to 1.2 kHz (G)
- L.F. Aural Sweep Test: 10.0V Input, 20 Hz to 1.2 kHz (H)

PHYSICAL SPECIFICATIONS:

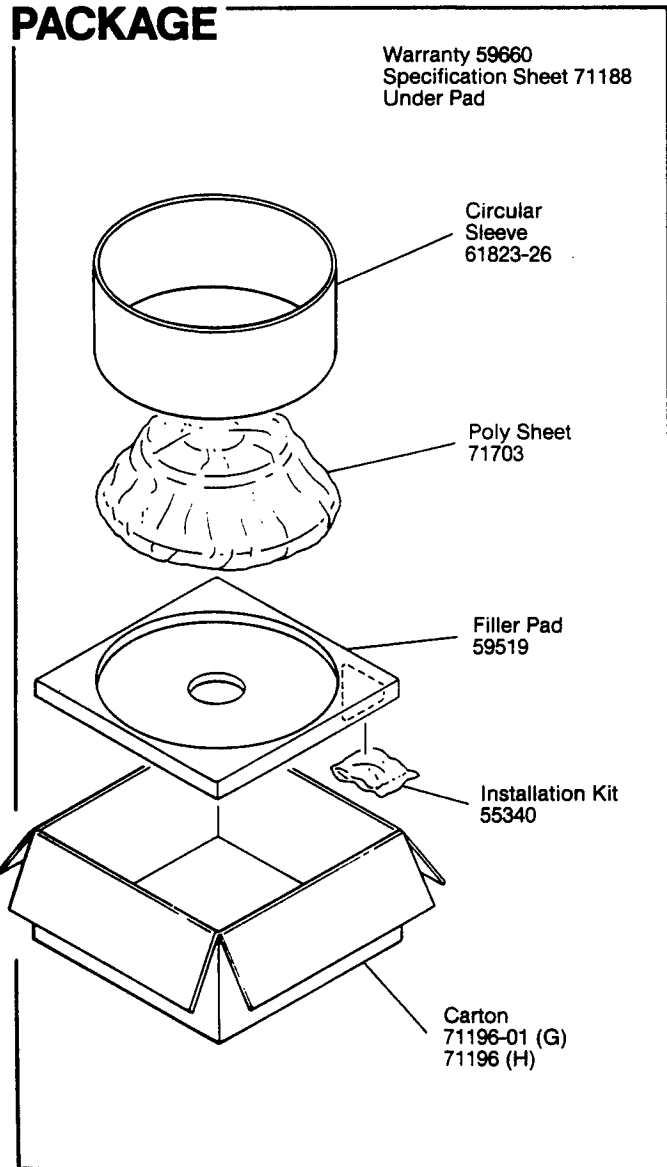
- Enclosure Dimensions: 464mm x 464mm x 187mm D
(18.25 x 18.25 x 7.375 in. D)
- Shipping Weight: 25.5 lbs. (11.6 kg)

WARRANTY INFORMATION:

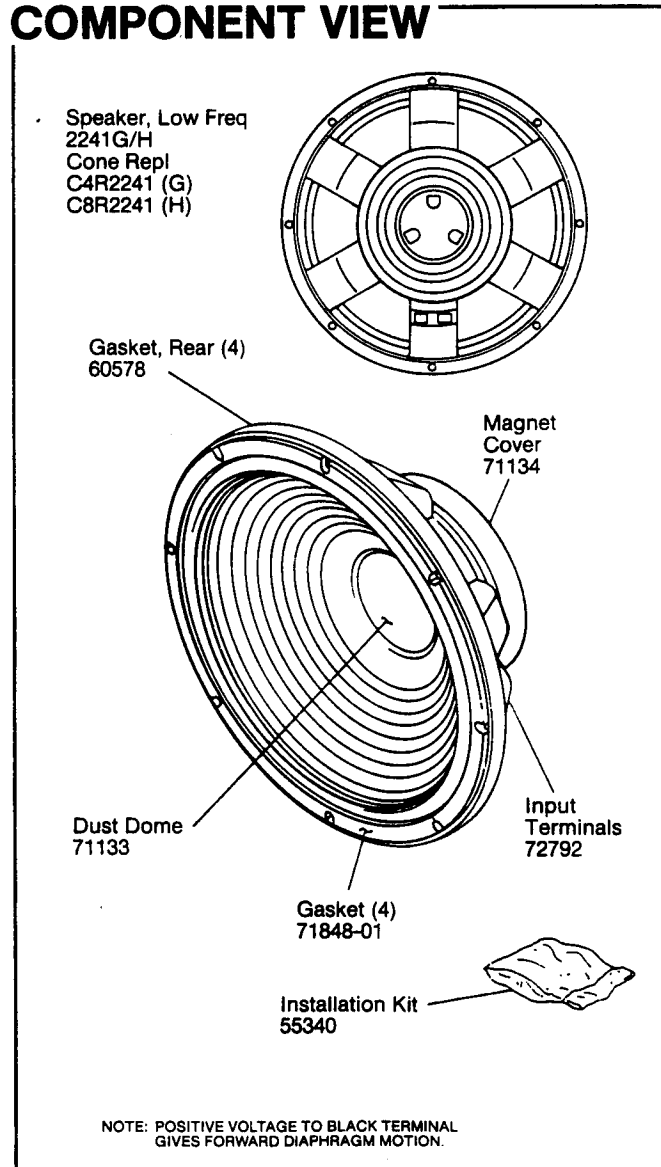
- Refer to the Warranty Statement packed with each product.

*1 Watt (2.0 V RMS) @ 1 Meter (G)
*1 Watt (2.83 V RMS) @ 1 Meter (H)

PACKAGE



COMPONENT VIEW

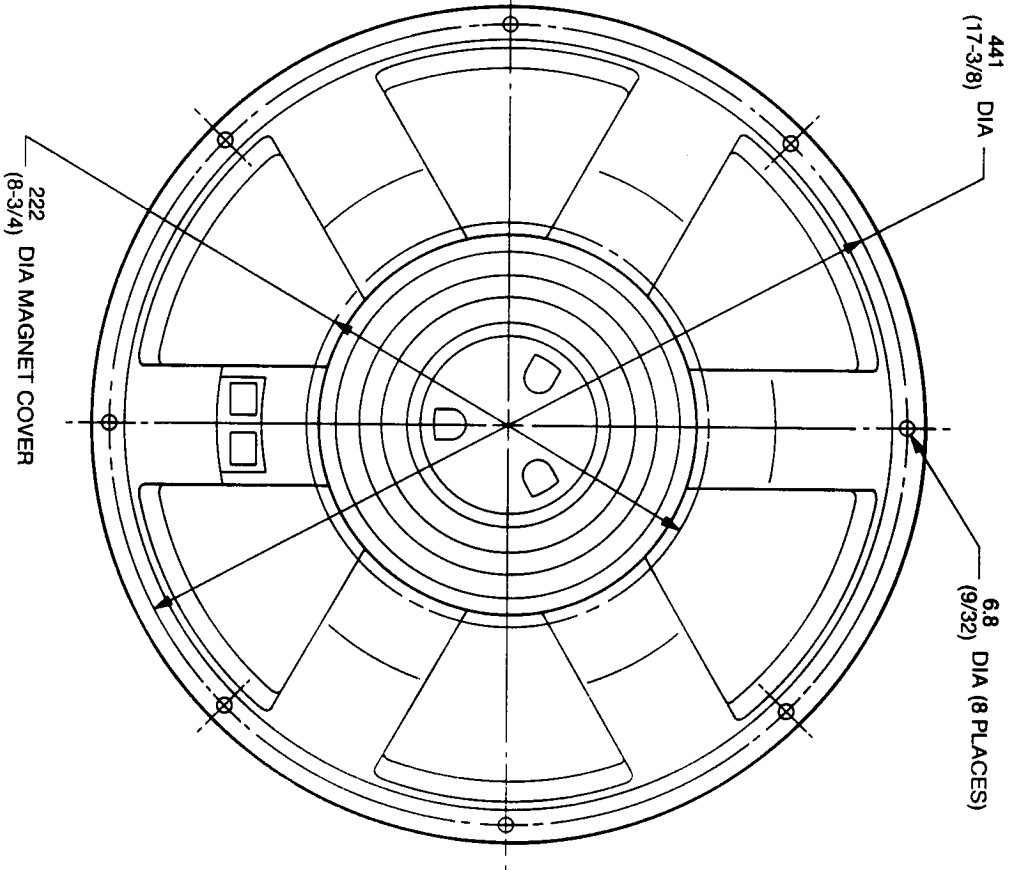
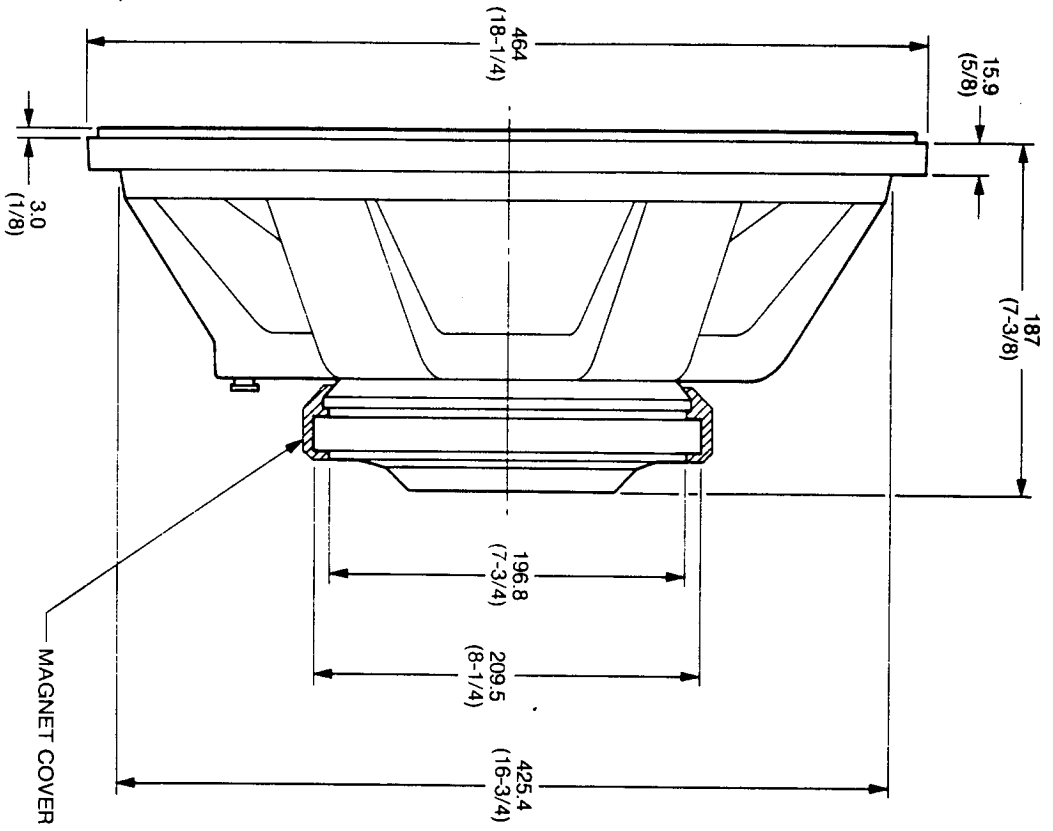


JBL2241G/H REV B

JBL2241G/H

MECHANICAL DRAWING

THESE DRAWINGS AND SPECIFICATIONS ARE THE PROPERTY OF JBL INC. AND ARE NOT TO BE REPRODUCED OR TRANSMITTED IN ANY FORM OR BY ANY MEANS, ELECTRONIC OR MECHANICAL, INCLUDING PHOTOCOPYING, RECORDING, OR BY ANY INFORMATION STORAGE AND RETRIEVAL SYSTEM, WITHOUT WRITTEN PERMISSION FROM JBL INC.



ALL DIMENSIONS ARE REF. ONLY
NOTE: DIMENSIONS IN () ARE IN INCHES

JBL2241G/H