

# Technical Manual



# JBL2427H/J

## SPECIFICATIONS

### ACOUSTIC & ELECTRICAL SPECIFICATIONS:

- Nominal Impedance: 8 ohm (H) / 16 ohm (J)
- Power Capacity: 70W Continuous Program Above 800 Hz  
100W Continuous Program Above 1.2 kHz
- Frequency Range: 500 Hz to 20 kHz
- Sensitivity: 110 dB SPL\* On-Axis on Horn<sup>2</sup>  
117 dB SPL\* on Plane-Wave Tube<sup>3</sup>
- Crossover Frequencies: 800 Hz or Higher

### SYSTEM COMPONENTS:

- Cabinet: N/A
- Grille: N/A
- High Frequency Transducer: 44mm (1-3/4 in.) Pure Titanium Diaphragm (2426H/J)
- DC Resistance: 3.2 ohm ±8% Aluminum Wire (H)  
6.5 ohm ±8% Aluminum Wire (J)

### AURAL SWEEP TEST SPECIFICATIONS:

A. H.F. Aural Sweep Test: 2.83V Input, 550 Hz to 1.2 kHz

### PHYSICAL SPECIFICATIONS:

- Enclosure Dimensions: 149mm x 149mm x 210mm D  
(5.87 x 5.87 x 8.25 in. D)
- Shipping Weight: 11.4 lbs. (5.13 kg.)

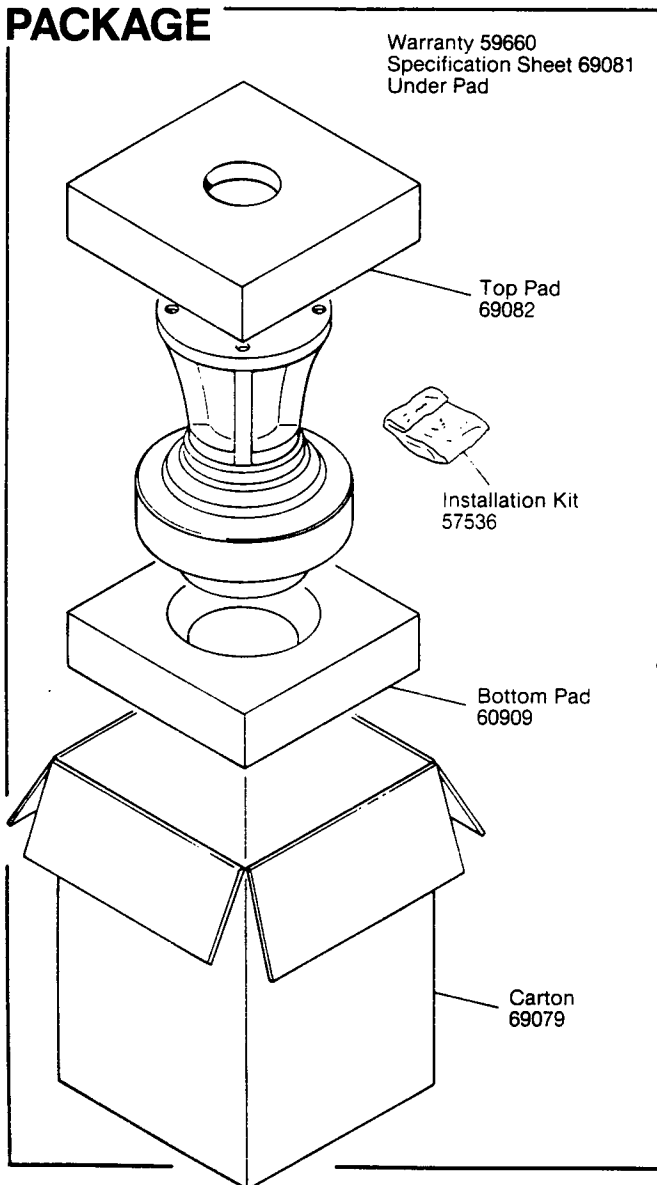
### WARRANTY INFORMATION:

- Refer to the Warranty Statement packed with each product.

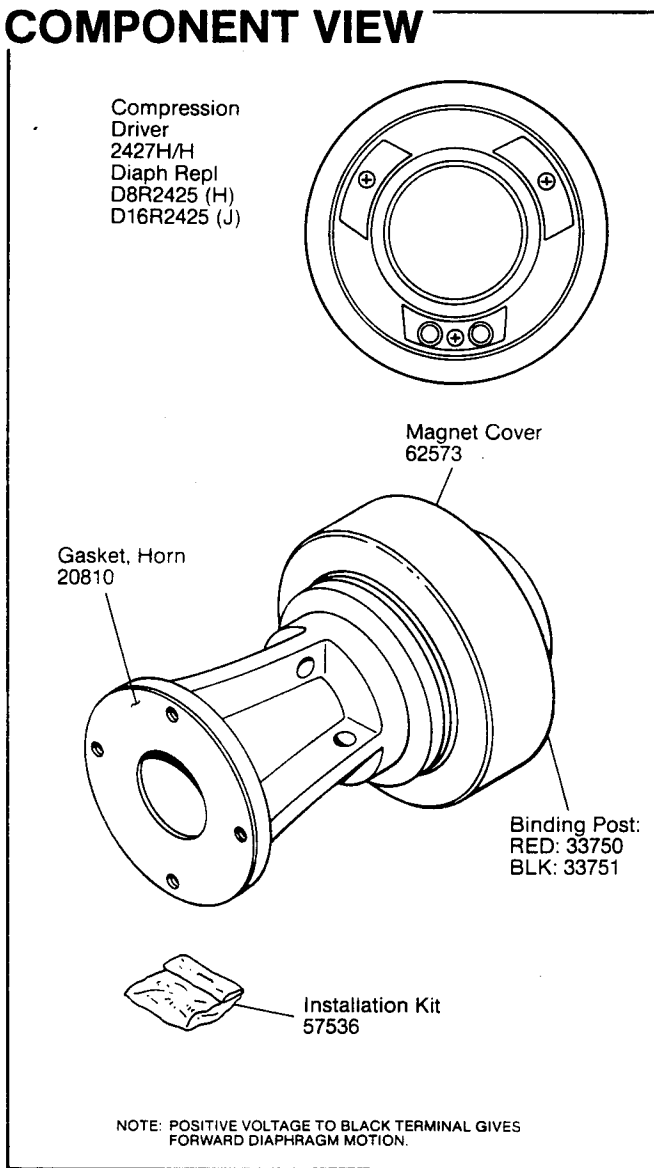
\*1 Watt (2.83 V RMS) @ 1 Meter (H)

\*1 Watt (4.0 V RMS) @ 1 Meter (J)

## PACKAGE



## COMPONENT VIEW

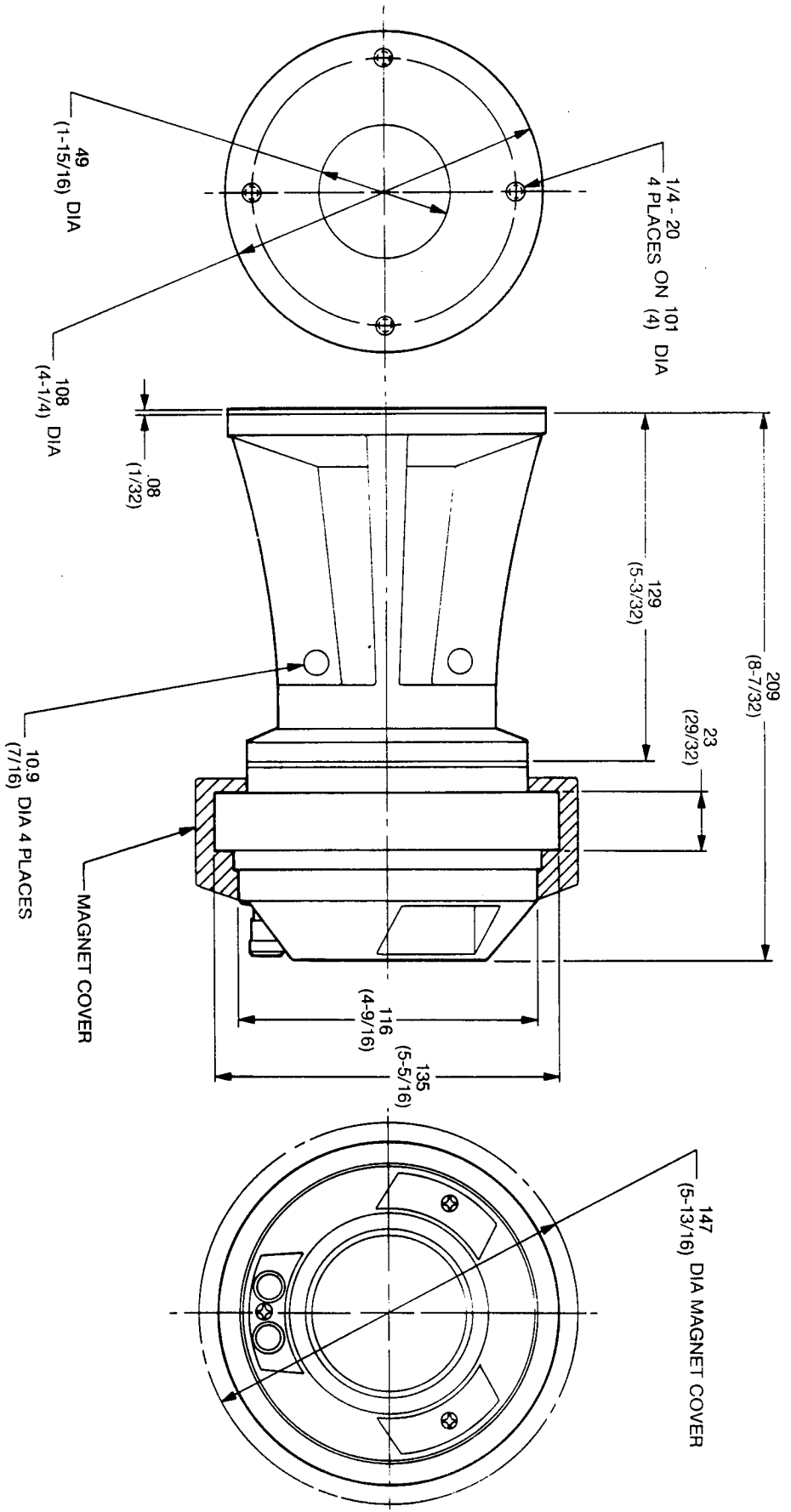


JBL2427H/J REV B

# JBL2427H/J

THIS DRAWING AND SPECIFICATIONS ARE THE PROPERTY OF JBL INCORPORATED. THEY ARE REPRODUCED WITHOUT PERMISSION AND SHALL NOT BE REPRODUCED, COPIED, EITHER WHOLLY OR PARTIALLY, OR IN ANY MANNER, WITHOUT THE WRITTEN PERMISSION OF JBL INCORPORATED.

## MECHANICAL DRAWING



ALL DIMENSIONS ARE REF. ONLY

NOTE: DIMENSIONS IN ( ) ARE IN INCHES

JBL2427H/J