

Technical Manual



JBL2441

SPECIFICATIONS

ACOUSTIC & ELECTRICAL SPECIFICATIONS:

- Nominal Impedance: 16 ohm
- Power Capacity: 70W Continuous Program
- Frequency Range: 500 Hz to 18 kHz
- Sensitivity: 118 dB SPL*
- Crossover Frequencies: 500 Hz or Higher

SYSTEM COMPONENTS:

- Cabinet: N/A
- Grille: N/A
- High Frequency Transducer: 100mm (4 in.) Aluminum Diaphragm (2441)
- DC Resistance: 8 ohm ±8% Aluminum Wire

AURAL SWEEP TEST SPECIFICATIONS:

- A. H.F. Aural Sweep Test: 2.83V Input, 550 Hz to 1.2 kHz

PHYSICAL SPECIFICATIONS:

- Enclosure Dimensions: 178mm x 178mm x 137mm D (7.0 x 7.0 x 5.375 in. D)
- Shipping Weight: 26 lbs. (11.8 kg.)

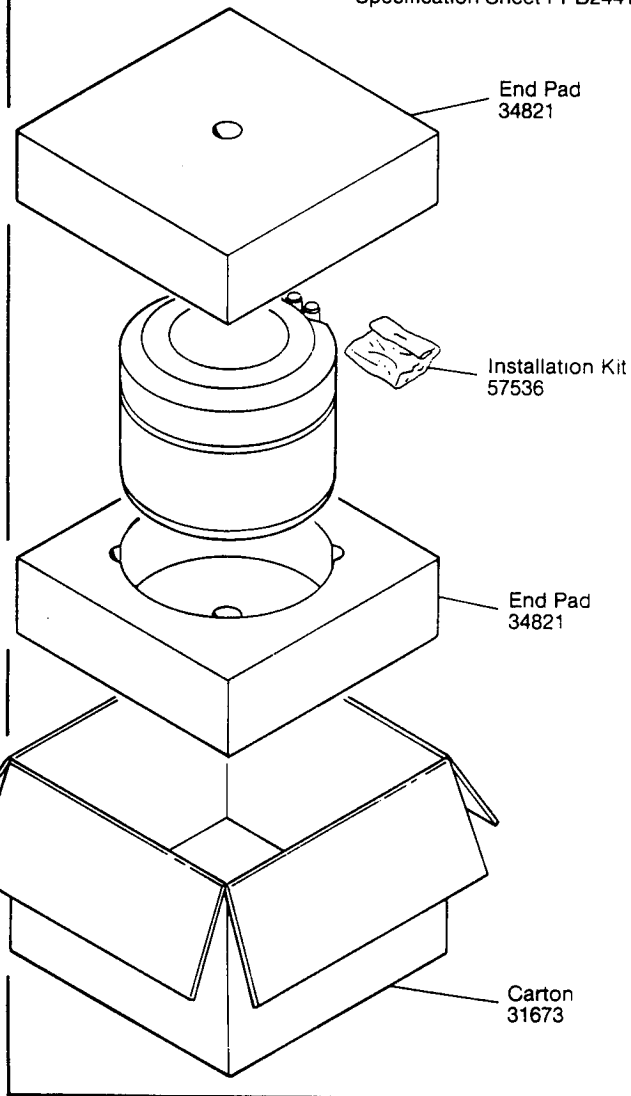
WARRANTY INFORMATION:

- Refer to the Warranty Statement packed with each product.

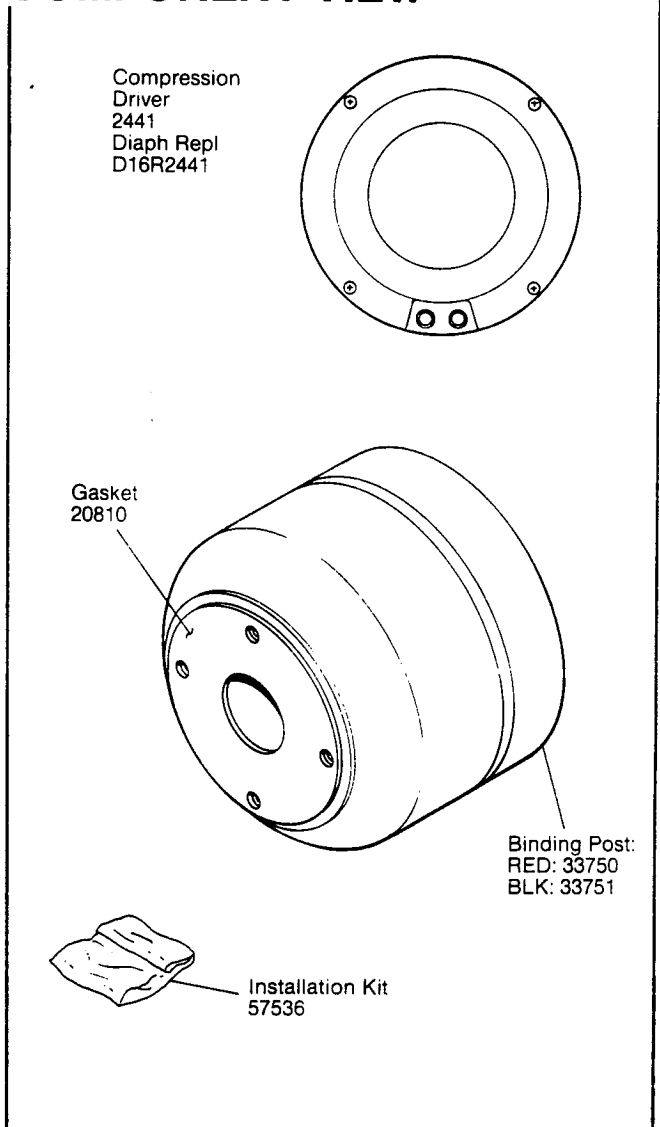
*1 Watt (4.0 V RMS) @ 1 Meter

PACKAGE

Warranty 59660
Specification Sheet PPB2441

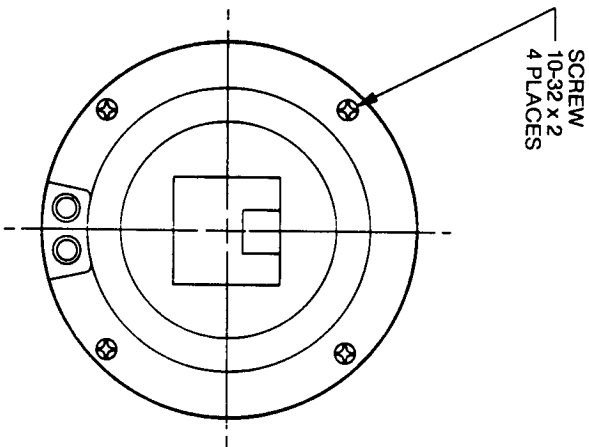
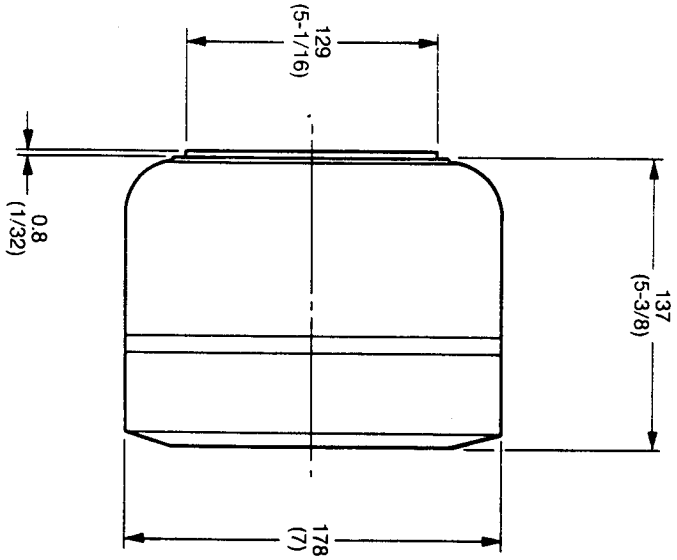
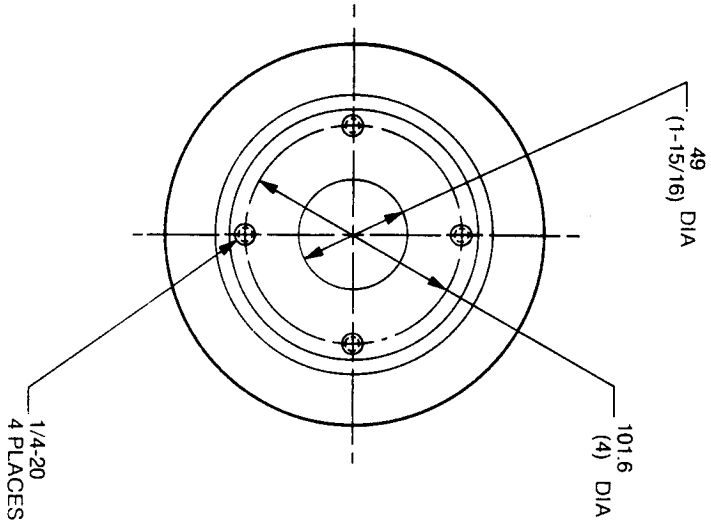


COMPONENT VIEW



MECHANICAL DRAWING

THESE DRAWINGS AND SPECIFICATIONS ARE THE PROPERTY OF JBL. UNAUTHORIZED THEM ARE ISSUED IN STRICT CONFIDENCE AND SHALL NOT BE REPRODUCED, COPIED, OR USED AS THE BASIS FOR MANUFACTURE OR SALE OF APPARATUS WITHOUT WRITTEN PERMISSION.



ALL DIMENSIONS ARE REF. ONLY
NOTE: DIMENSIONS IN () ARE IN INCHES