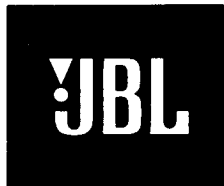


Technical Manual



JBL2485J

SPECIFICATIONS

ACOUSTIC & ELECTRICAL SPECIFICATIONS:

- Nominal impedance: 16 ohm
- Power Capacity: 120W Continuous Program Above 300 Hz
- Frequency Range: 300 Hz to 6 kHz
- Sensitivity: 111 dB SPL* On-Axis on Horn²
118 dB SPL* on Plane-Wave Tube³
- Crossover Frequencies: 300 Hz or Higher

SYSTEM COMPONENTS:

- Cabinet: N/A
- Grille: N/A
- High Frequency Transducer: 100mm (4 in.) Phenolic Diaphragm (2485J)
- DC Resistance: 9.5 ohm ±8% Aluminum Wire

AURAL SWEEP TEST SPECIFICATIONS:

A. H.F. Aural Sweep Test: 2.83V Input, 550 Hz to 1.2 kHz

PHYSICAL SPECIFICATIONS:

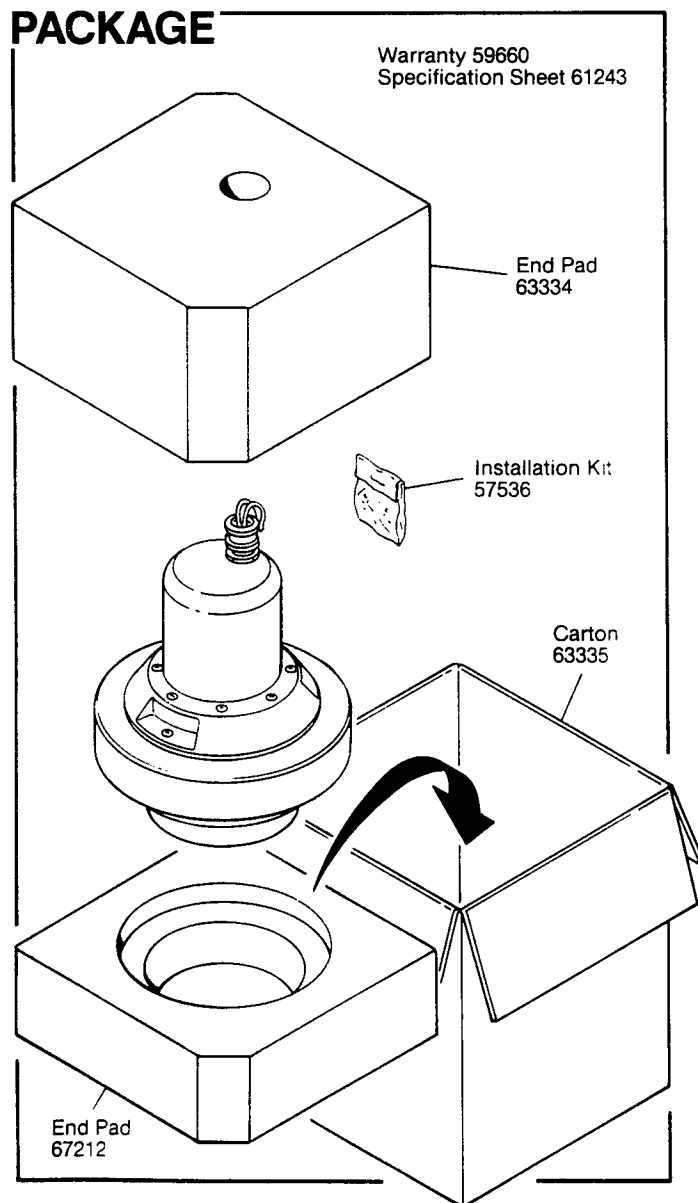
- Enclosure Dimensions: 232mm x 232mm x 267mm D (9.12 x 9.12 x 10.5 in. D)
- Shipping Weight: 32 lbs. (14.5 kg.)

WARRANTY INFORMATION:

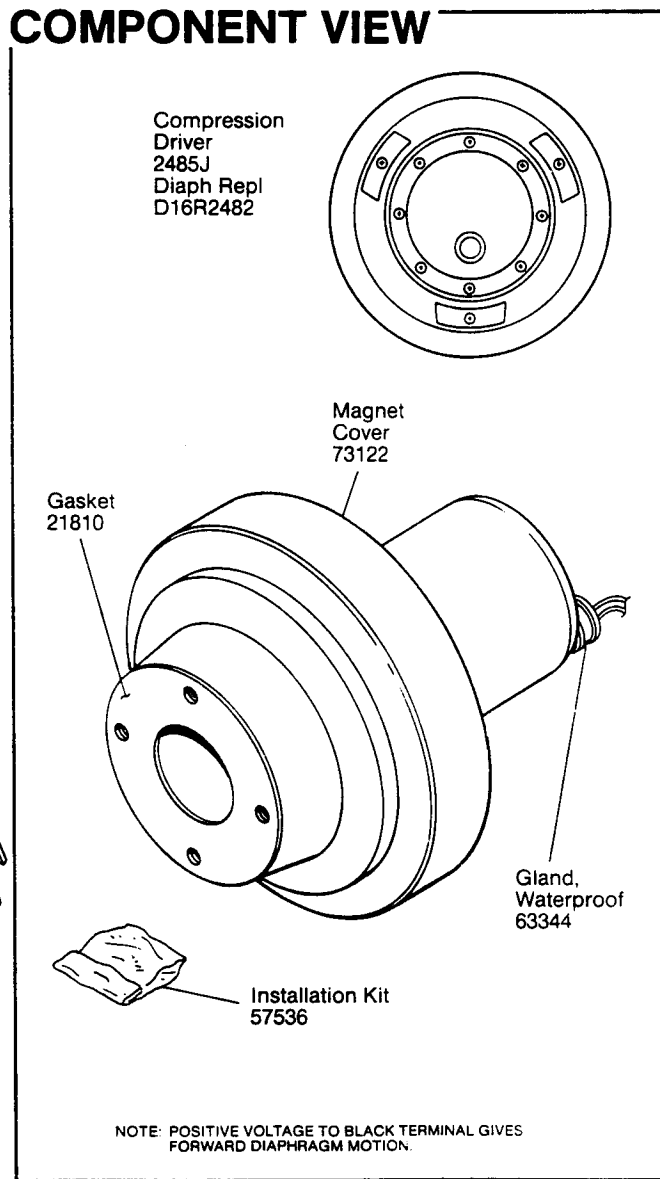
- Refer to the Warranty Statement packed with each product.

*1 Watt (4.0 V RMS) @ 1 Meter

PACKAGE



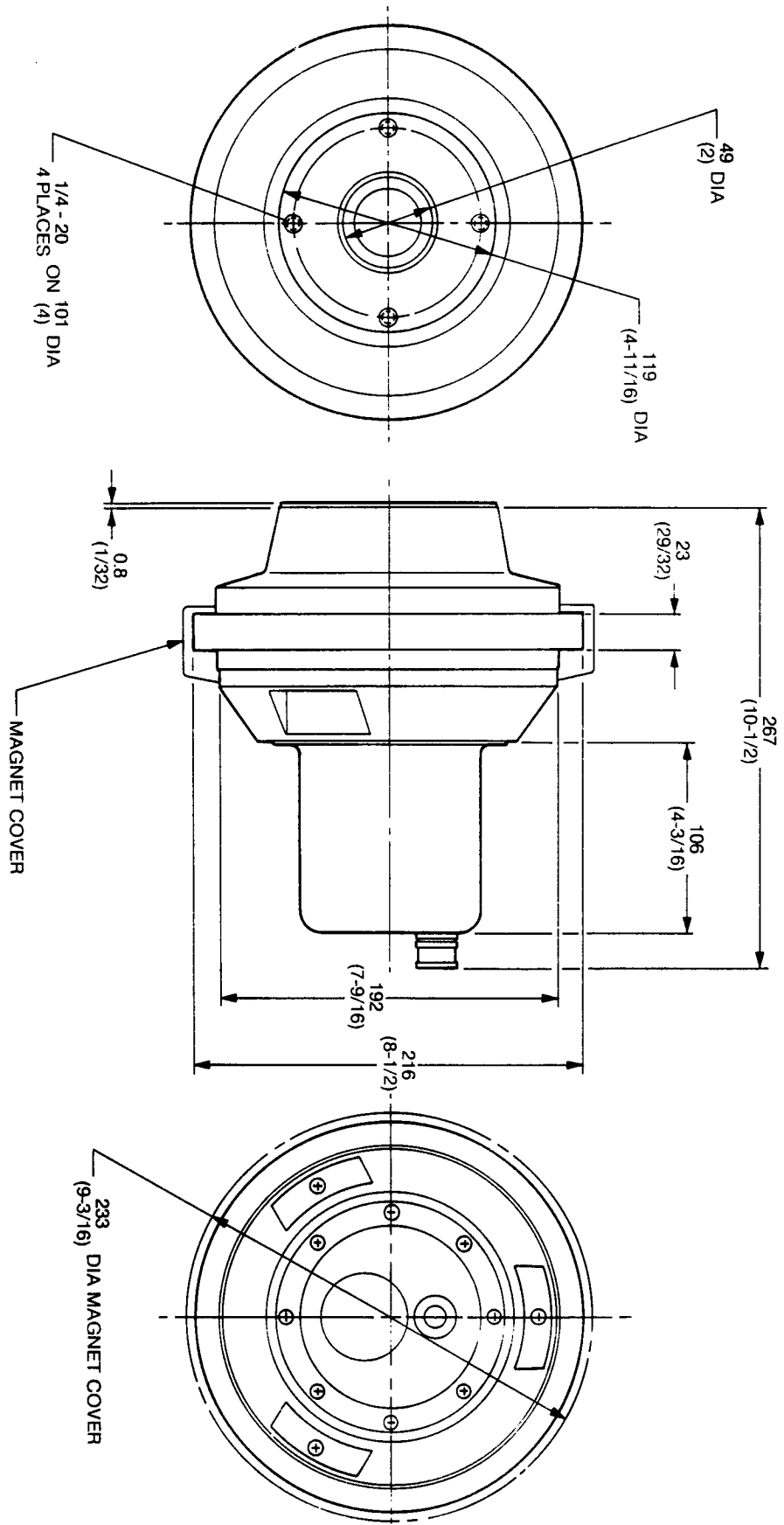
COMPONENT VIEW



JBL2485J

MECHANICAL DRAWING

THESE DRAWINGS AND SPECIFICATIONS ARE THE PROPERTY OF JBL INC. AND SHALL BE KEPT CONFIDENTIAL AND NOT REPRODUCED OR USED AS THE BASIS FOR MANUFACTURE OR SALE OF APPARATUS WITHOUT WRITTEN PERMISSION.



ALL DIMENSIONS ARE REF. ONLY
NOTE: DIMENSIONS IN () ARE IN INCHES

JBL2485J