

JBL 2600



SPECIFICATIONS

ACOUSTIC & ELECTRICAL SPECIFICATIONS:

- Nominal Impedance: 8 ohm
- Power Rating: 10W to 100W
- Frequency Response: 60 Hz to 23 kHz
- Sensitivity: 89 dB SPL*
- Crossover Frequencies: 3 kHz

SYSTEM COMPONENTS:

- Cabinet: 70662 (Santa Rosa Oak)
70662-01 (Blk Ash)
- Grille: 70664

*1 Watt (2.83 V RMS) @ 1 Meter

SYSTEM COMPONENTS: (cont'd)

- Low Frequency Transducer: 166mm (6.5 in.) High Polymer Laminate (506G)
- High Frequency Transducer: 12mm (½ in.) Pure Titanium Dome (Ultra 1230) (70740)
- Crossover Network: 70561

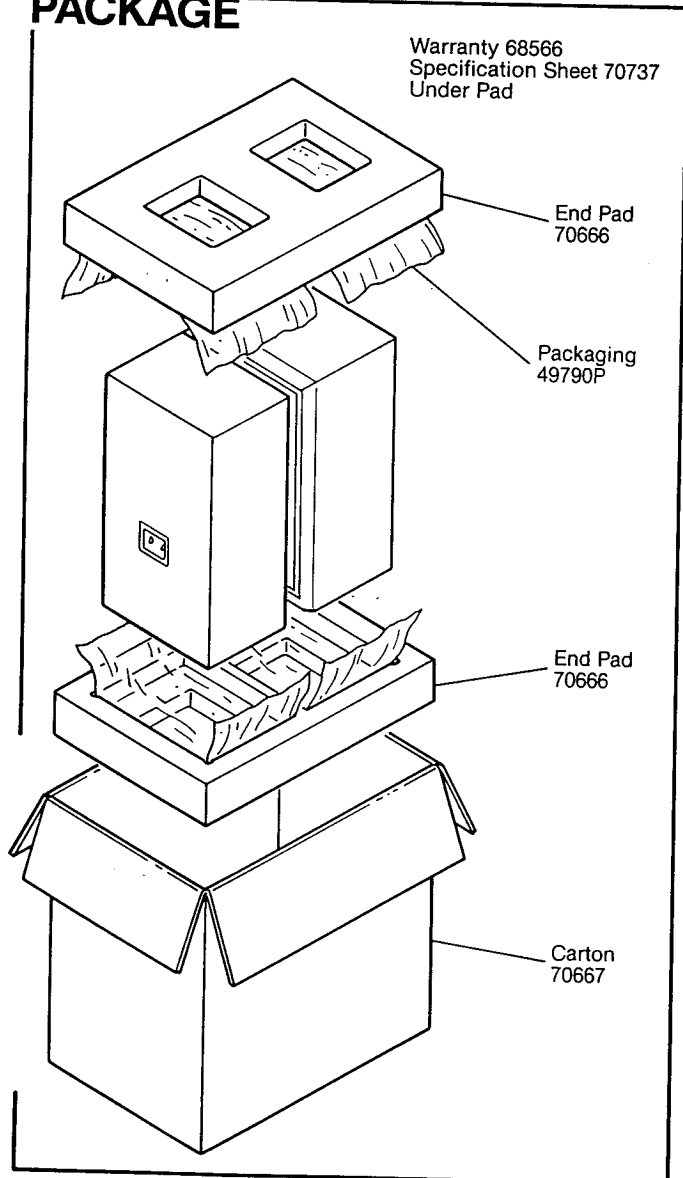
PHYSICAL SPECIFICATIONS:

- Enclosure Dimensions: 432mm x 229mm x 213mm D (17.0 x 9.0 x 8.375 in. D)
- Shipping Weight: 12 lbs.

WARRANTY INFORMATION:

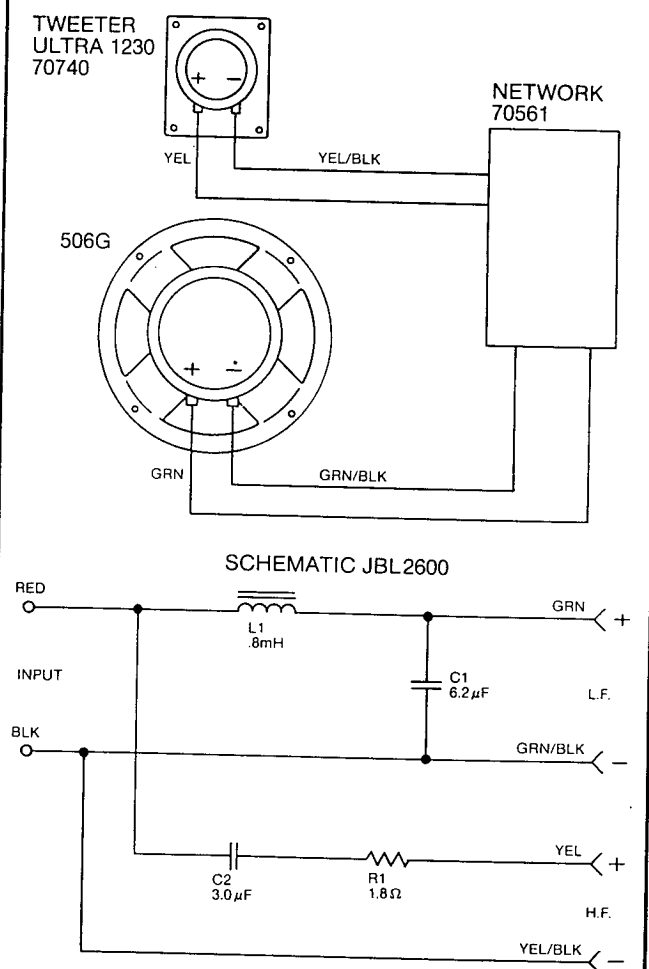
- Refer to the Warranty Statement packed with each product.

PACKAGE



WIRING DIAGRAM

(NETWORK ASSY PART NO. 70561)



NOTE: Individual parts for the above crossover are not available. A complete replacement assembly should be ordered.

JBL 2600 REV A

DRIVER	TEST VOLTAGE	SWEEP FREQUENCY	DCR MIN-MAX
70740	2.83	5KHZ-20KHZ	5.5-6.5 OHMS
506G	4	20HZ-1KHZ	4.2-4.7 OHMS

JBL 2600

COMPONENT EXPLODED VIEW

