

Technical Manual



JBL4602B STAGE MONITOR

SPECIFICATIONS

ACOUSTIC & ELECTRICAL SPECIFICATIONS:

- Nominal Impedance: 8 ohm
- Power Rating: Continuous Pink Noise: 150W
Continuous Program: 300W
- Frequency Response: 50 Hz to 15 kHz
- Sensitivity: 103 dB SPL*
- Crossover Frequencies: 3 kHz

SYSTEM COMPONENTS:

- Cabinet: C4702B
- Grille: G4602B
- Low Frequency Transducer: 300mm (12 in.) Paper Cone Transducer

SYSTEM COMPONENTS: (cont'd)

- High Frequency Transducer: 44mm (1-3/4 in.) Pure Titanium Diaphragm
- Crossover Network: N4602B

PHYSICAL SPECIFICATIONS:

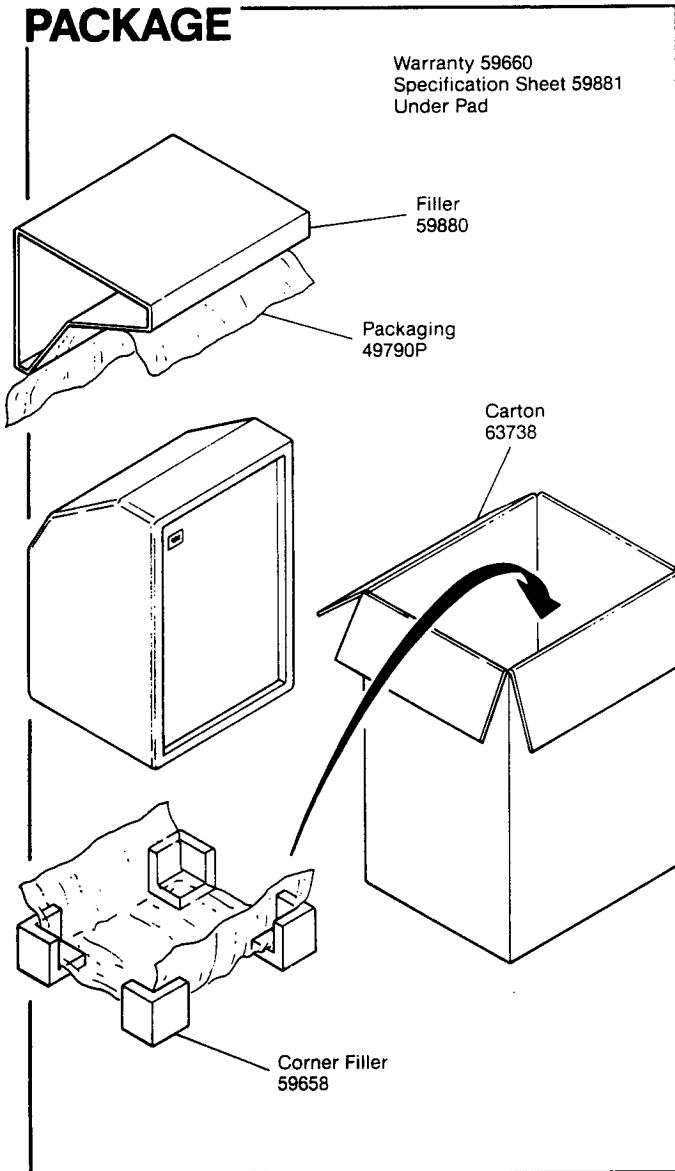
- Enclosure Dimensions: 508mm x 406mm x 374mm D
(20.0 x 16.0 x 14.68 in. D)
- Shipping Weight: 57-1/4 lbs.

WARRANTY INFORMATION:

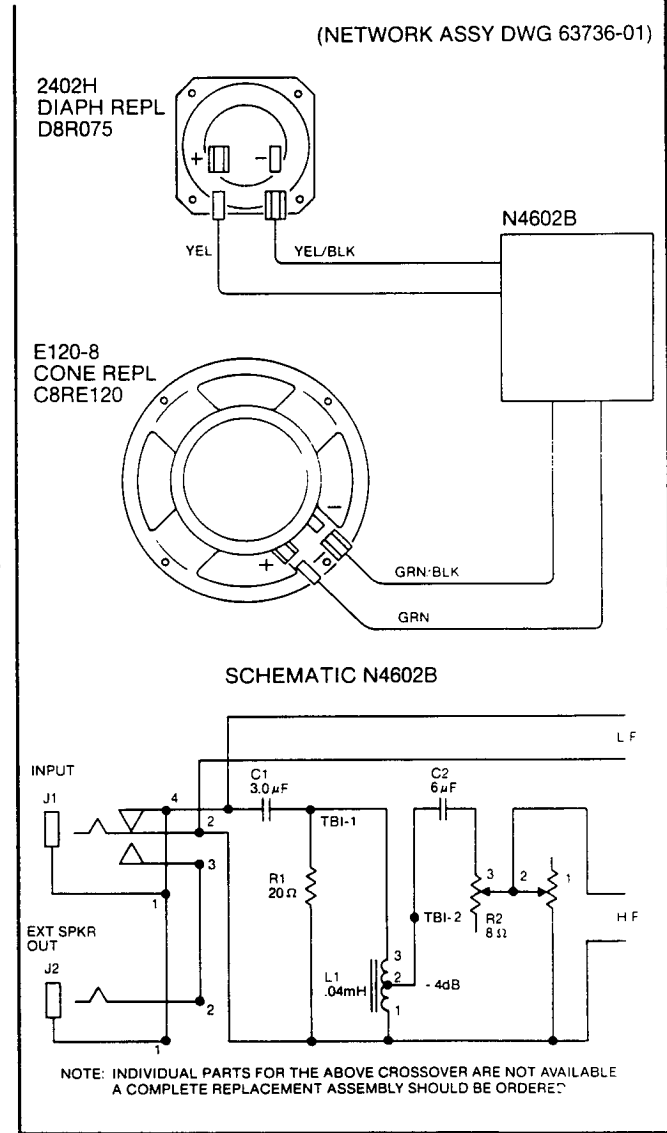
- Refer to the Warranty Statement packed with each product.

*1 Watt (2.83 V RMS) @ 1 Meter

PACKAGE

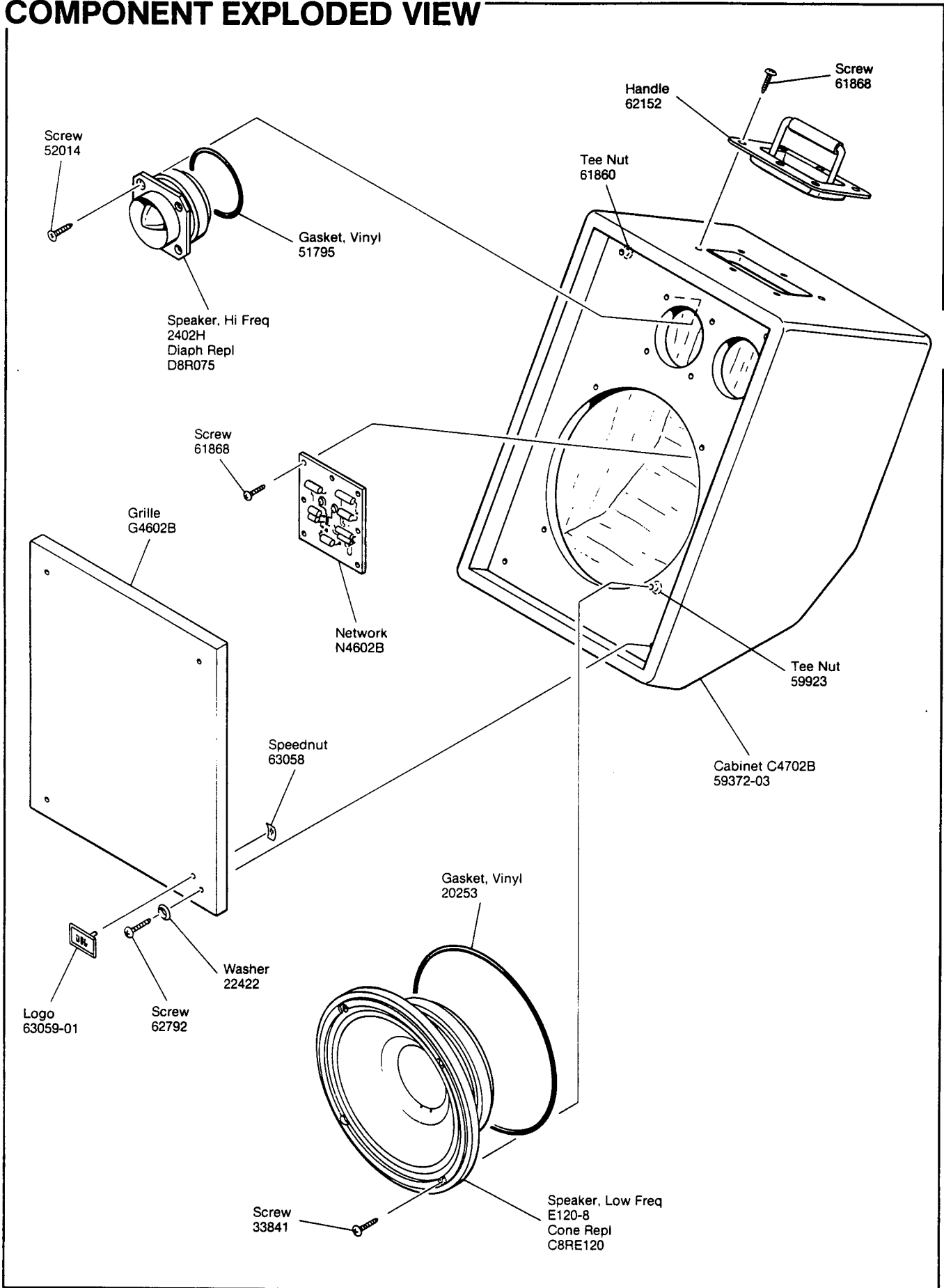


WIRING DIAGRAM



JBL4602B

COMPONENT EXPLODED VIEW



JBL4602B