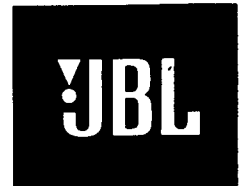


Technical Manual



JBL4604B STAGE MONITOR

SPECIFICATIONS

ACOUSTIC & ELECTRICAL SPECIFICATIONS:

- Nominal Impedance: 8 ohm
- Power Rating: Continuous Pink Noise: 200W
Continuous Program: 400W
- Frequency Response: 40 Hz to 20 kHz
- Sensitivity: 103 dB SPL*
- Crossover Frequencies: 1.5 kHz

SYSTEM COMPONENTS:

- Cabinet: C4604B
- Grille: G4604B
- Low Frequency Transducer: 380mm (15 in.) Paper Cone Transducer (E140-8)

SYSTEM COMPONENTS: (cont'd)

- High Frequency Transducer: 44mm (1-3/4 in.) Pure Titanium Diaphragm (2426J)
- Crossover Network: N4691

PHYSICAL SPECIFICATIONS:

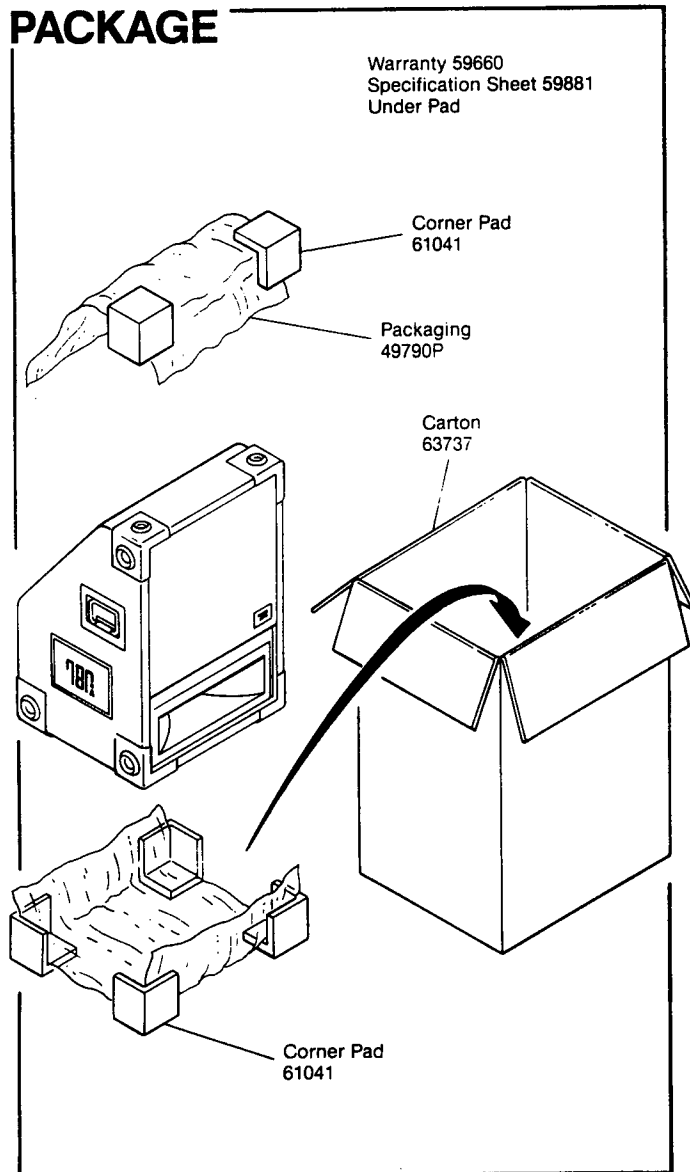
- Enclosure Dimensions: 767mm x 512mm x 478mm D
(30.18 x 20.12 x 18.81 in. D)
- Shipping Weight: 105 lbs.

WARRANTY INFORMATION:

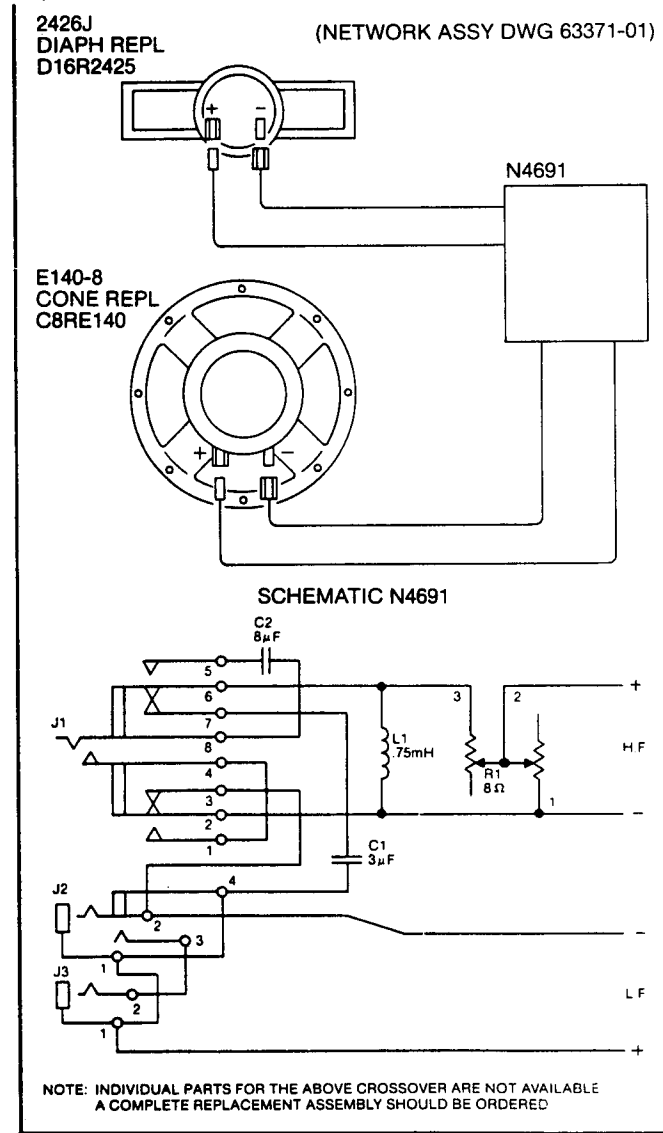
- Refer to the Warranty Statement packed with each product.

*1 Watt (2.83 V RMS) @ 1 Meter

PACKAGE

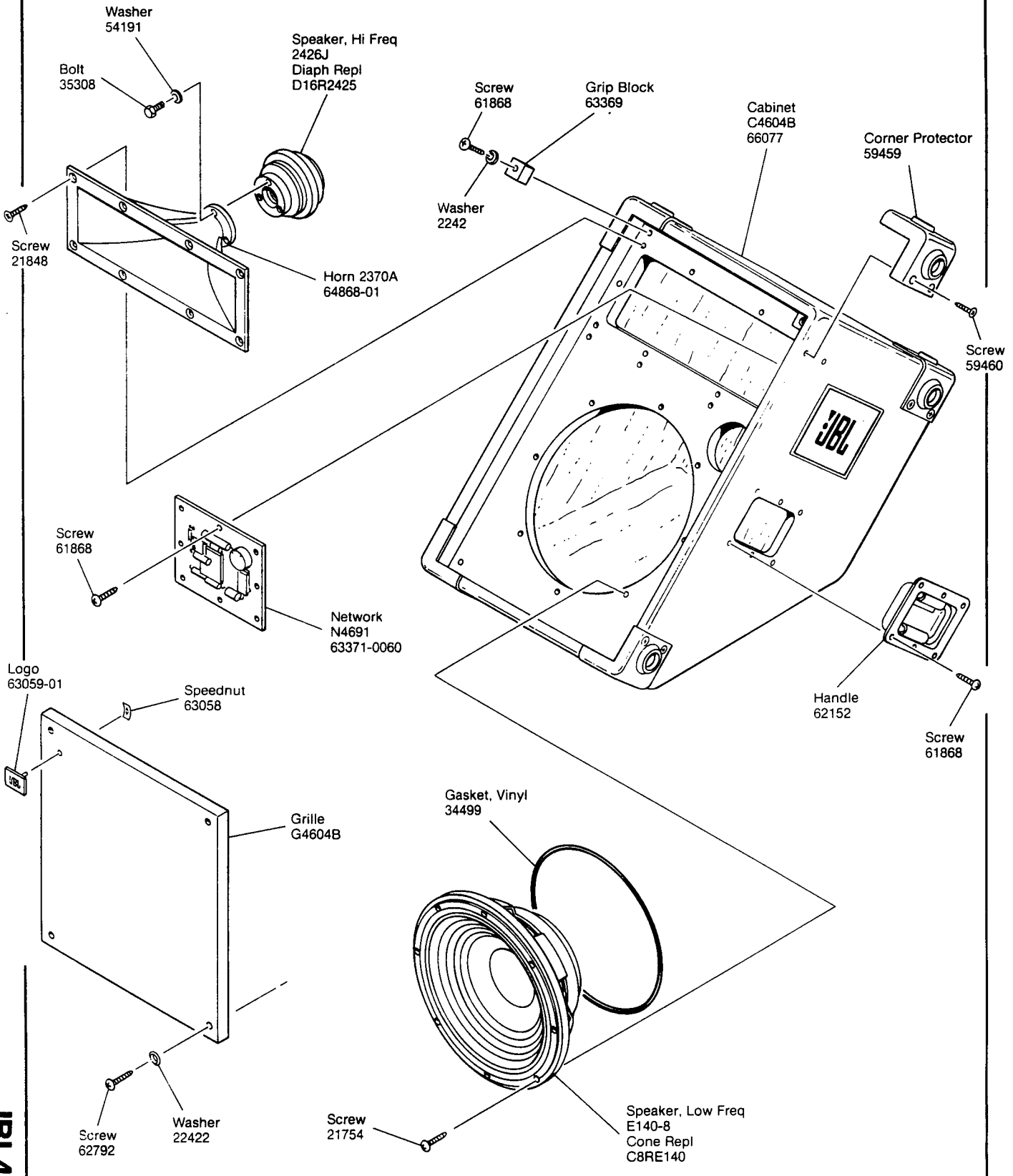


WIRING DIAGRAM



JBL4604B

COMPONENT EXPLODED VIEW



JBL4604B