

# Technical Manual



# JBL46120K COMPACT SOUND REINFORCEMENT SYSTEM

## SPECIFICATIONS

### ACOUSTIC & ELECTRICAL SPECIFICATIONS:

- Nominal Impedance: 8 ohm
- Power Rating: Continuous Pink Noise: 200W
- Frequency Response: 80 Hz to 16 kHz ( $\pm 4$ dB)
- Sensitivity: 97 dB SPL\*
- Crossover Frequencies: 3 kHz

### SYSTEM COMPONENTS:

- Cabinet: C46120K
- Grille: G46120K
- Low Frequency Transducer: (2) 200mm (8 in.) Cone Transducer

### SYSTEM COMPONENTS: (cont'd)

- High Frequency Transducer: 44mm (1.75 in.) Aluminum Diaphragm Compression Driver
- Crossover Network: N46120K

### PHYSICAL SPECIFICATIONS:

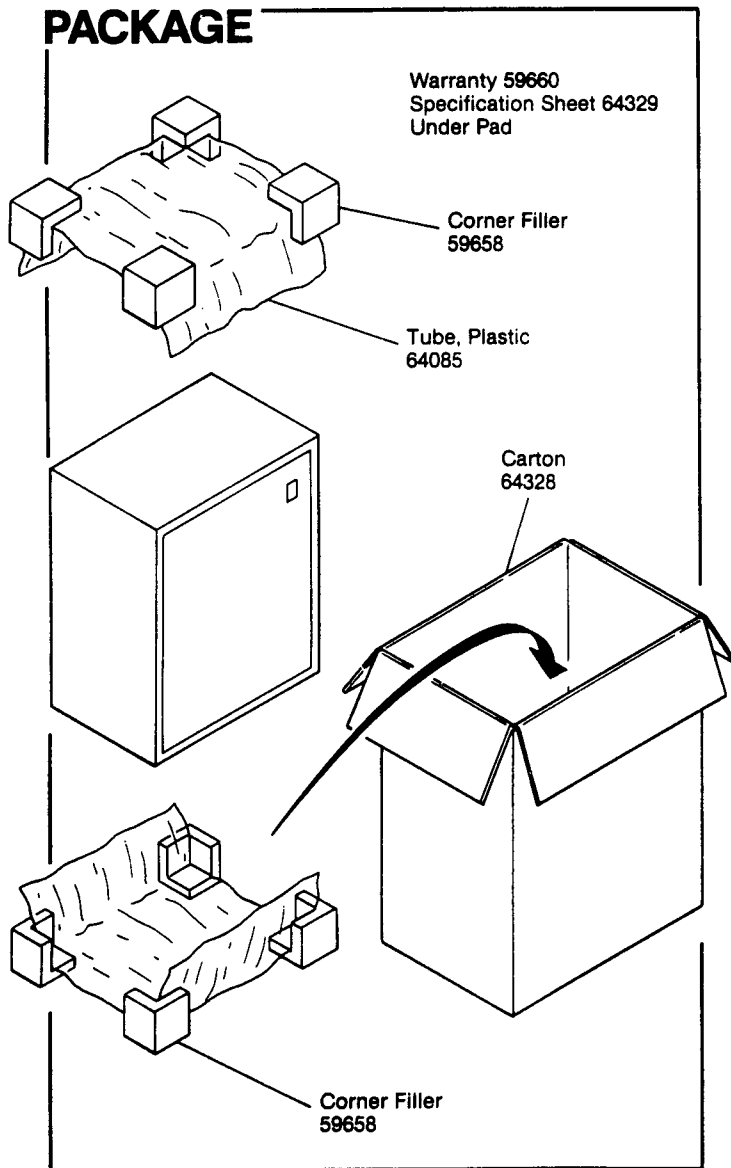
- Enclosure Dimensions: 438mm x 546mm x 254mm D (17.25 x 21.5 x 10.0 in. D)
- Shipping Weight: 45 lbs.

### WARRANTY INFORMATION:

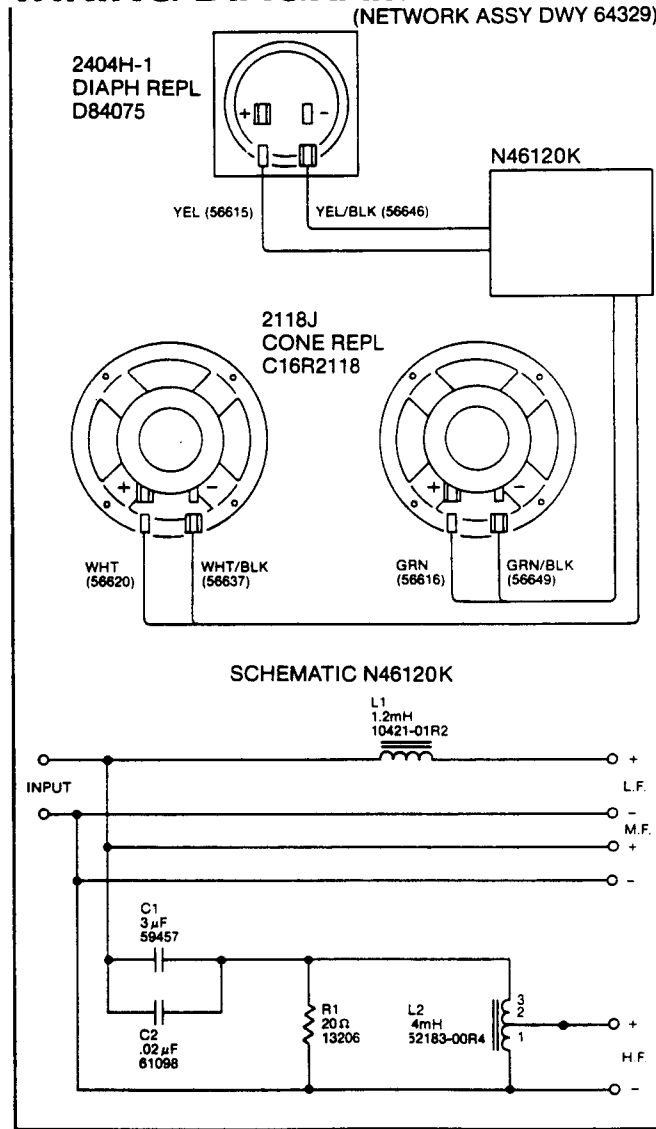
- Refer to the Warranty Statement packed with each product.

\*1 Watt (2.83 V RMS) @ 1 Meter

## PACKAGE

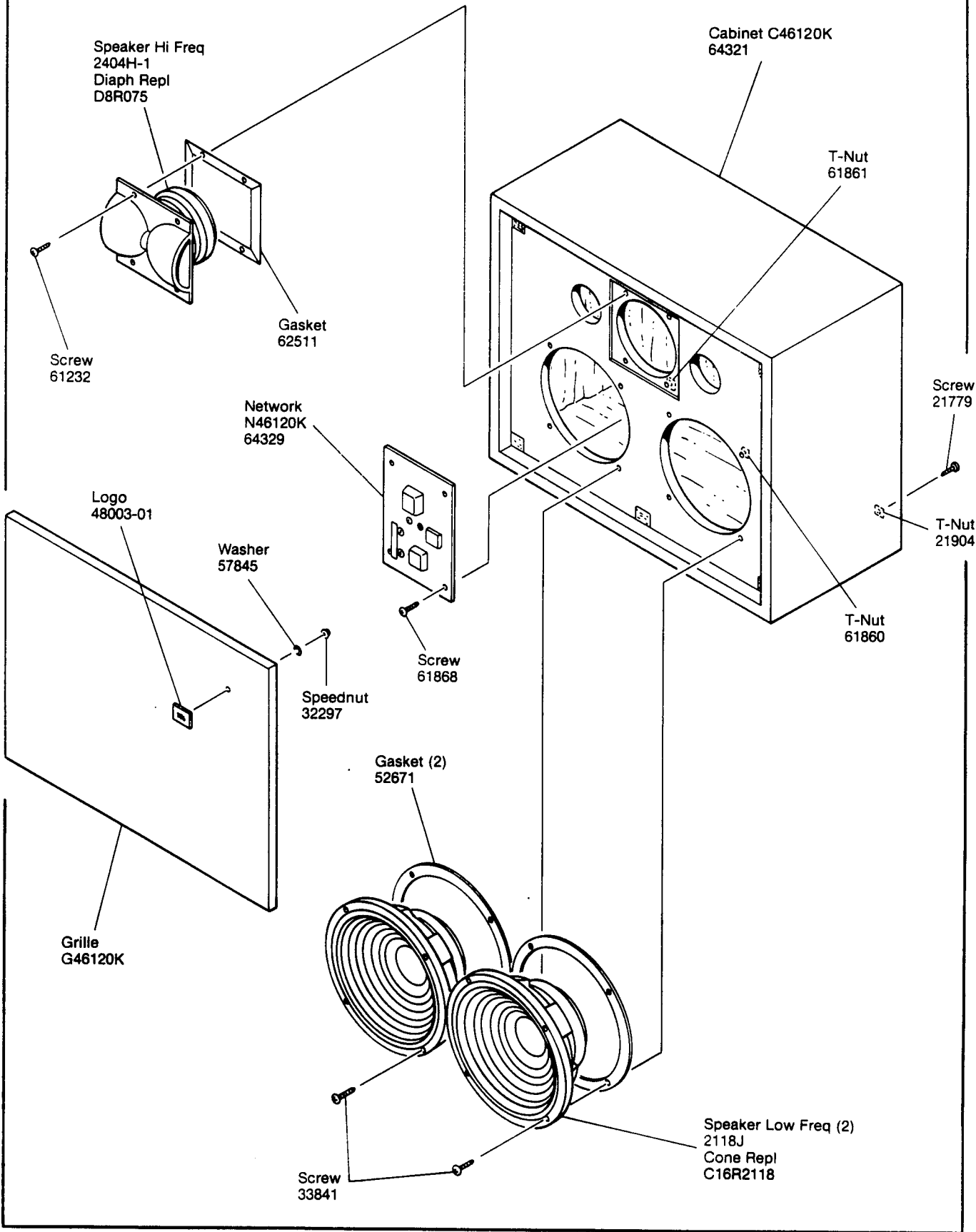


## WIRING DIAGRAM



# JBL46120K

## COMPONENT EXPLODED VIEW



JBL46120K