

Technical Manual



JBL4612B COMPACT SOUND REINFORCEMENT SYSTEM

SPECIFICATIONS

ACOUSTIC & ELECTRICAL SPECIFICATIONS:

- Nominal Impedance: 8 ohm
- Power Rating: Continuous Pink Noise: 200W
Continuous Pink Noise: 400W
- Frequency Response: 60 Hz to 21.5 kHz (-10dB)
- Sensitivity: 97 dB SPL*
- Crossover Frequencies: 3 kHz

SYSTEM COMPONENTS:

- Cabinet: C4612B
- Grille: G4612B
- Low Frequency Transducer: (2) 200mm (8 in.) Cone Transducer

SYSTEM COMPONENTS: (cont'd)

- High Frequency Transducer: 44mm (1.75 in.) Aluminum Diaphragm Compression Driver
- Crossover Network: N4612B

PHYSICAL SPECIFICATIONS:

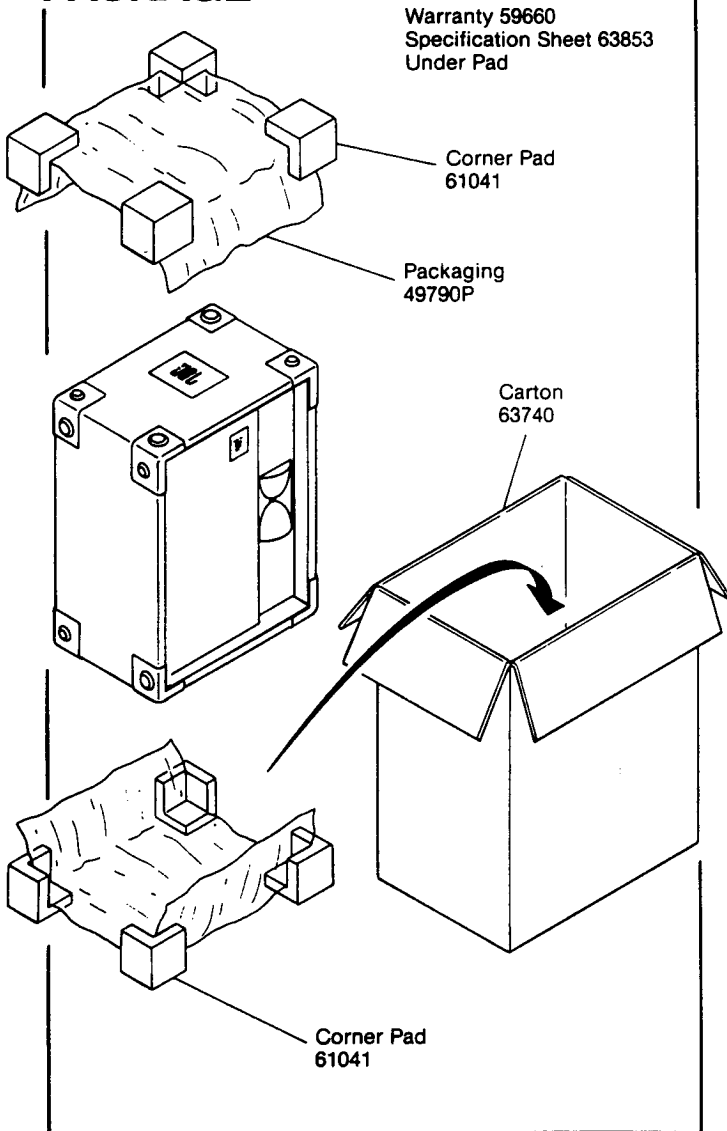
- Enclosure Dimensions: 470mm x 546mm x 260mm D (18.5 x 21.5 x 10.25 in. D)
- Shipping Weight: 45 lbs.

WARRANTY INFORMATION:

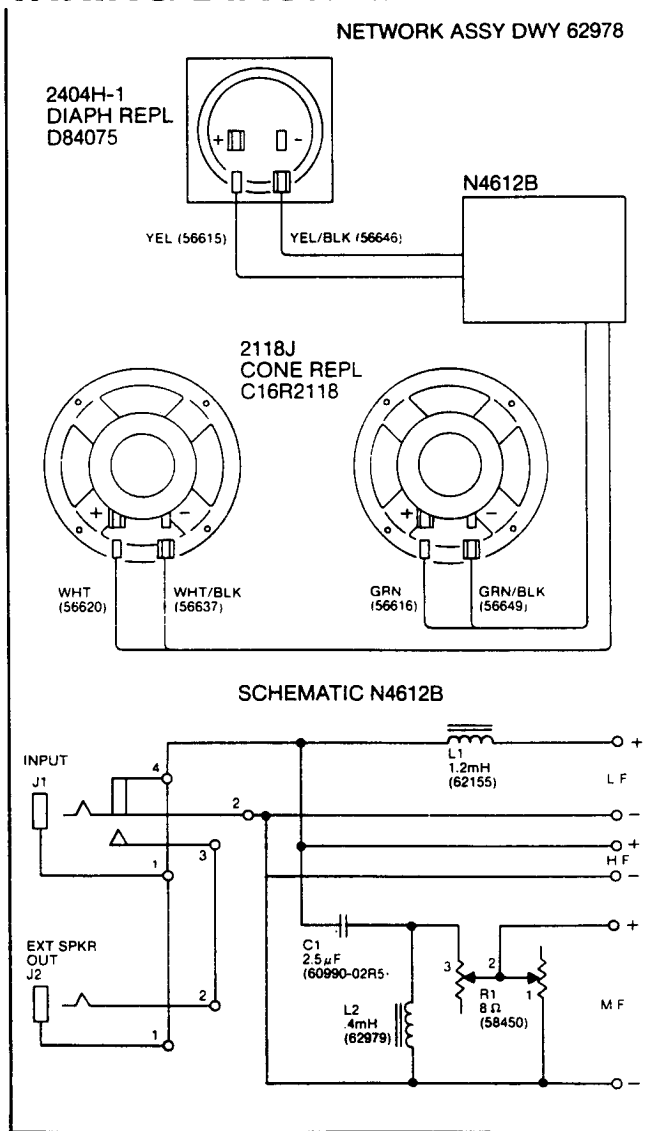
- Refer to the Warranty Statement packed with each product.

*1 Watt (2.83 V RMS) @ 1 Meter

PACKAGE

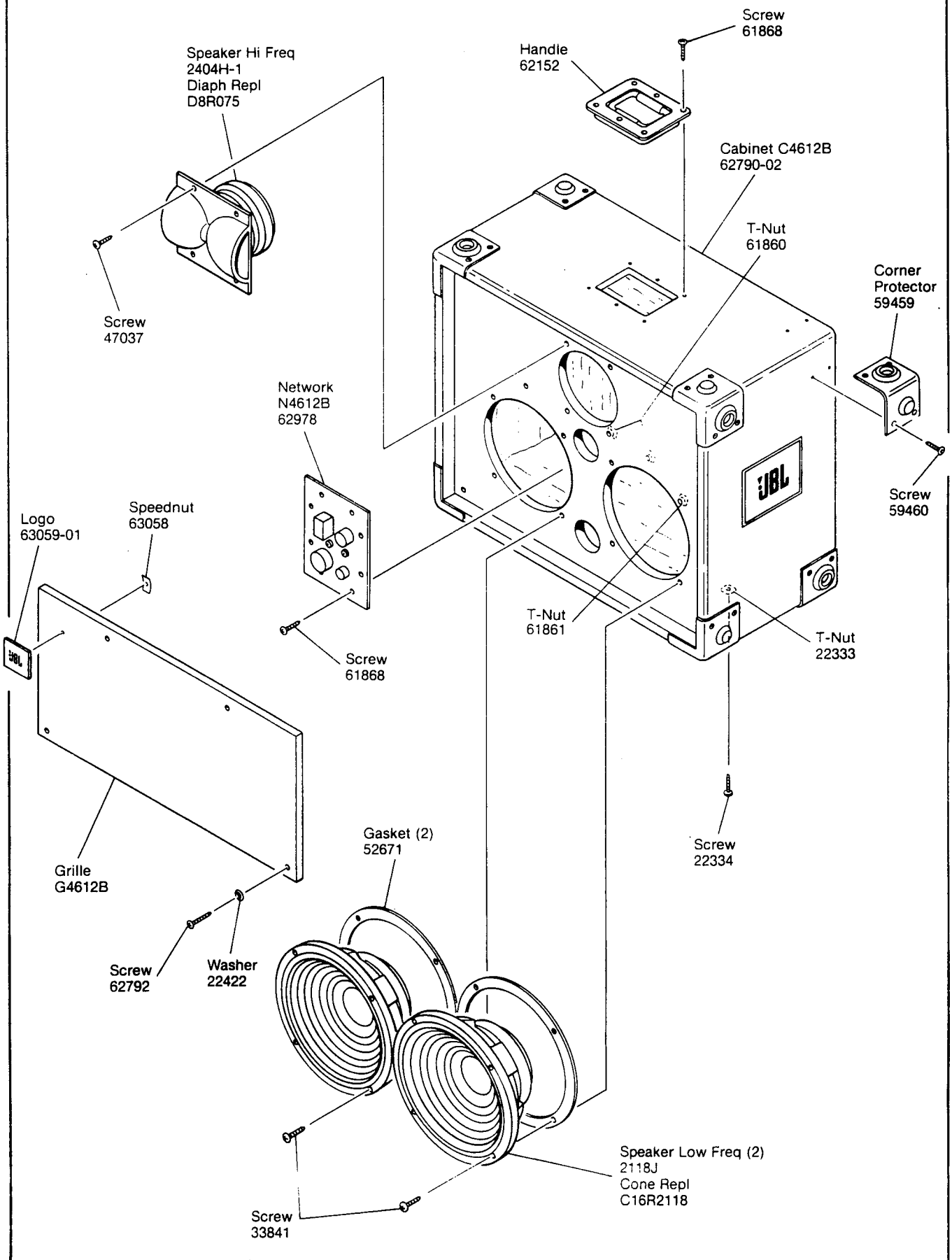


WIRING DIAGRAM



JBL4612B

COMPONENT EXPLODED VIEW



JBL4612B