

# Technical Manual



# JBL4622A

## SPECIFICATIONS

### ACOUSTIC & ELECTRICAL SPECIFICATIONS:

- Nominal Impedance: 4 ohm
- Power Rating: Continuous Program: 600W
- Frequency Response: 50 Hz to 6.0 kHz
- Sensitivity: 106 dB SPL \*
- Crossover Frequencies: N/A

### SYSTEM COMPONENTS:

- Cabinet: C4722A
- Grille: 59495-01

\*1 Watt (2.83 V RMS) @ 1 Meter

### SYSTEM COMPONENTS: (cont'd)

- Low Frequency Transducer: 300mm (12 in.) Cone Transducer (2) (E120-8)
- Crossover Network: N/A

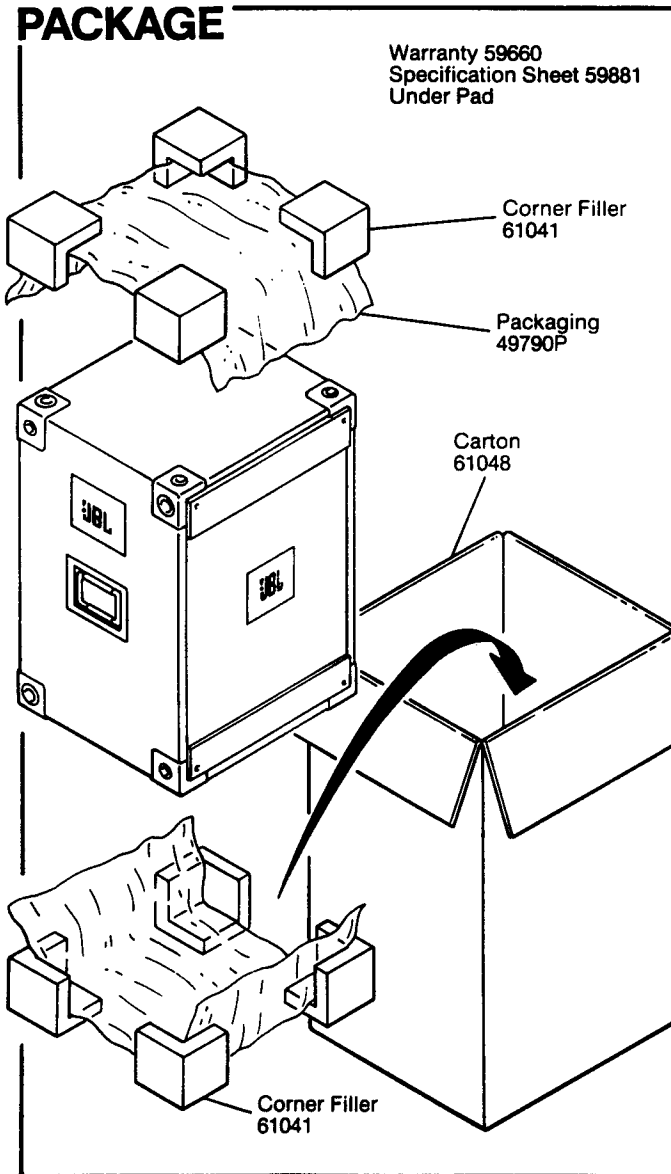
### PHYSICAL SPECIFICATIONS:

- Enclosure Dimensions: 767mm x 512mm x 478mm D (30.18 x 20.12 x 18.18 in. D)
- Shipping Weight: 109-1/2 lbs.

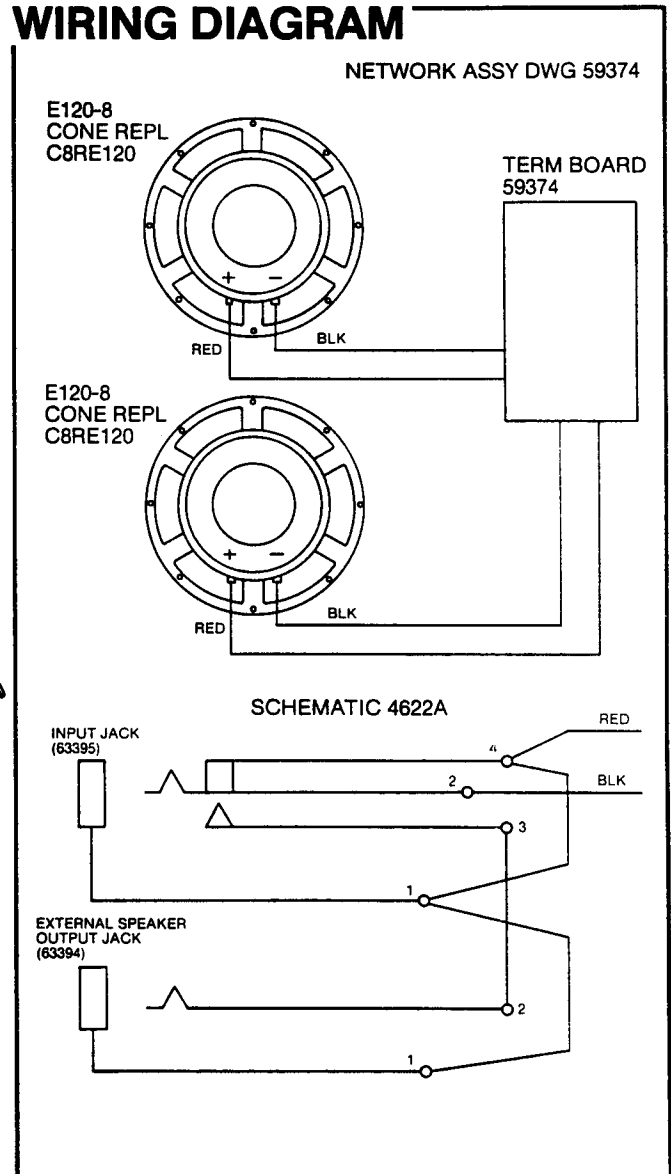
### WARRANTY INFORMATION:

- Refer to the Warranty Statement packed with each product.

## PACKAGE

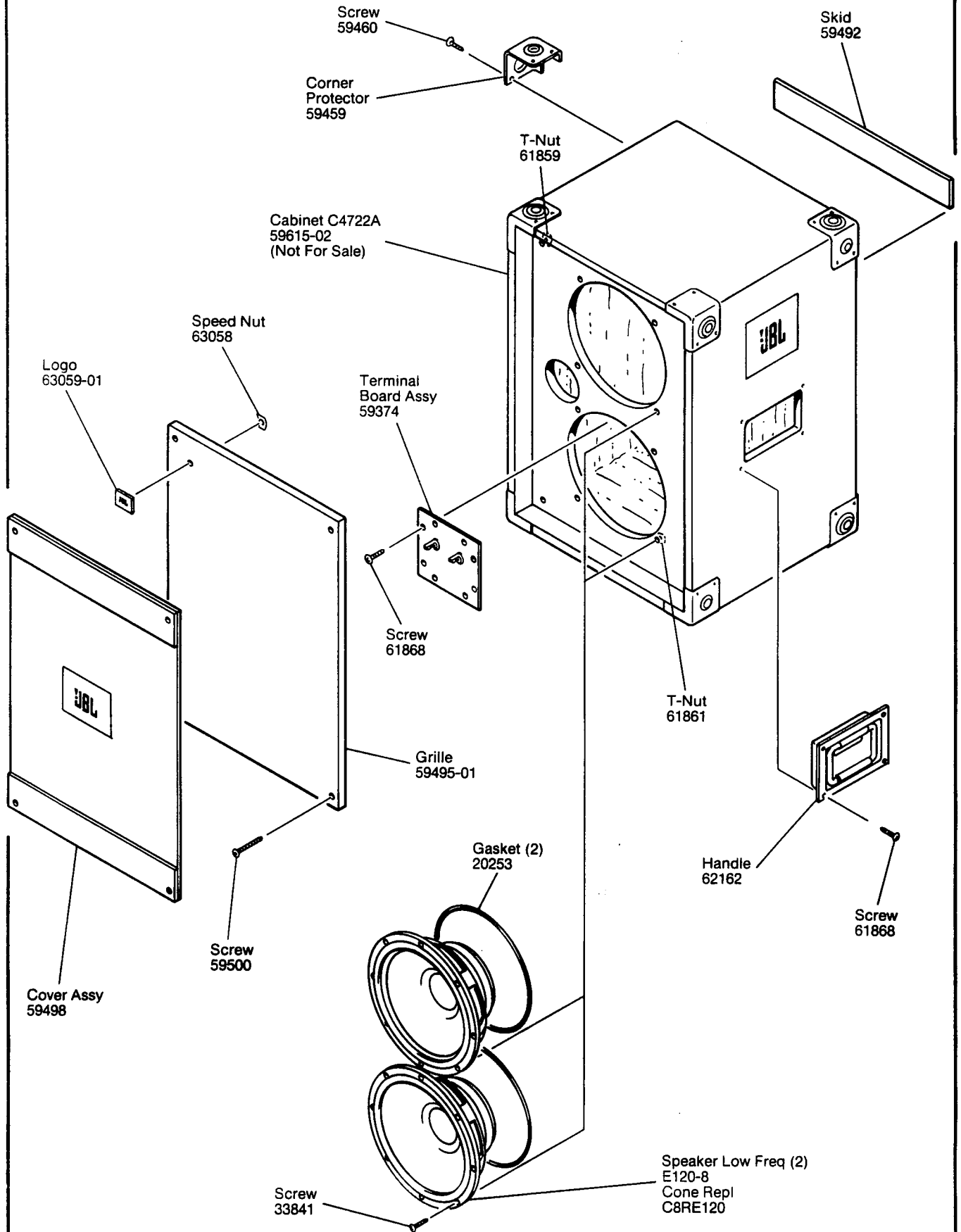


## WIRING DIAGRAM



# JBL4622A

## COMPONENT EXPLODED VIEW



JBL4622A