

Technical Manual



JBL4623B

SPECIFICATIONS

ACOUSTIC & ELECTRICAL SPECIFICATIONS:

- Nominal Impedance: 8 ohm
- Power Capacity: Continuous Sine Wave: 150W
Continuous Program: 300W
- Frequency Range: 50 Hz to 15 kHz (-10dB)
- Sensitivity: 105 dB SPL*
- Crossover Frequencies: 3.0 kHz

SYSTEM COMPONENTS:

- Cabinet: C4623B
- Grille: G4623B (59495-01)
- Low Frequency Transducer: 380mm (15 in.) Cone Transducer (E130-8)
- DC Resistance: 6.3 ohm ± 10% Aluminum Wire

*1 Watt (2.83 V RMS) @ 1 Meter

SYSTEM COMPONENTS: (cont'd)

- High Frequency Transducer: 44mm (1-3/4 in.) Aluminum Diaphragm (2402H)
- DC Resistance: 6.25 ohm ± 8% Aluminum Wire
- Crossover Network: N4602 Two Way (63736-0060)

AURAL SWEEP TEST SPECIFICATIONS:

- A. System Aural Sweep Test: 7.0V Input, 20 Hz to 20 kHz
- B. L.F. Aural Sweep Test: 10.0V Input, 20 Hz to 1.2 kHz
- C. H.F. Aural Sweep Test: 1.0V Input, 1.0 kHz to 20.0 kHz

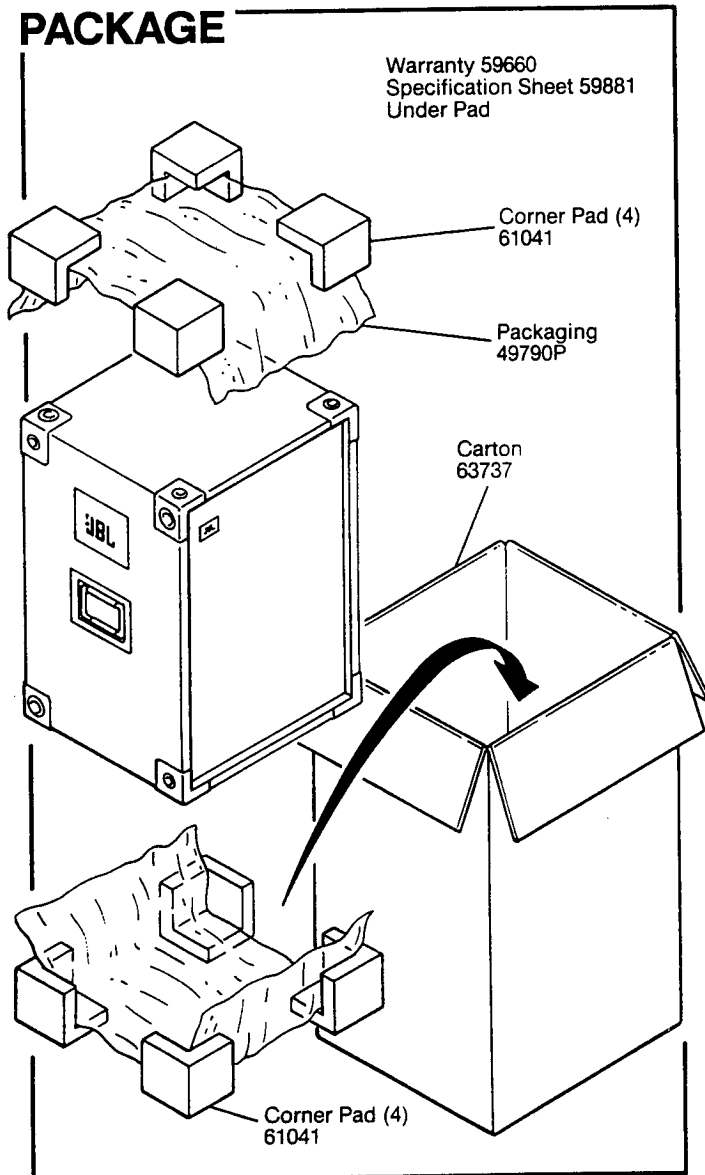
PHYSICAL SPECIFICATIONS:

- Enclosure Dimensions: 767mm x 512mm x 478mm D (30.18 x 20.12 x 18.18 in. D)
- Shipping Weight: 96 lbs. (43.5 kg)

WARRANTY INFORMATION:

- Refer to the Warranty Statement packed with each product.

PACKAGE



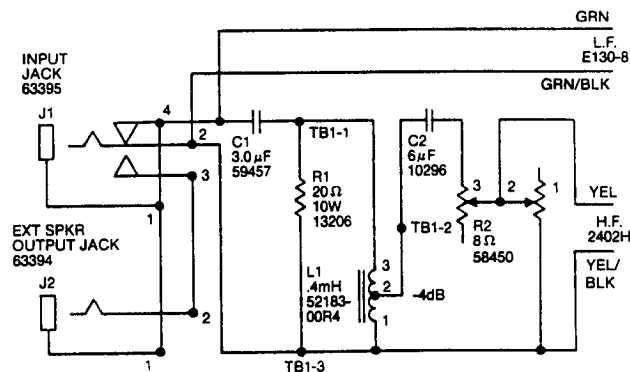
WIRING DIAGRAM

2402H
DIAPH REPL
D8R075

E130-8
CONE REPL
C8RE130

NETWORK
N4602
(63736-0060)

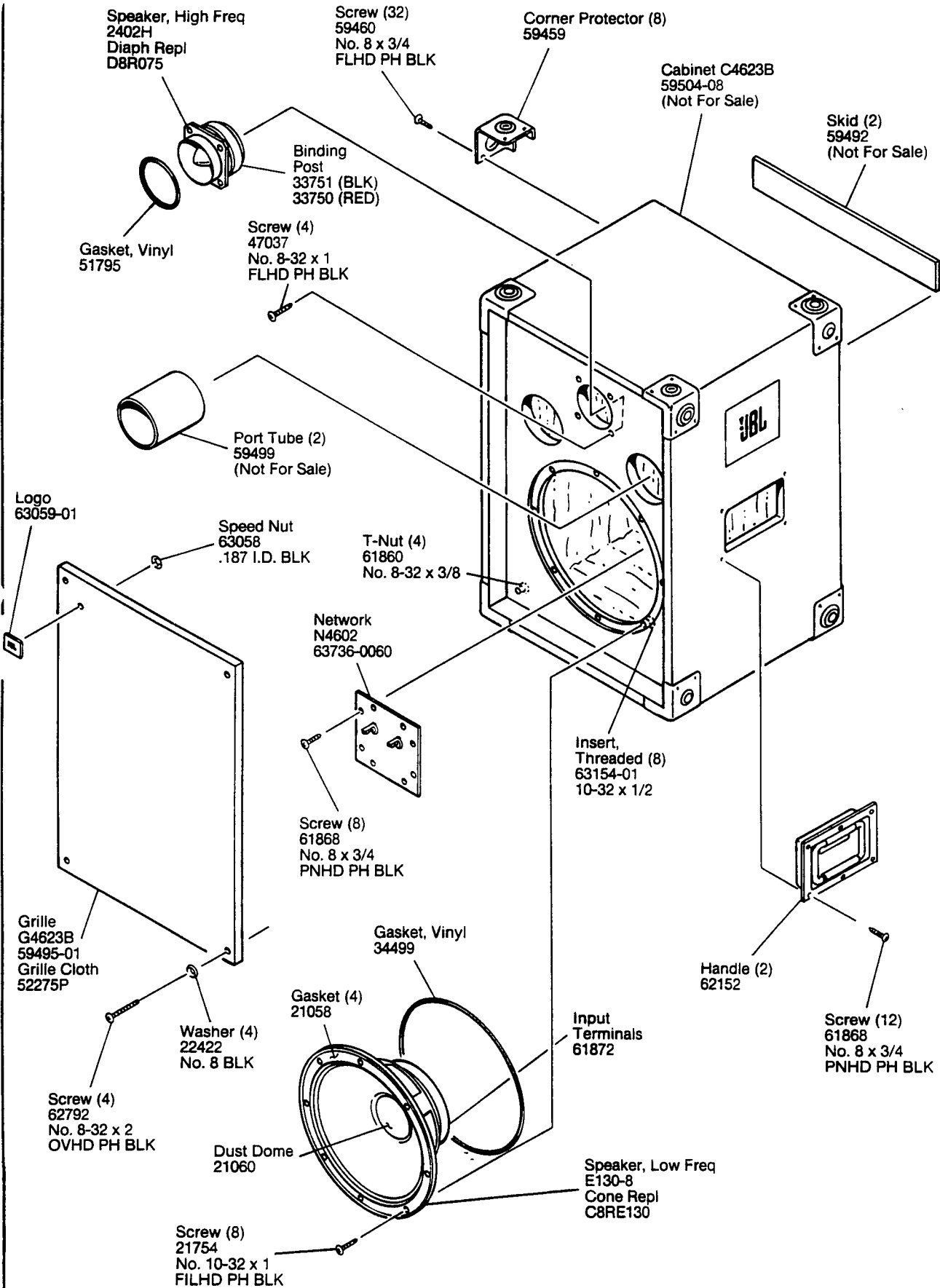
SCHEMATIC N4602B



JBL4623B REV C

JBL4623B

COMPONENT EXPLODED VIEW



JBL4623B