

Technical Manual



JBL4641-4

SPECIFICATIONS

ACOUSTIC & ELECTRICAL SPECIFICATIONS:

- Nominal Impedance: 4 ohm
- Power Capacity: 600W
- Frequency Range: 30 Hz to 3.3 kHz
- Sensitivity: 98 dB SPL*
- Crossover Frequencies: N/A

SYSTEM COMPONENTS:

- Cabinet: C4641-4
- Grille: N/A
- Low Frequency Transducer: 460mm (18 in.) Paper Cone Transducer (2241G)
- DC Resistance: 2.5 ohm ±10% Aluminum Wire

*1 Watt (2.83 V RMS) @ 1 Meter

SYSTEM COMPONENTS: (cont'd)

- Crossover Network: N/A

AURAL SWEEP TEST SPECIFICATIONS:

- A. System Aural Sweep Test: 7.0V Input, 20 Hz to 20 kHz
- B. L.F. Aural Sweep Test: 7.0V Input, 20 Hz to 1.2 kHz

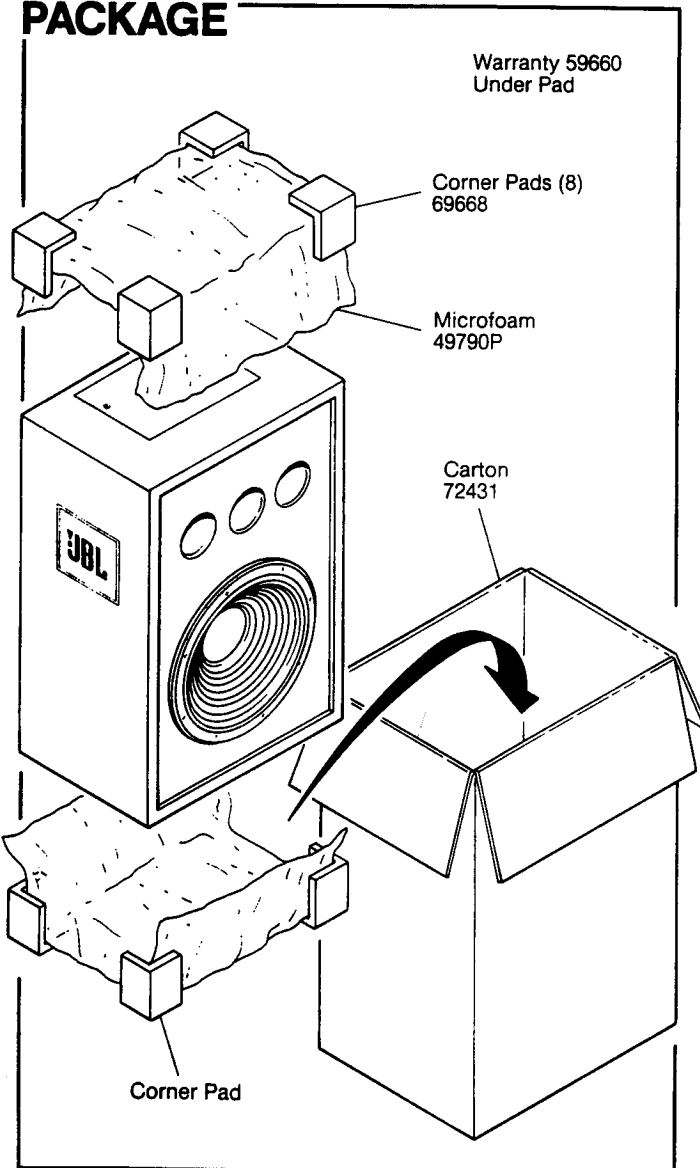
PHYSICAL SPECIFICATIONS:

- Enclosure Dimensions: 991mm x 648mm x 451mm D (39.0 x 25.5 x 17.75 in. D)
- Shipping Weight:

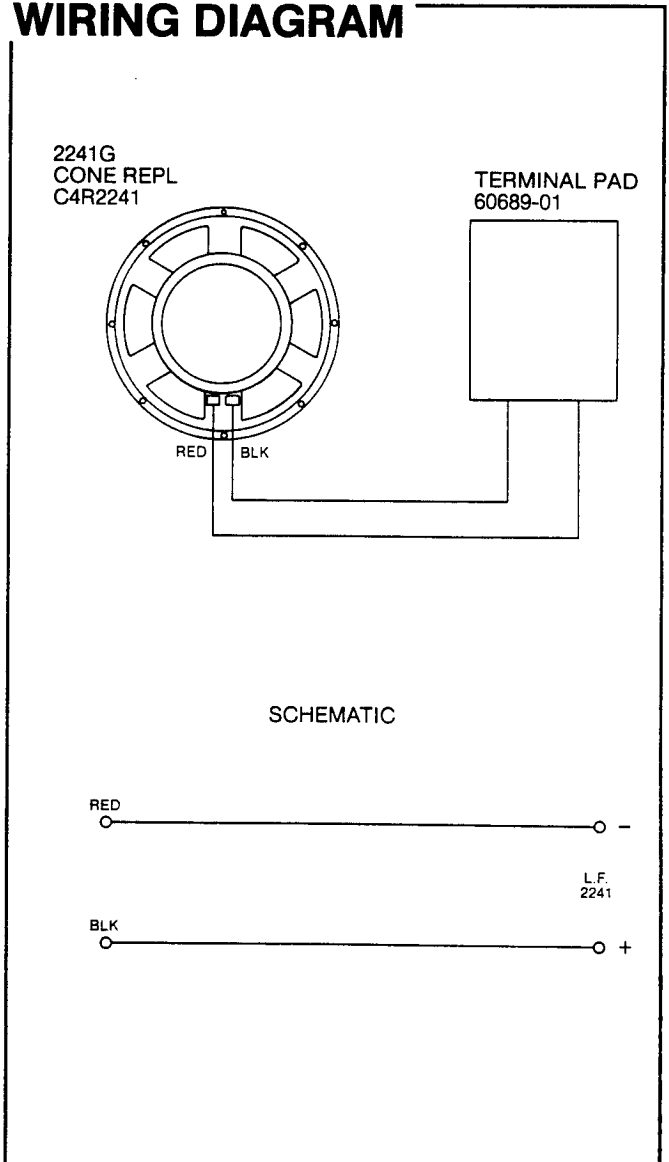
WARRANTY INFORMATION:

- Refer to the Warranty Statement packed with each product.

PACKAGE

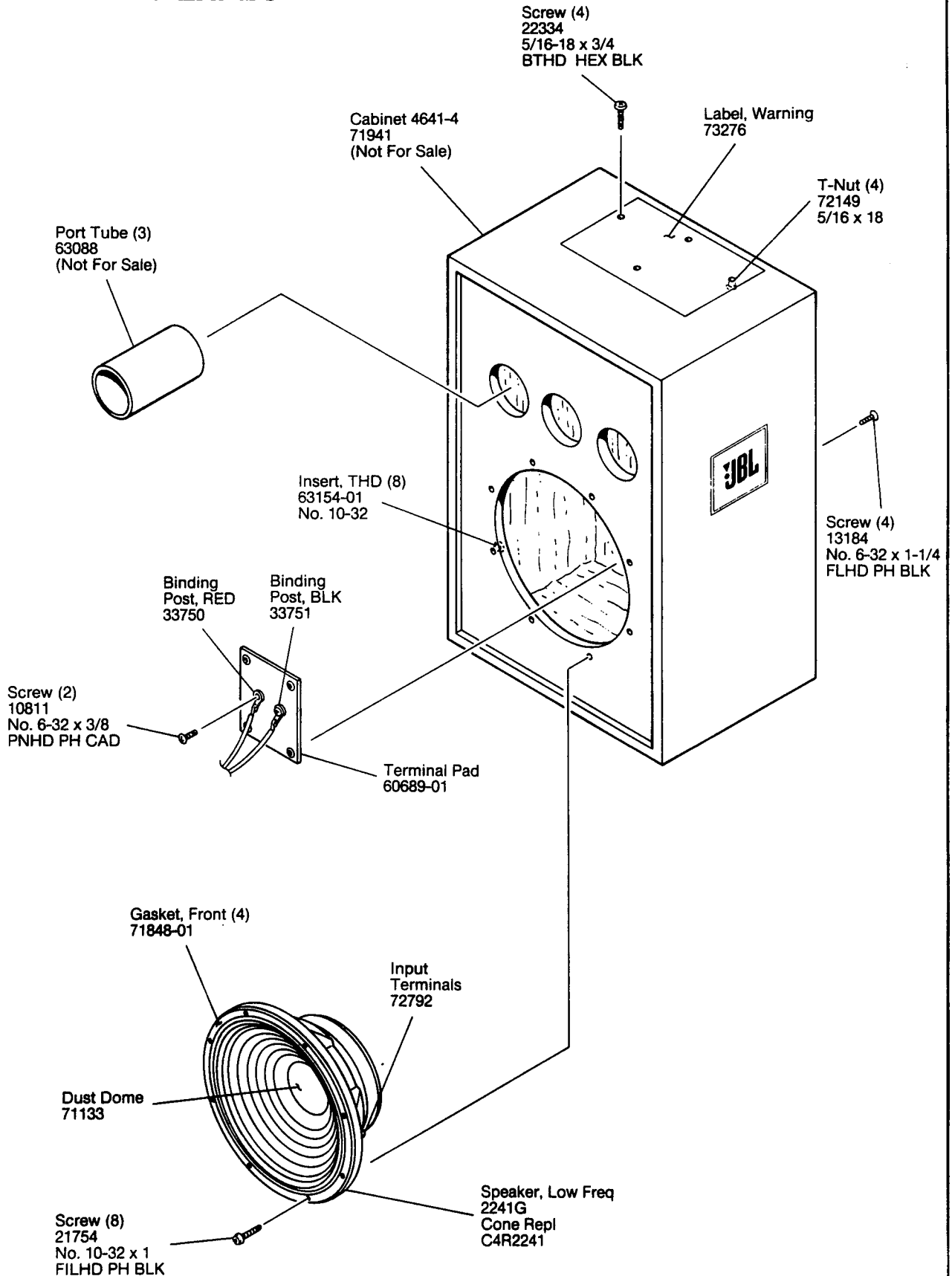


WIRING DIAGRAM



JBL4641-4

COMPONENT EXPLODED VIEW



JBL4641-4