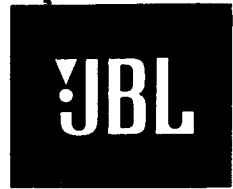


# Technical Manual



# JBL4646 LOW FREQUENCY SYSTEM

## SPECIFICATIONS

### ACOUSTIC & ELECTRICAL SPECIFICATIONS:

- Nominal Impedance: 8 ohm
- Power Rating: 150W, Sine Wave  
300 W, Continuous Program
- Frequency Response: Usable Response to 50 Hz
- Sensitivity: 96 dB SPL\*
- Crossover Frequencies: N/A

### SYSTEM COMPONENTS:

- Cabinet: C4512
- Grille: N/A

### SYSTEM COMPONENTS: (cont'd)

- Low Frequency Transducer: 300mm (12 in.)  
Cone Transducer
- Crossover Network: N/A

### PHYSICAL SPECIFICATIONS:

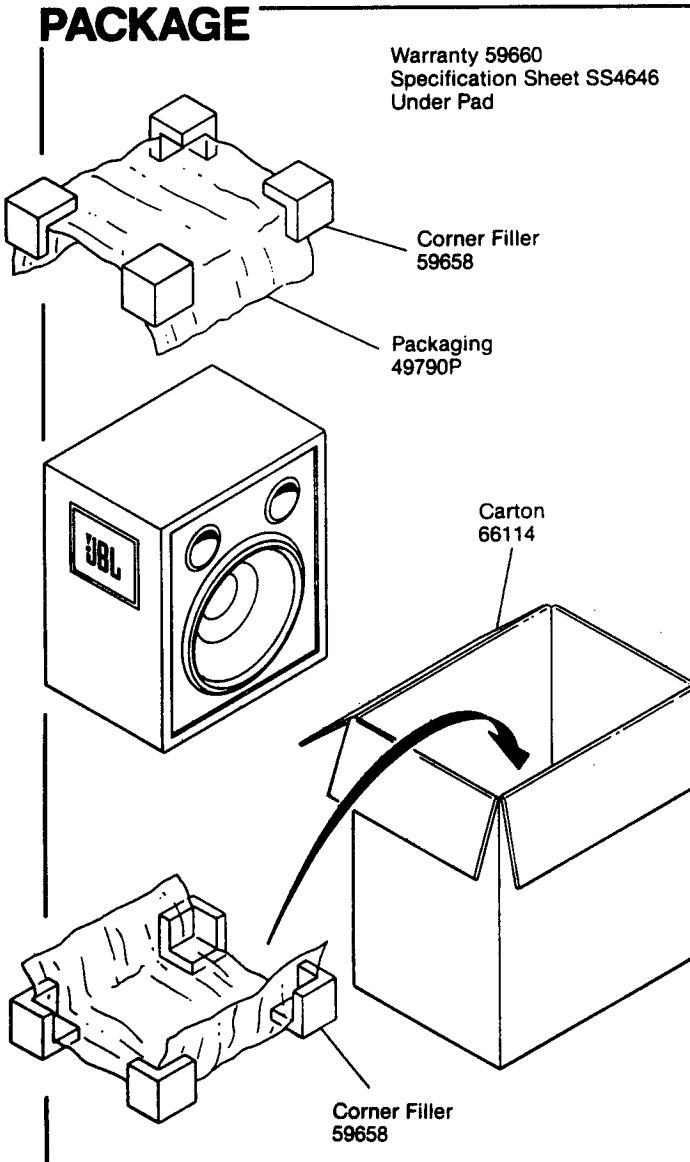
- Enclosure Dimensions: 406mm x 470mm x 273mm D  
(16.0 x 18.5 x 10.75 in. D)
- Shipping Weight: 40 lbs.

### WARRANTY INFORMATION:

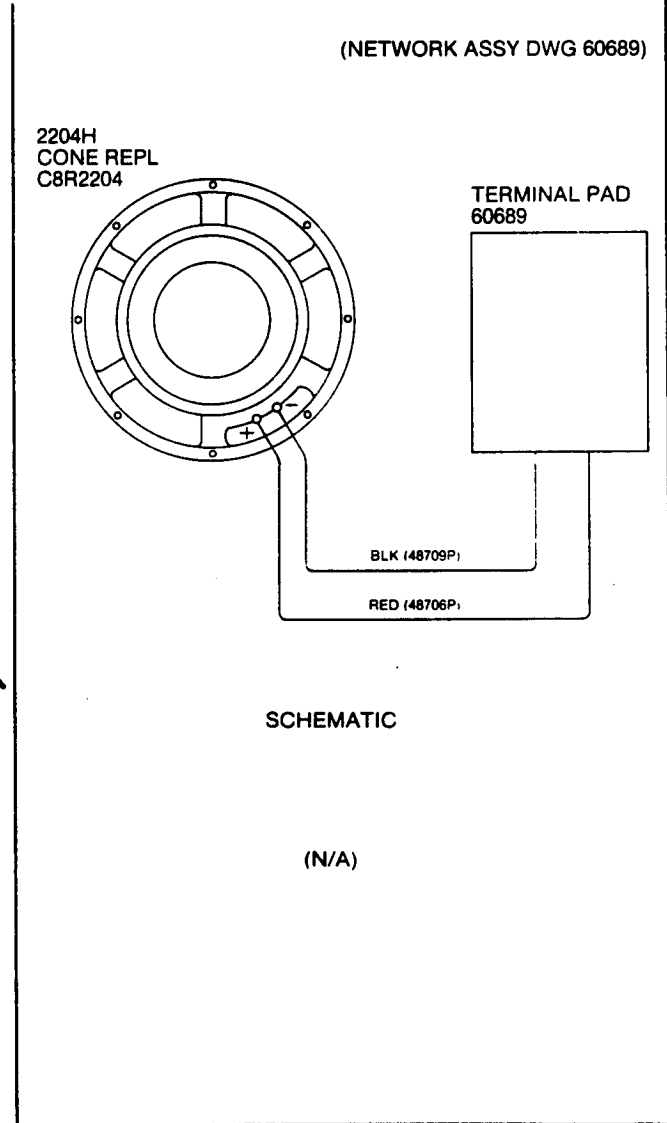
- Refer to the Warranty Statement packed with each product.

\*1 Watt (2.83 V RMS) @ 1 Meter

## PACKAGE



## WIRING DIAGRAM



# JBL4646

## COMPONENT EXPLODED VIEW

