

# Technical Manual



# JBL4648-8 LOW FREQUENCY SYSTEM

## SPECIFICATIONS

### ACOUSTIC & ELECTRICAL SPECIFICATIONS:

- Nominal Impedance: 16 ohm
- Power Rating: 200 Watts, Sine Wave  
400 Watts, Continuous Program
- Frequency Response: 30 Hz to 2 kHz
- Sensitivity: 97 dB SPL\*
- Crossover Frequencies: 1200 Hz

### SYSTEM COMPONENTS:

- Cabinet: C4508
- Grille: N/A

\*1 Watt (2.83 V RMS) @ 1 Meter

### SYSTEM COMPONENTS: (cont'd)

- Low Frequency Transducer: 380mm (15 in.) Cone Transducer
- Crossover Network: N/A

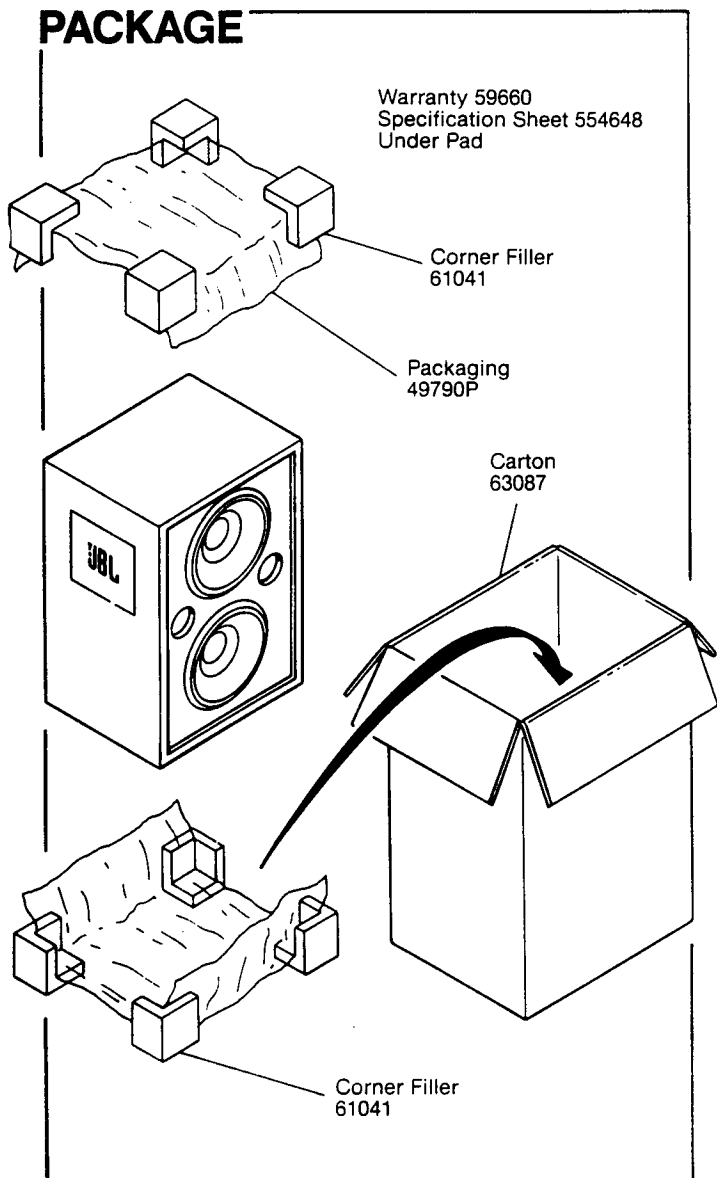
### PHYSICAL SPECIFICATIONS:

- Enclosure Dimensions: 1060mm x 667mm x 464mm D  
(41.75 x 26.5 x 18.25 in. D)
- Shipping Weight: 108½ lbs.

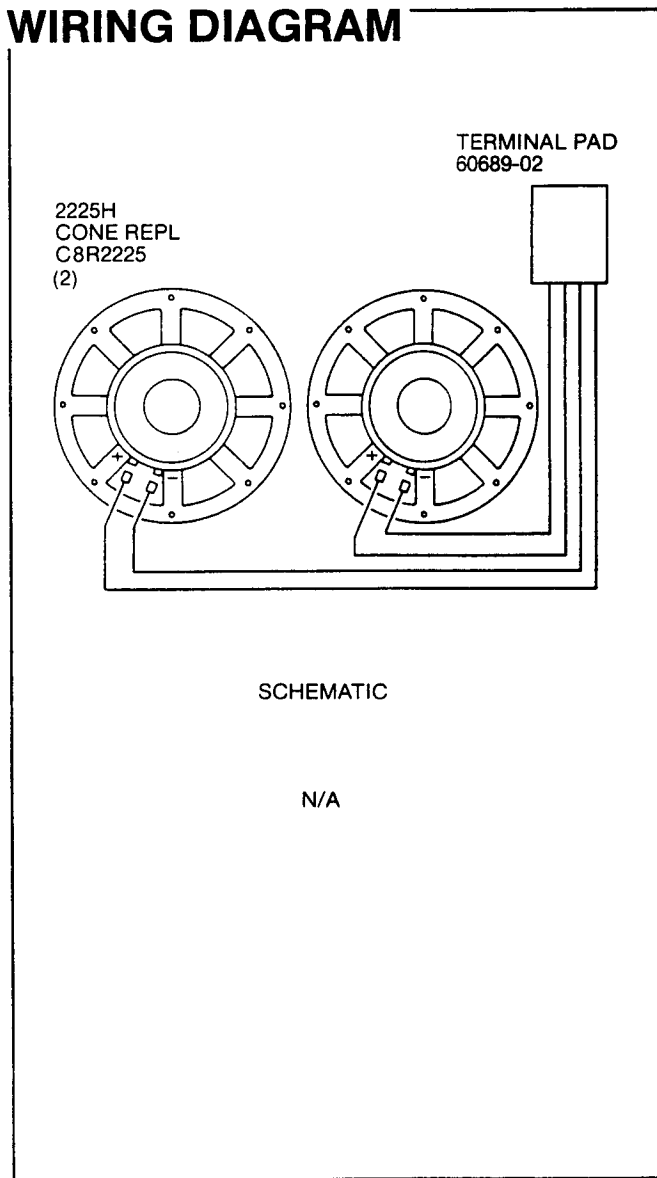
### WARRANTY INFORMATION:

- Refer to the Warranty Statement packed with each product.

## PACKAGE

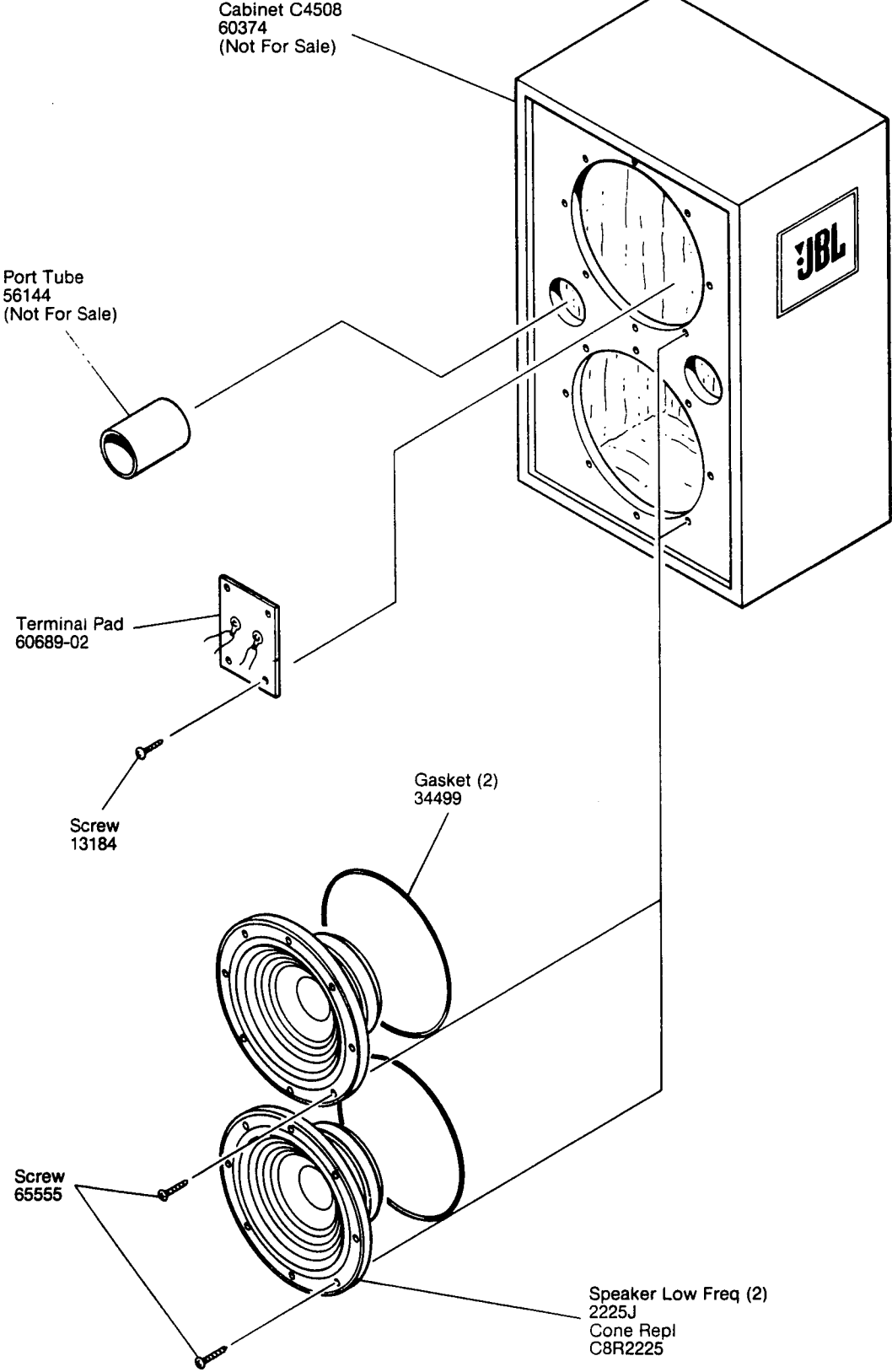


## WIRING DIAGRAM



# JBL4648-8

## COMPONENT EXPLODED VIEW



JBL4648-8