

Technical Manual



JBL4648 LOW FREQUENCY SYSTEM

SPECIFICATIONS

ACOUSTIC & ELECTRICAL SPECIFICATIONS:

- Nominal Impedance: 4 ohm
- Power Rating: 400 Watts, Sine Wave
800 Watts, Continuous Program
- Frequency Response: 30 Hz to 2 kHz
- Sensitivity: 97 dB SPL*
- Crossover Frequencies: 1200 Hz

SYSTEM COMPONENTS:

- Cabinet: C4508
- Grille: N/A

*1 Watt (2.83 V RMS) @ 1 Meter

SYSTEM COMPONENTS: (cont'd)

- Low Frequency Transducer: 380mm (15 in.) Cone Transducer
- Crossover Network: N/A

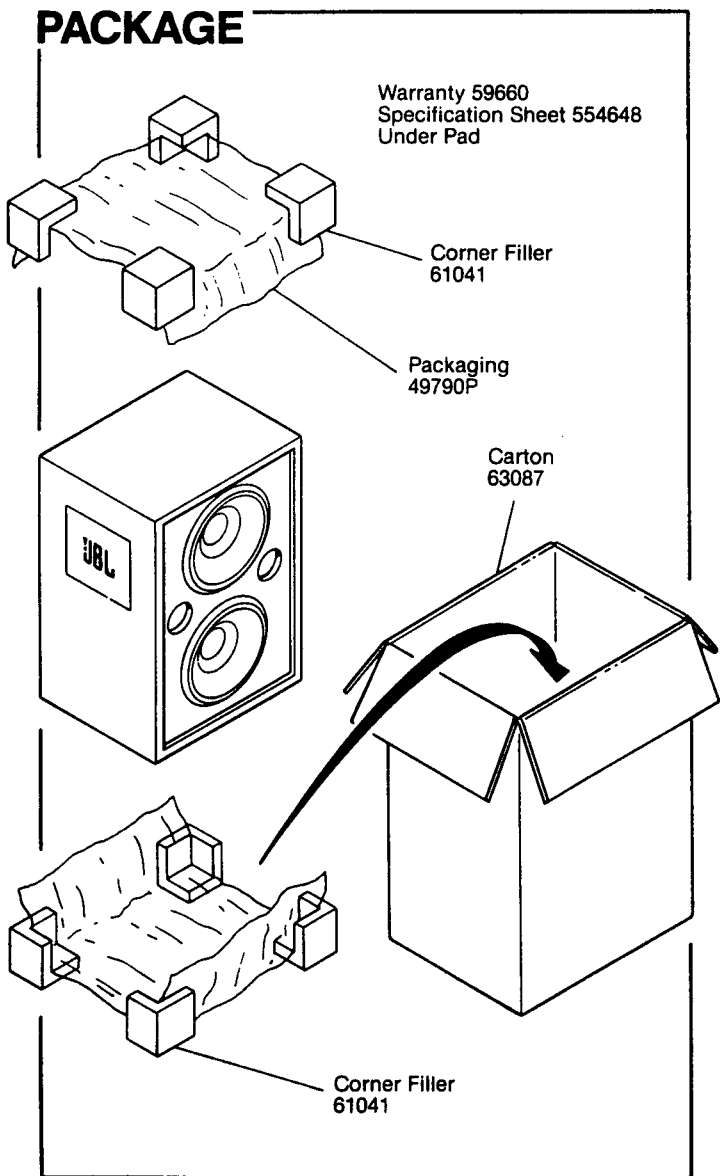
PHYSICAL SPECIFICATIONS:

- Enclosure Dimensions: 1060mm x 667mm x 464mm D
(41.75 x 26.5 x 18.25 in. D)
- Shipping Weight: 108½ lbs.

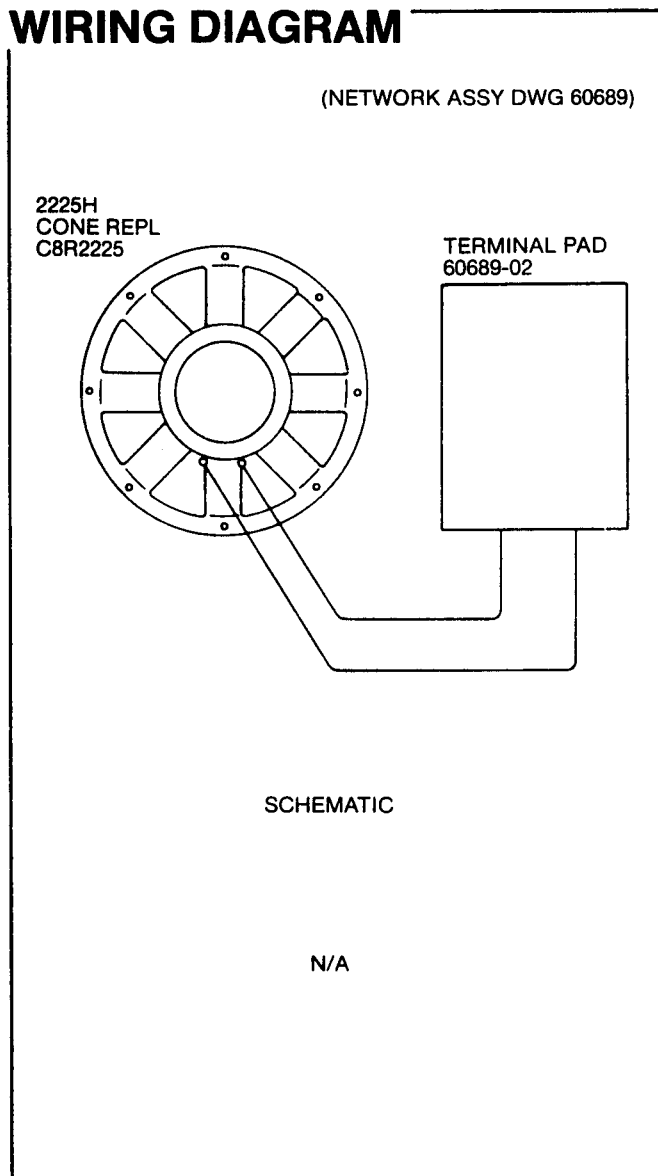
WARRANTY INFORMATION:

- Refer to the Warranty Statement packed with each product.

PACKAGE



WIRING DIAGRAM



JBL4648

COMPONENT EXPLODED VIEW

