

Technical Manual



JBL4660A DEFINED COVERAGE LOUDSPEAKER SYSTEM

SPECIFICATIONS

ACOUSTIC & ELECTRICAL SPECIFICATIONS:

- Nominal Impedance: 8 ohm
- Power Rating: Continuous Pink Noise: 150W
- Frequency Response: 80 Hz to 12 kHz (± 4 dB)
- Sensitivity: 99 dB SPL*
- Crossover Frequencies: 800 Hz

SYSTEM COMPONENTS:

- Cabinet: C4660
- Grille: 65136
- Low Frequency Transducer: 380mm (15 in.) Cone Transducer (2226HPL)
- DC Resistance: 5.0 ohm $\pm 10\%$ Aluminum Wire

*1 Watt (2.83 V RMS) @ 1 Meter

SYSTEM COMPONENTS: (cont'd)

- High Frequency Transducer: 44mm (1-3/4 in.) Pure Titanium Compression Driver (2426J)
- DC Resistance: 6.5 ohm $\pm 8\%$ Aluminum Wire
- Crossover Network: N4660 (65137-0060)

AURAL SWEEP TEST SPECIFICATIONS:

- A. System Aural Sweep Test: 7.0V Input, 20 Hz to 20 kHz
- B. L.F. Aural Sweep Test: 10.0V Input, 20 Hz to 1.2 kHz
- C. H.F. Aural Sweep Test: 2.83V Input, 550 Hz to 1.2 kHz

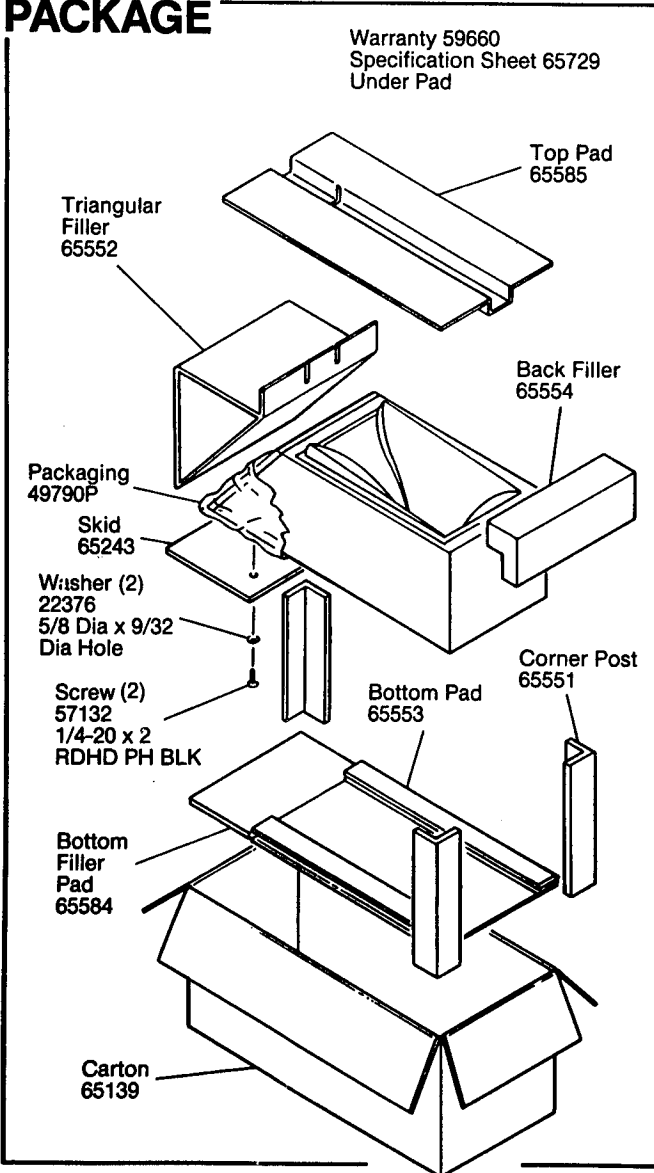
PHYSICAL SPECIFICATIONS:

- Enclosure Dimensions: 1102mm x 607mm x 518mm D (43.37 x 24.0 x 20.37 in. D)
- Shipping Weight: 161 lbs. (73 kg)

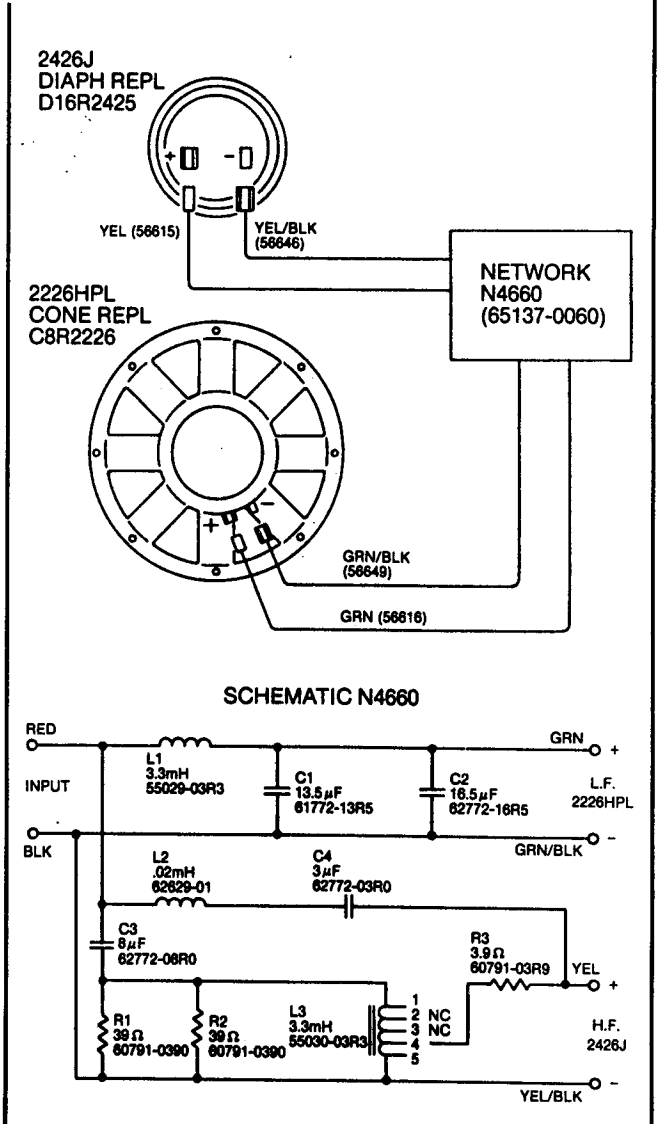
WARRANTY INFORMATION:

- Refer to the Warranty Statement packed with each product.

PACKAGE



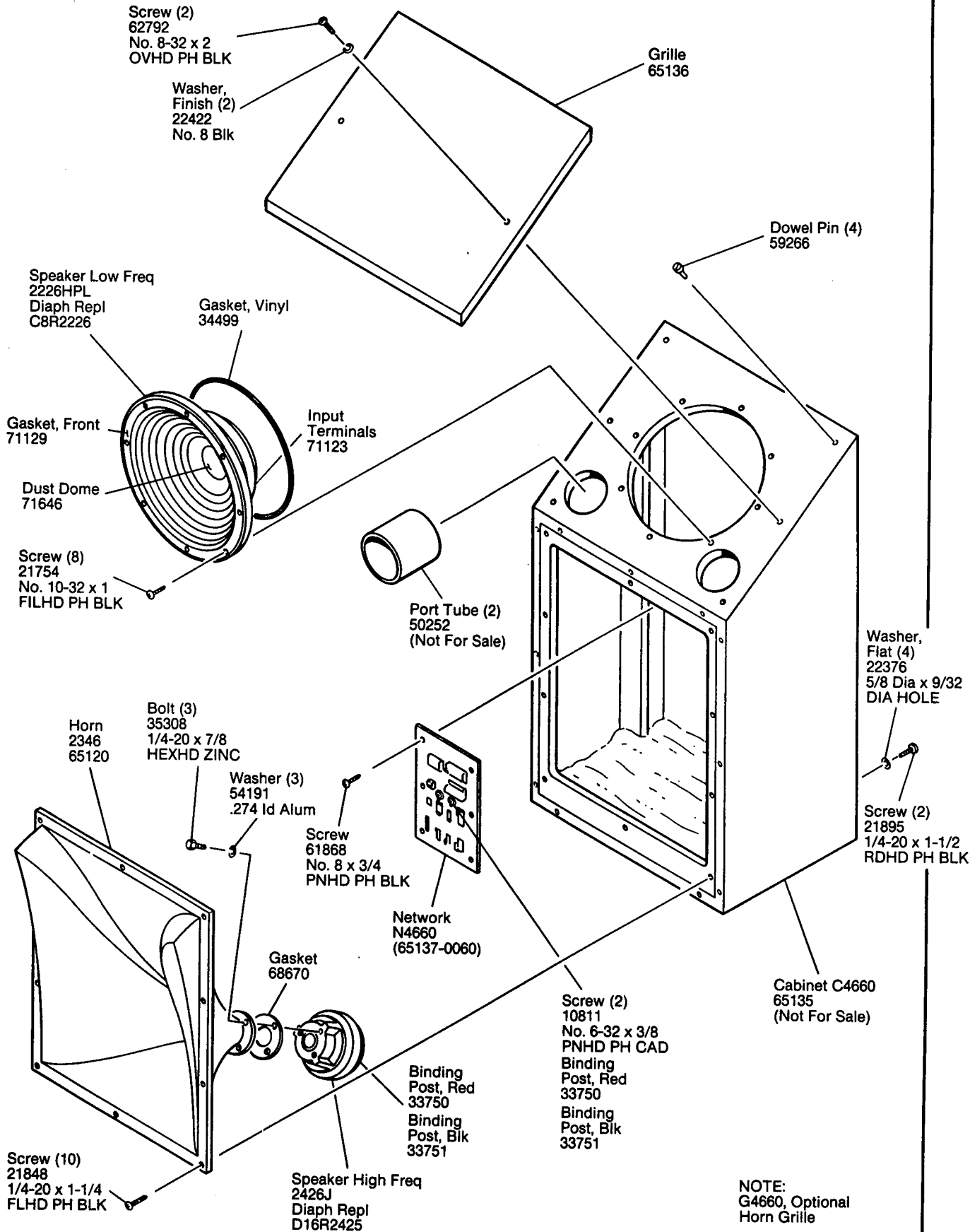
WIRING DIAGRAM



JBL4660A REV C

JBL4660A

COMPONENT EXPLODED VIEW



JBL4660A