

Technical Manual



JBL4670B

SPECIFICATIONS

ACOUSTIC & ELECTRICAL SPECIFICATIONS:

- Nominal Impedance: 8 ohm
- Power Rating: Continuous Program: 600W
Continuous Pink Noise: 300W
- Frequency Response: 35 Hz to 20 kHz
- Sensitivity: 100 dB SPL*
- Crossover Frequencies: 500 Hz

SYSTEM COMPONENTS:

- Cabinet: C4508
- Grille: N/A

*1 Watt (2.83 V RMS) @ 1 Meter

SYSTEM COMPONENTS: (cont'd)

- Low Frequency Transducer: 380mm (15 in.) 2 Units
Cone Transducer, 2225H
- High Frequency Transducer: 100mm (4 in.) Pure
Titanium Diaphragm, 2445J
- Crossover Network: 3160

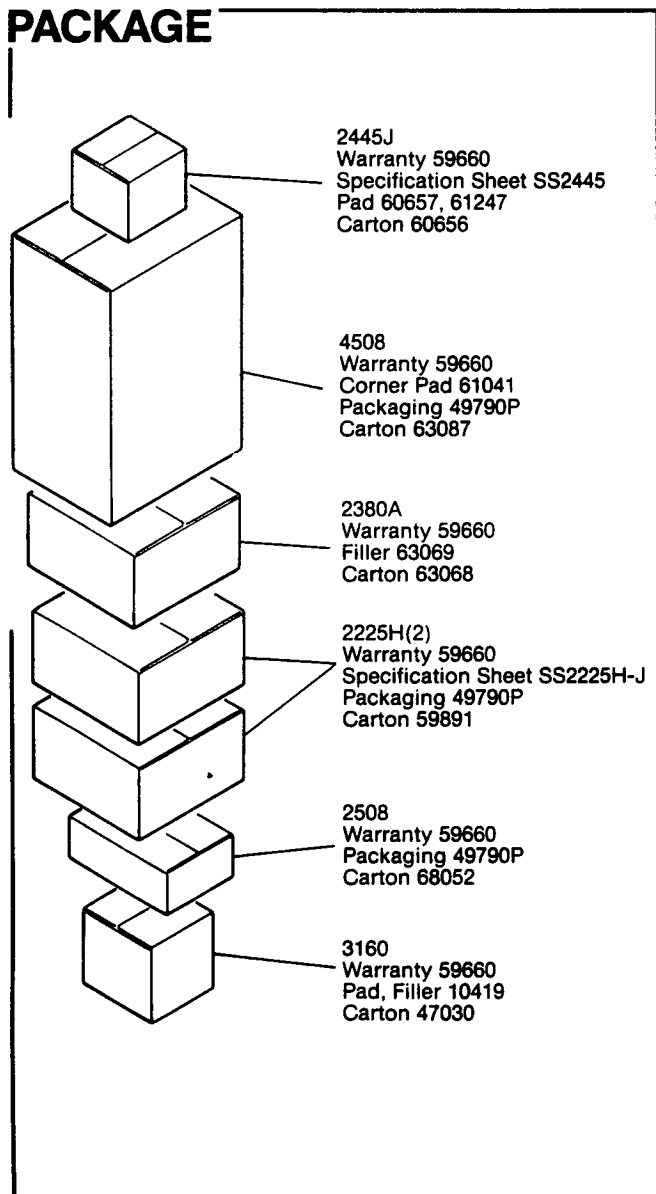
PHYSICAL SPECIFICATIONS:

- Enclosure Dimensions: 1289mm x 673mm x 438mm D
(50.75 x 26.5 x 17.25 in. D)
- Shipping Weight: 203 lbs.

WARRANTY INFORMATION:

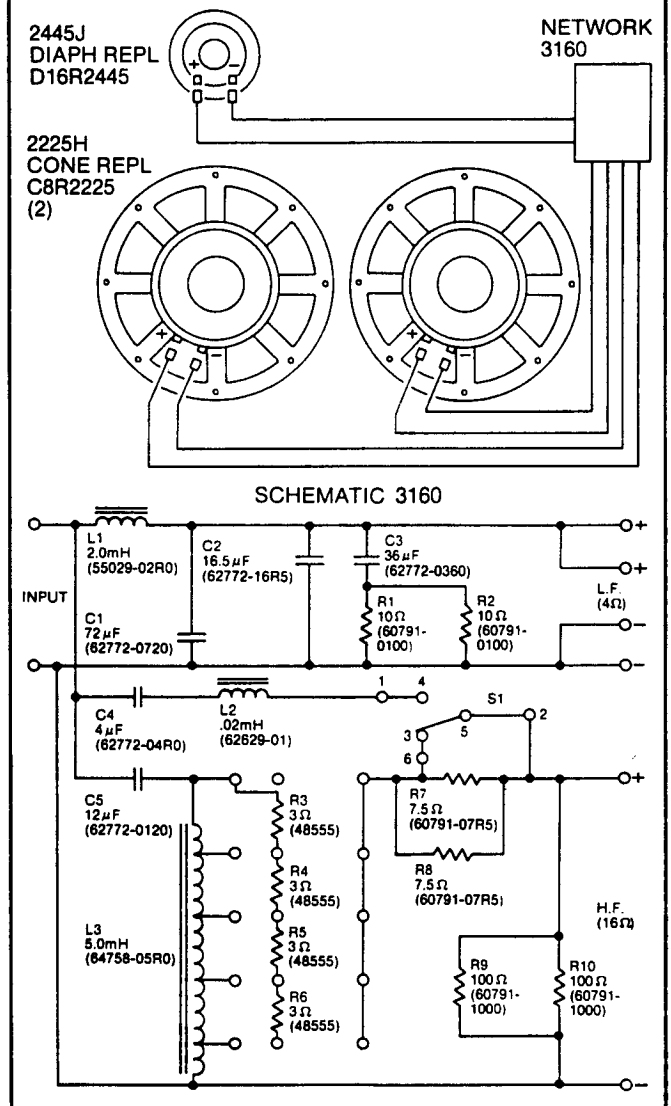
- Refer to the Warranty Statement packed with each product.

PACKAGE



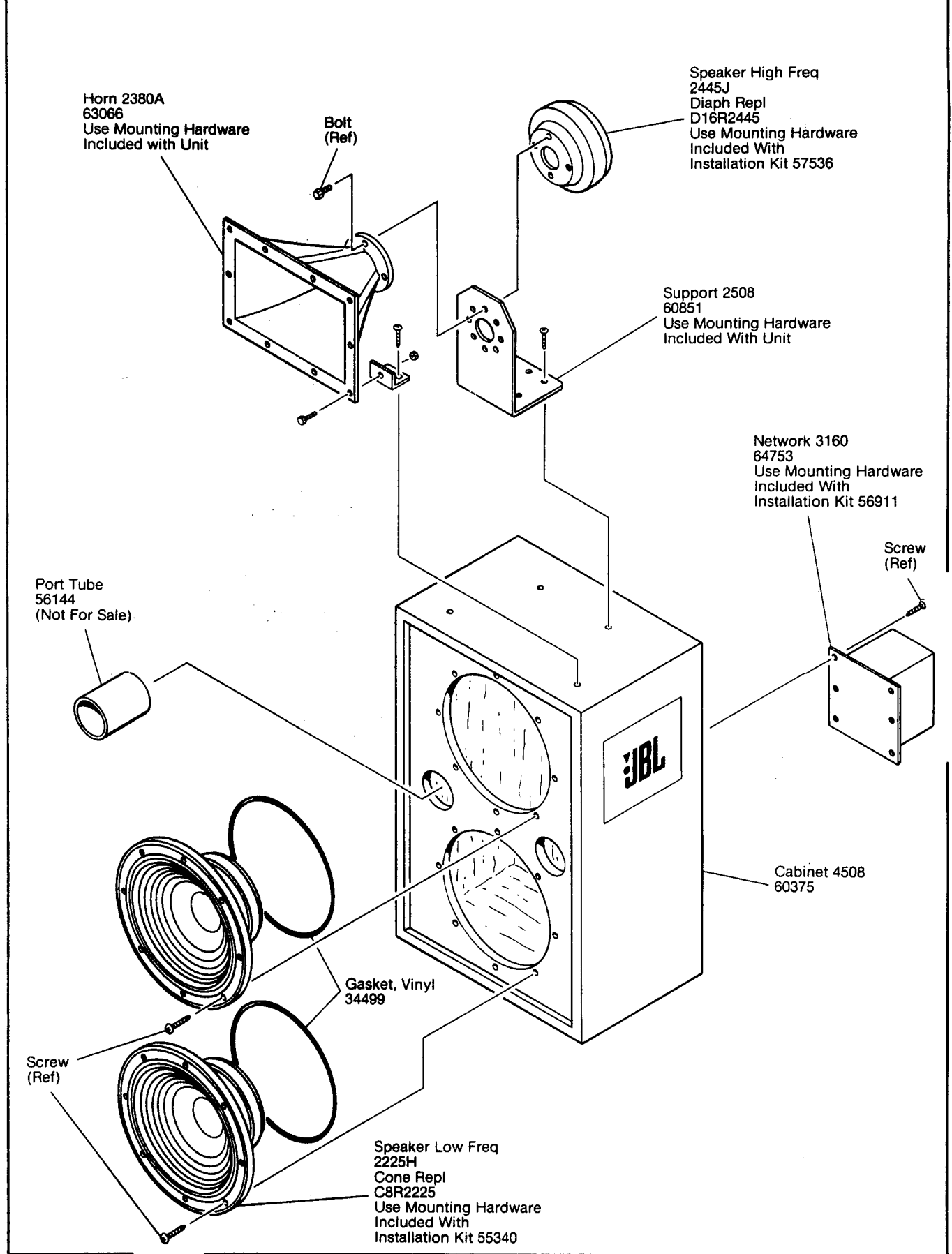
WIRING DIAGRAM

(NETWORK ASSY DWG 64753)



JBL4670B

COMPONENT EXPLODED VIEW



JBL4670B