

# Technical Manual



# JBL4671 ENCLOSED UTILITY SOUND REINFORCEMENT SYSTEM

## SPECIFICATIONS

### ACOUSTIC & ELECTRICAL SPECIFICATIONS:

- Nominal Impedance: 8 ohm
- Power Rating: Continuous Pink Noise: 200W
- Frequency Response: 40 Hz to 16 kHz ( $\pm 4$ dB)
- Sensitivity: 97 dB SPL\*
- Crossover Frequencies: 800 Hz

### SYSTEM COMPONENTS:

- Cabinet: C4671
- Grille: G4671
- Low Frequency Transducer: 380mm (15 in.) Cone Transducer

### SYSTEM COMPONENTS: (cont'd)

- High Frequency Transducer: 25mm (1 in.) Pure Titanium Diaphragm Compression Driver
- Crossover Network: N4671

### PHYSICAL SPECIFICATIONS:

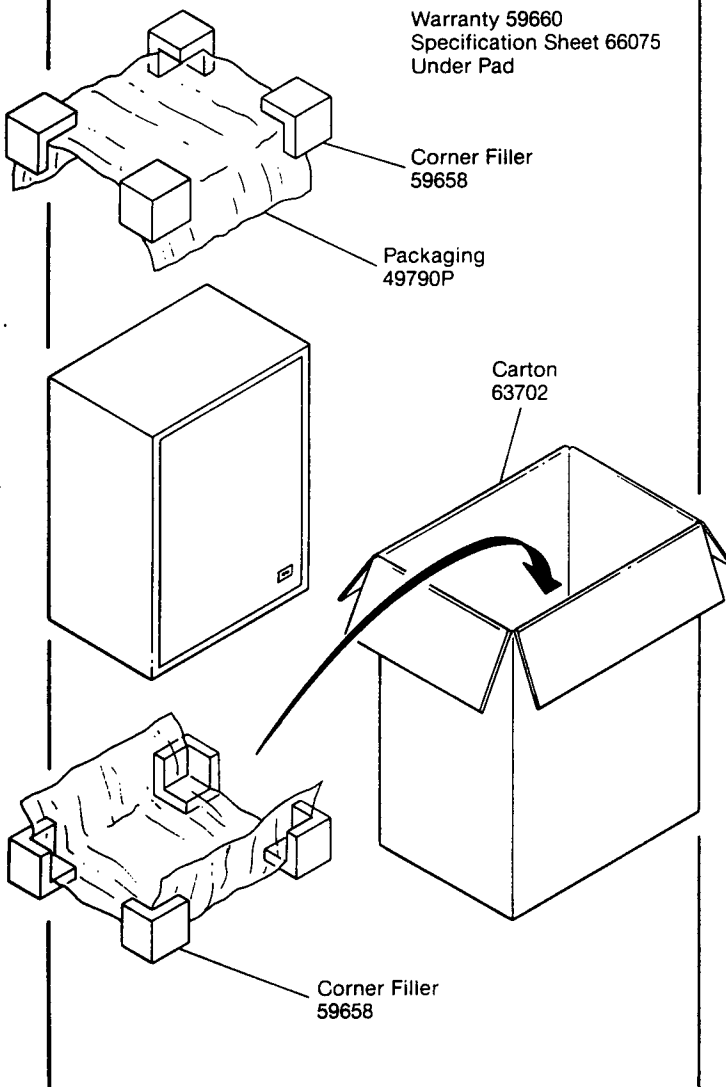
- Enclosure Dimensions: 775mm x 546mm x 448mm D (30.5 x 21.5 x 17.62 in. D)
- Shipping Weight: 103 lbs.

### WARRANTY INFORMATION:

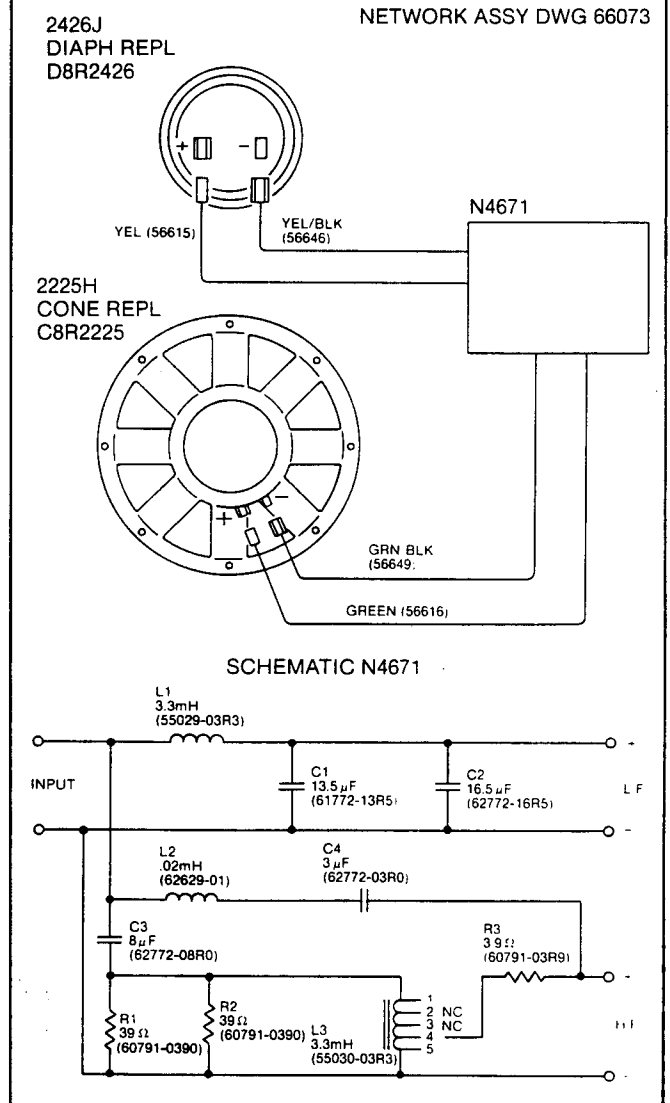
- Refer to the Warranty Statement packed with each product.

\*1 Watt (2.83 V RMS) @ 1 Meter

## PACKAGE



## WIRING DIAGRAM



## COMPONENT EXPLODED VIEW

