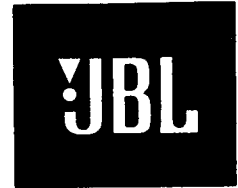


Technical Manual



JBL46710K ENCLOSED UTILITY SOUND REINFORCEMENT SYSTEM

SPECIFICATIONS

ACOUSTIC & ELECTRICAL SPECIFICATIONS:

- Nominal Impedance: 8 ohm
- Power Rating: Continuous Pink Noise: 200W
- Frequency Response: 40 Hz to 16 kHz (± 4 dB)
- Sensitivity: 97 dB SPL*
- Crossover Frequencies: 800 Hz

SYSTEM COMPONENTS:

- Cabinet: C46710K
- Grille: G46710K
- Low Frequency Transducer: 380mm (15 in.) Cone Transducer

SYSTEM COMPONENTS: (cont'd)

- High Frequency Transducer: 25mm (1 in.) Pure Titanium Diaphragm Compression Driver
- Crossover Network: N4671

PHYSICAL SPECIFICATIONS:

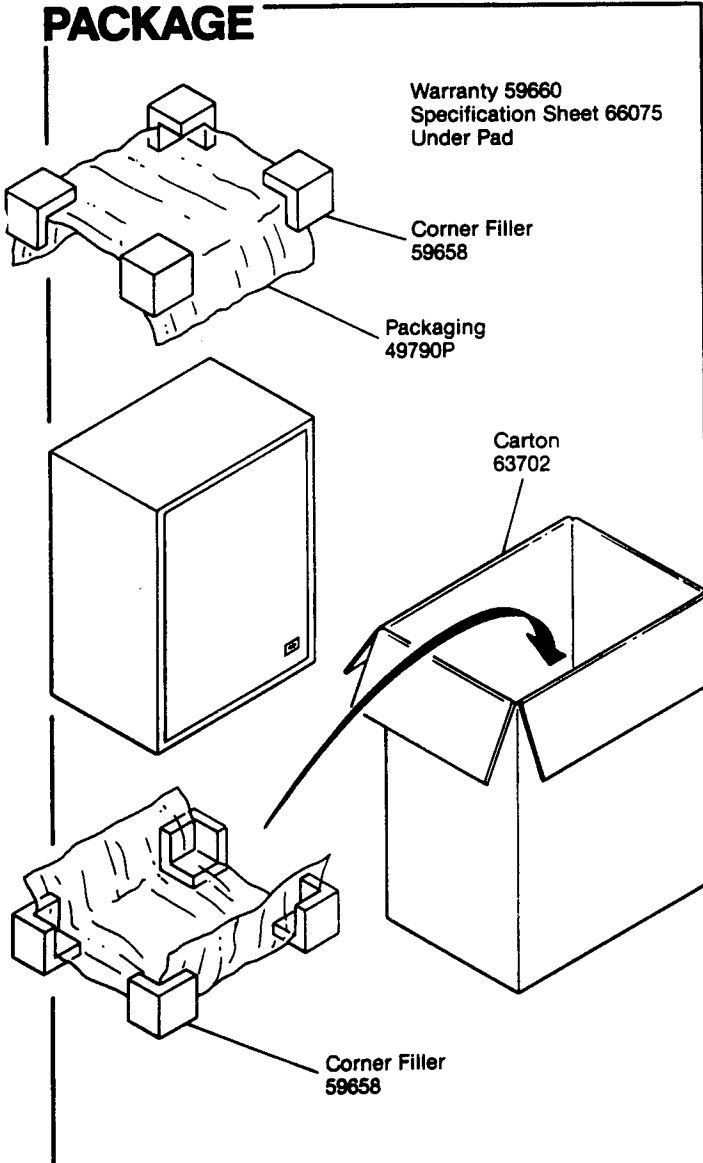
- Enclosure Dimensions: 775mm x 546mm x 448mm D (30.5 x 21.5 x 17.62 in. D)
- Shipping Weight: 103 lbs.

WARRANTY INFORMATION:

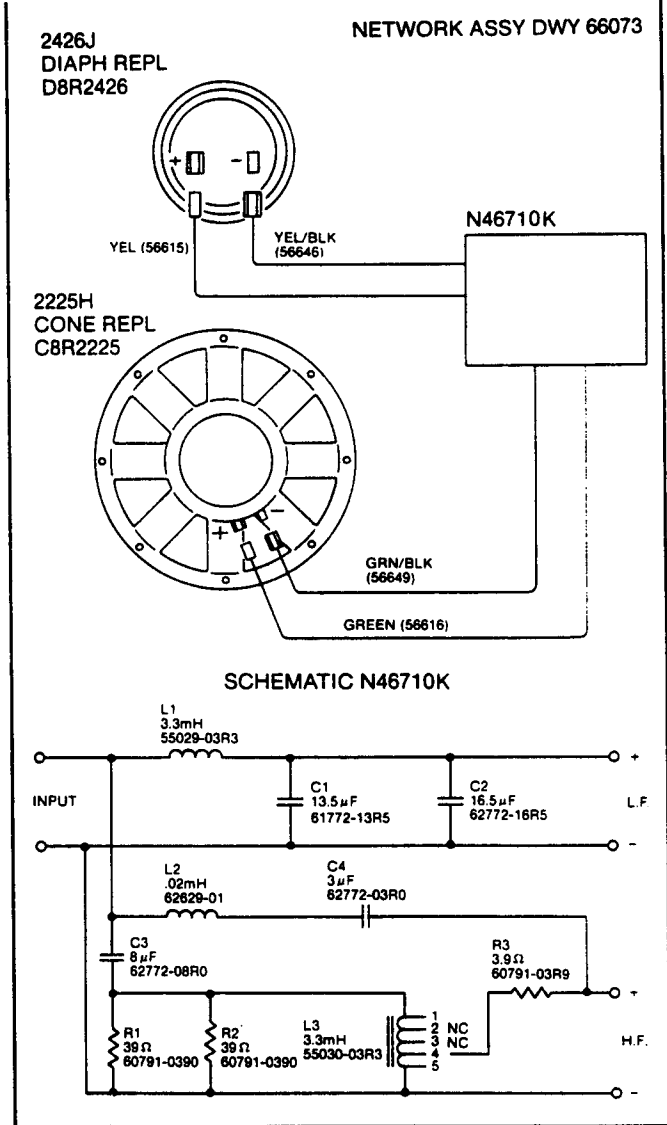
- Refer to the Warranty Statement packed with each product.

*1 Watt (2.83 V RMS) @ 1 Meter

PACKAGE



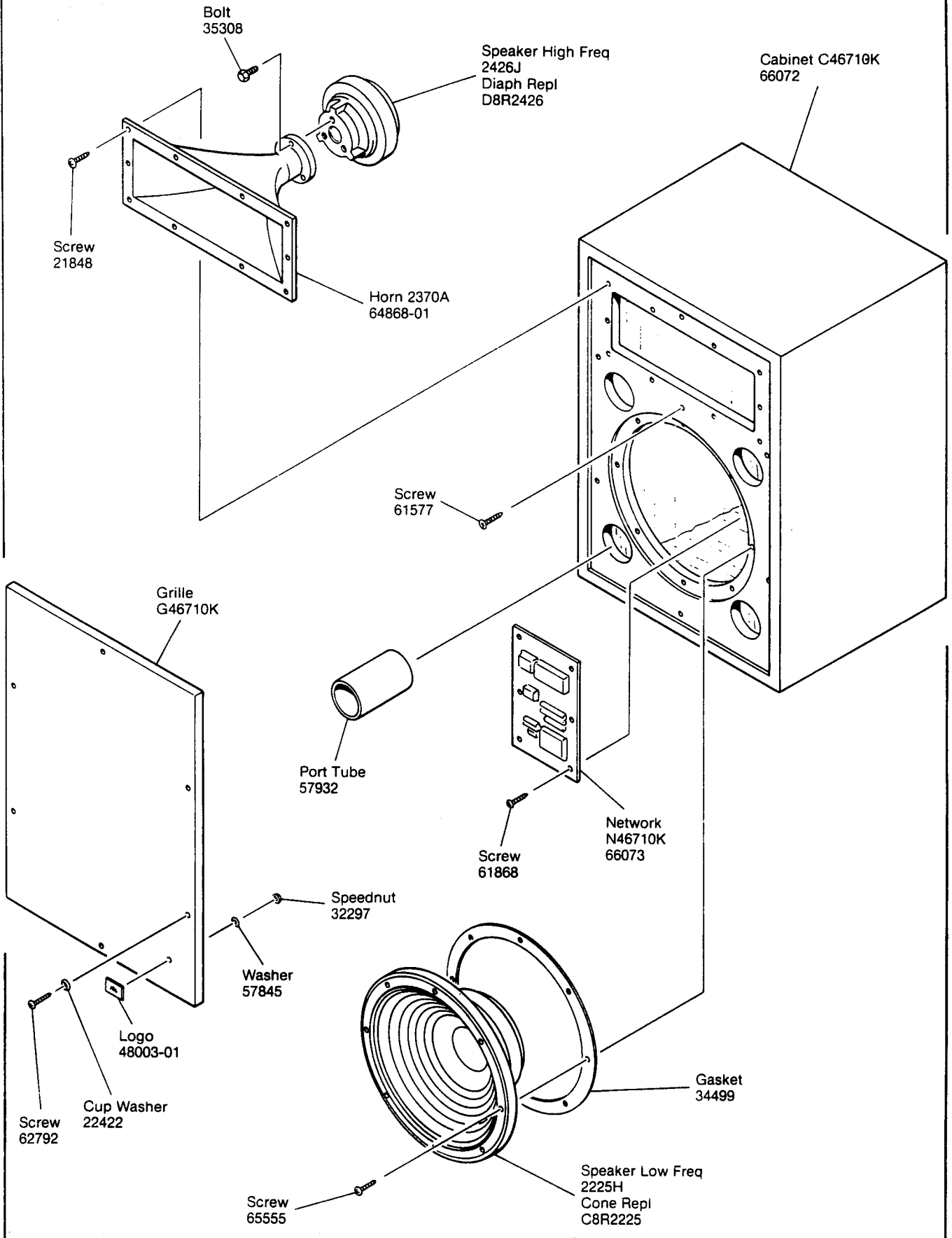
WIRING DIAGRAM



JBL46710K REV A

JBL46710K

COMPONENT EXPLODED VIEW



JBL46710K