

# Technical Manual



# JBL4672

## SPECIFICATIONS

### ACOUSTIC & ELECTRICAL SPECIFICATIONS:

- Nominal Impedance: 8 ohm
- Power Rating: Continuous Program: 300W
- Frequency Response: 45 Hz to 15 kHz
- Sensitivity: 101 dB SPL\*
- Crossover Frequencies: 800 Hz

### SYSTEM COMPONENTS:

- Cabinet: C4560BKA
- Grille: N/A
- Low Frequency Transducer: 380mm (15 in.) Cone Transducer (2225H)

\*1 Watt (2.83 V RMS) @ 1 Meter

### SYSTEM COMPONENTS: (cont'd)

- High Frequency Transducer: 25mm (1 in.) Aluminum Diaphragm Compression Driver (2410)
- Crossover Network: 3110, 2 Way System

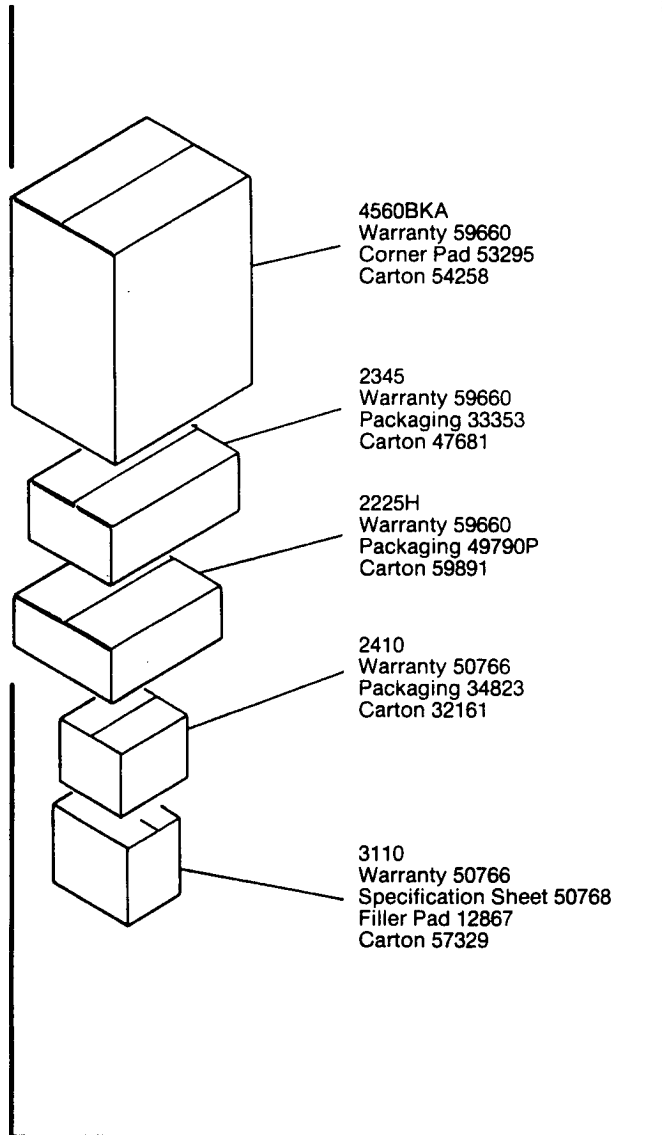
### PHYSICAL SPECIFICATIONS:

- Enclosure Dimensions: 914mm x 762mm x 606mm D (36.0 x 30.0 x 23.87 in. D)
- Shipping Weight: 143-1/2 lbs.

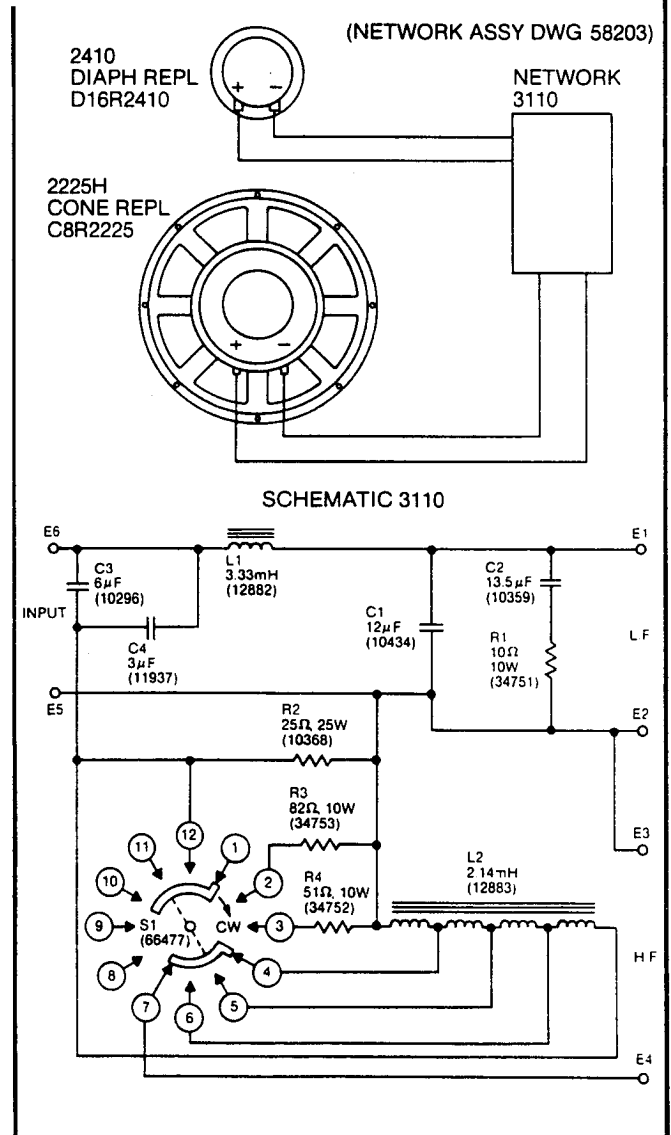
### WARRANTY INFORMATION:

- Refer to the Warranty Statement packed with each product.

## PACKAGE

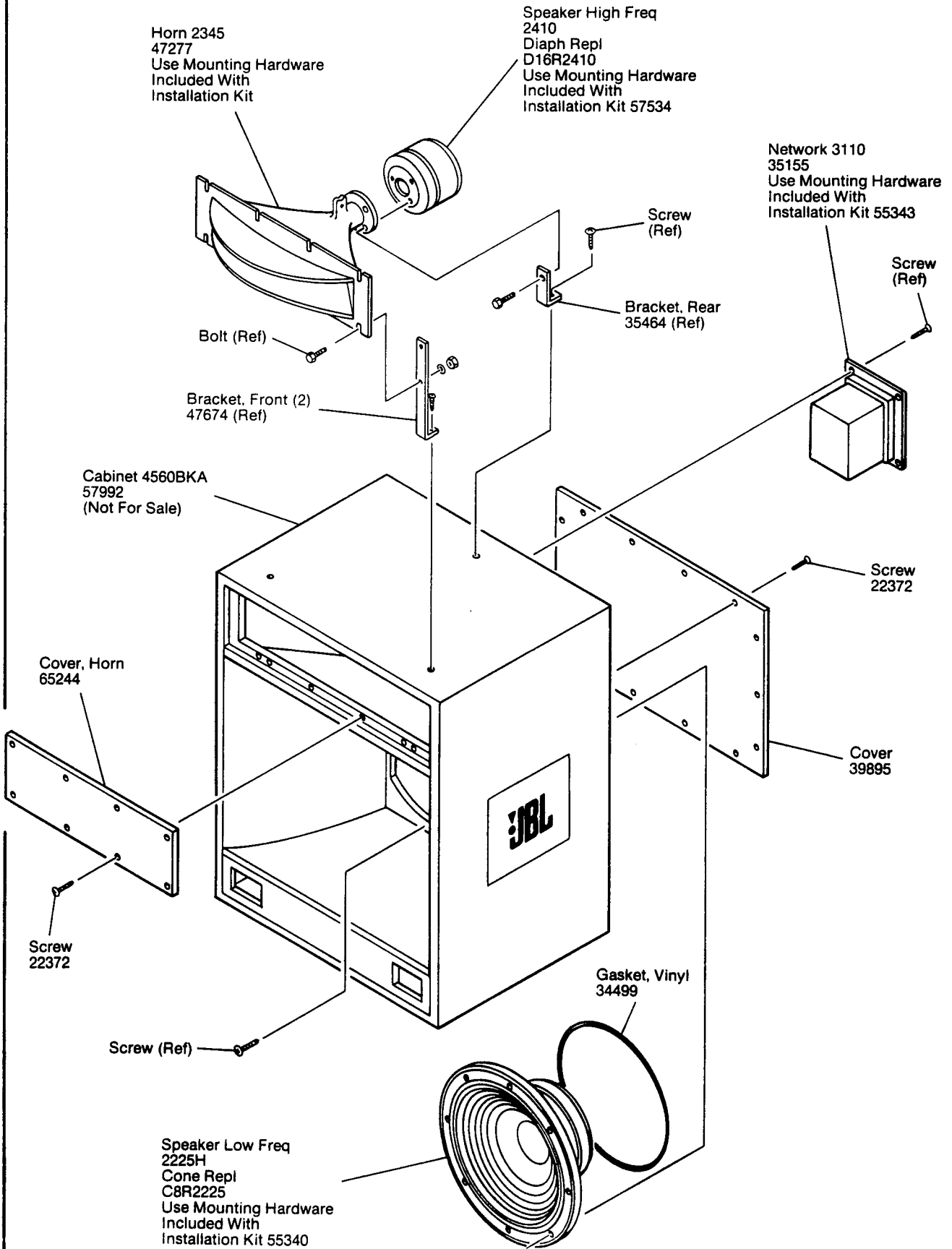


## WIRING DIAGRAM



# JBL4672

## COMPONENT EXPLODED VIEW



JBL4672