

# Technical Manual



# JBL4674

## SPECIFICATIONS

### ACOUSTIC & ELECTRICAL SPECIFICATIONS:

- Nominal Impedance: 8 ohm
- Power Rating: Continuous Program: 300W
- Frequency Response: 45 Hz to 15 kHz
- Sensitivity: 101 dB SPL\*
- Crossover Frequencies: 500 Hz

### SYSTEM COMPONENTS:

- Cabinet: C4560BKA
- Grille: N/A
- Low Frequency Transducer: 380mm (15 in.) Cone Transducer (2225H)

### SYSTEM COMPONENTS: (cont'd)

- High Frequency Transducer: 100mm (4 in.) Aluminum Diaphragm Compression Driver (2441)
- Crossover Network: 3115, 2 Way System

### PHYSICAL SPECIFICATIONS:

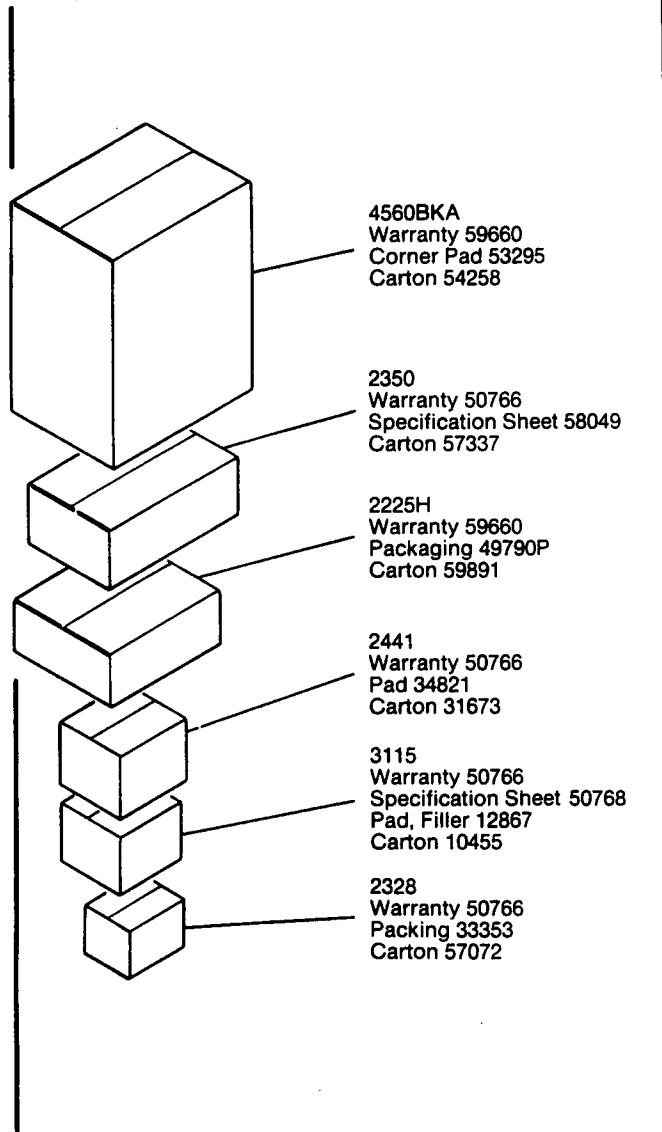
- Enclosure Dimensions: 1174mm x 803mm x 742mm D (44.0 x 31.62 x 29.25 in. D)
- Shipping Weight: 173 lbs.

### WARRANTY INFORMATION:

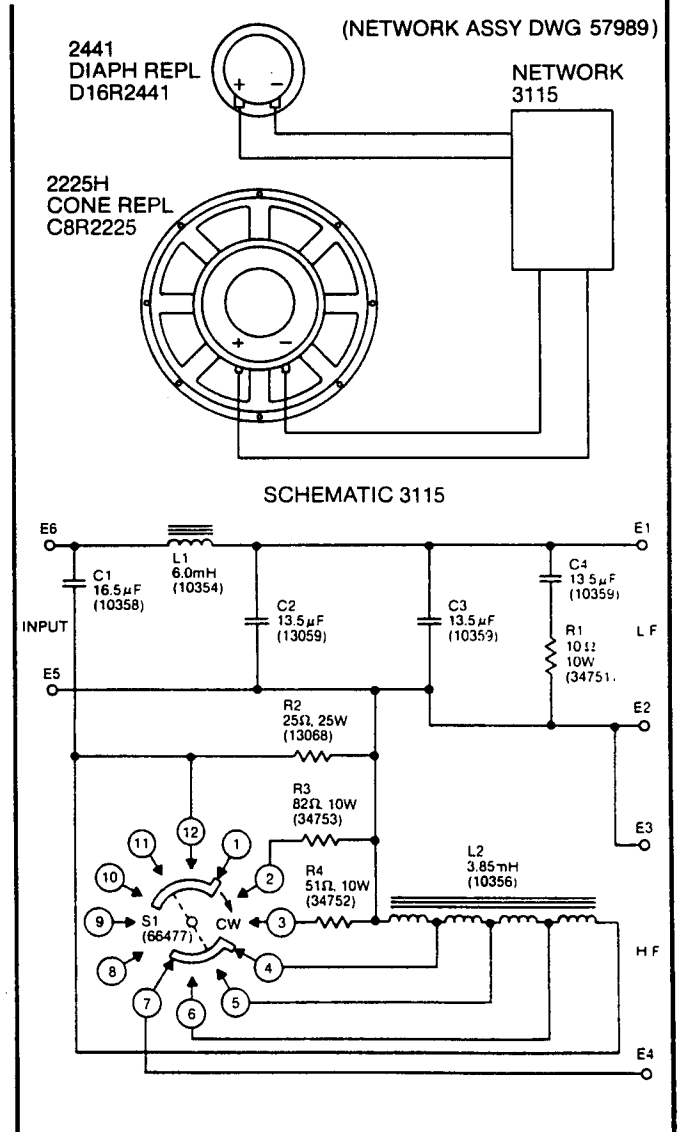
- Refer to the Warranty Statement packed with each product.

\*1 Watt (2.83 V RMS) @ 1 Meter

## PACKAGE

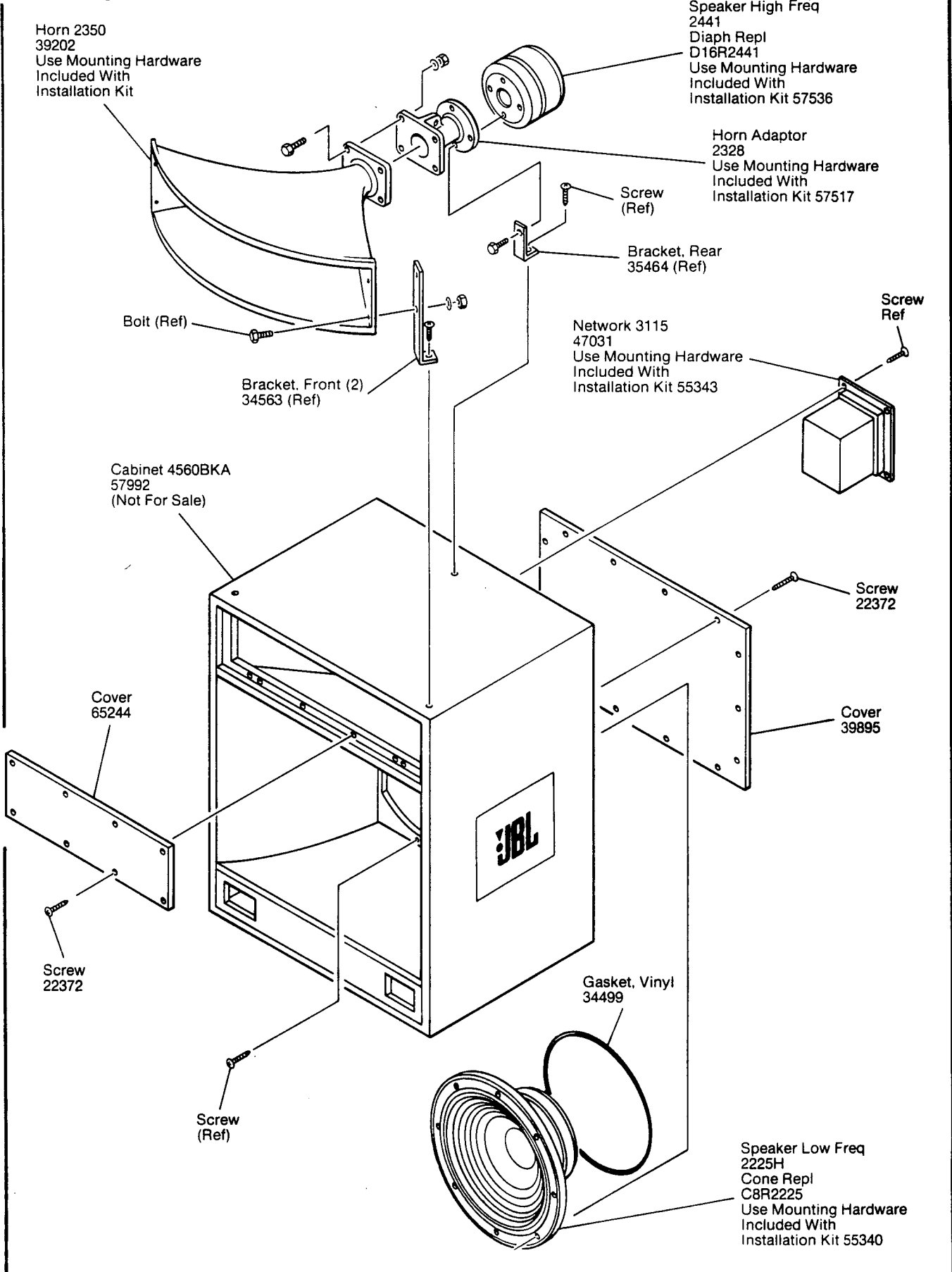


## WIRING DIAGRAM



# JBL4674

## COMPONENT EXPLODED VIEW



JBL4674