

Technical Manual



JBL4675B-HF

SPECIFICATIONS

ACOUSTIC & ELECTRICAL SPECIFICATIONS:

- Nominal Impedance: 8 ohm
- Power Capacity: 100W Continuous Program above 500Hz
150W Continuous Program above 1 kHz
- Frequency Range: 500 Hz to 20 kHz
- Sensitivity: 111 dB SPL*
- Crossover Frequencies: N/A

SYSTEM COMPONENTS:

- Cabinet: N/A
- Grille: N/A
- Mounting Bracket: JBL 2506A

*1 Watt (2.83 V RMS) @ 1 Meter

SYSTEM COMPONENTS: (cont'd)

- High Frequency Transducer: 100mm (4 in.) Pure Titanium Diaphragm (2445H)
- DC Resistance: 4.0 ohm \pm 8% Aluminum Wire
- Crossover Network: N/A

AURAL SWEEP TEST SPECIFICATIONS:

A. H.F. Aural Sweep Test: 3.5V Input, 550 Hz to 1.2 kHz

PHYSICAL SPECIFICATIONS:

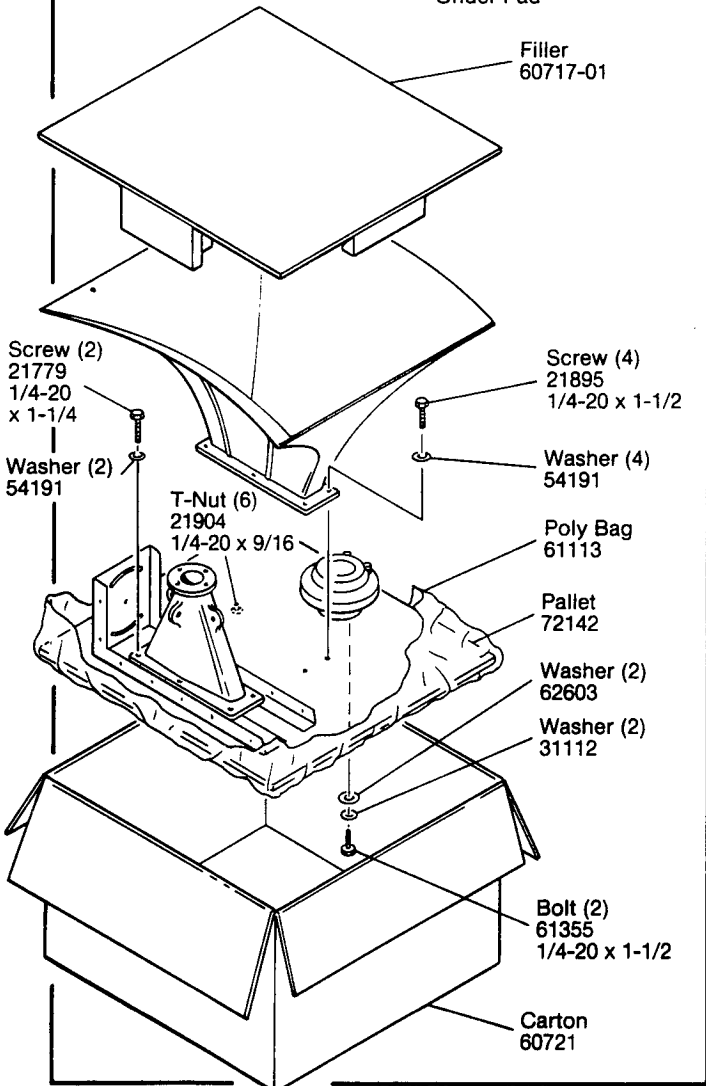
- Enclosure Dimensions: 879mm x 568mm x 876mm D (34.62 x 22.38 x 34.5 in. D)
- Shipping Weight: 106 lbs. (48 kg)

WARRANTY INFORMATION:

- Refer to the Warranty Statement packed with each product.

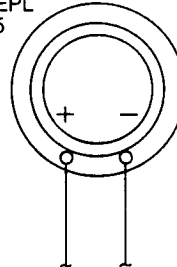
PACKAGE

Warranty 59660
Specification Sheet 72139
Under Pad



WIRING DIAGRAM

2445H
DIAPH REPL
D16R2445



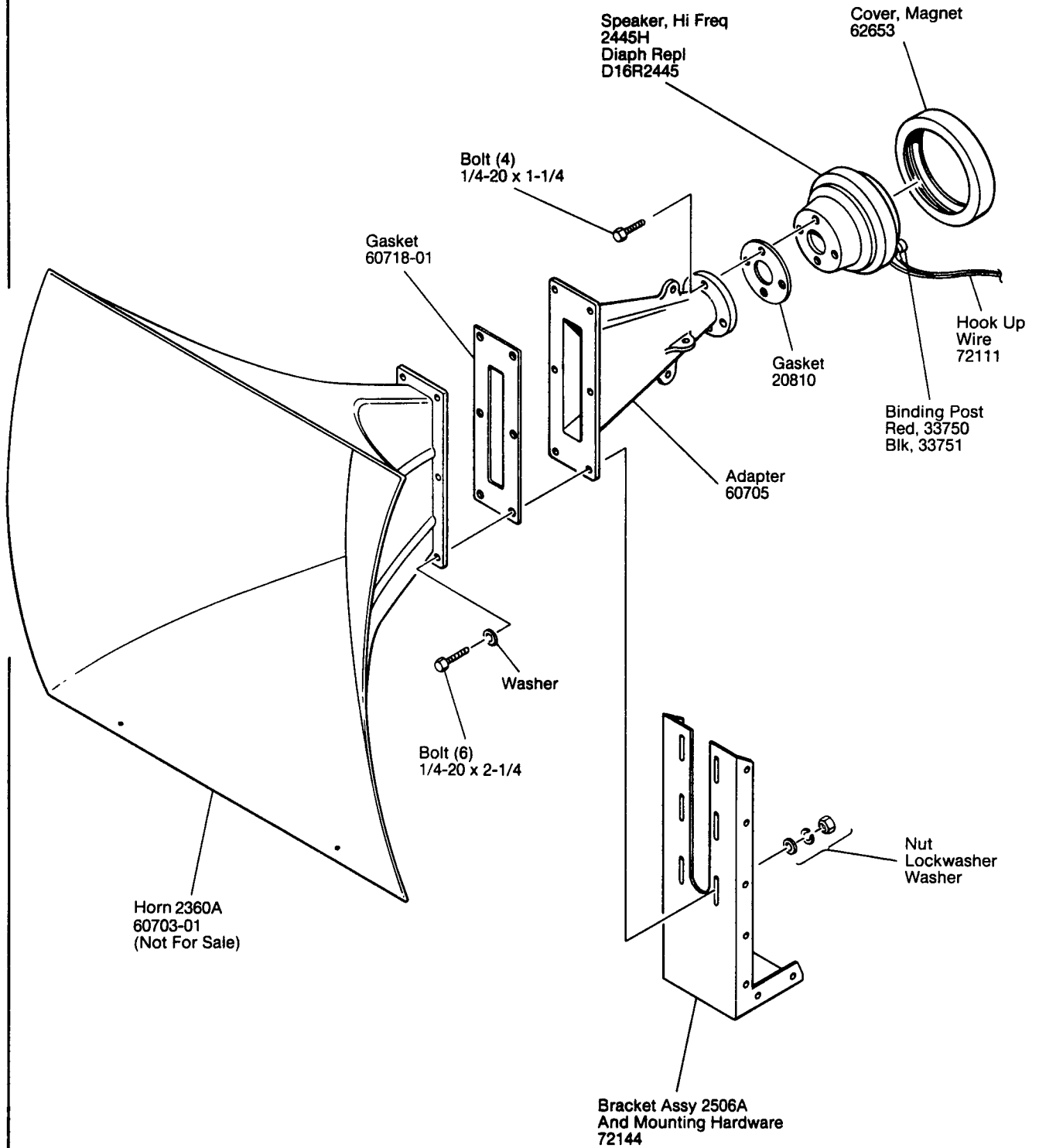
SCHEMATIC

N/A

JBL4675B-HF REV B

JBL4675B-HF

COMPONENT EXPLODED VIEW



JBL4675B-HF