

# Technical Manual

# JBL4676B-2



## SPECIFICATIONS

### ACOUSTIC & ELECTRICAL SPECIFICATIONS:

- Nominal Impedance: 8 ohm
- Power Rating: Continuous Pink Noise: 300W  
Continuous Program: 600W
- Frequency Response: 40 Hz to 20 kHz
- Sensitivity: 109 dB SPL\*
- Crossover Frequencies: 500 Hz

### SYSTEM COMPONENTS:

- Cabinet: C4550BKA
- Grille: N/A
- Low Frequency Transducer: 380mm (15 in.) Cone Transducer (2), 2225J

\*1 Watt (2.83 V RMS) @ 1 Meter

### SYSTEM COMPONENTS: (cont'd)

- High Frequency Transducer: 100mm (4 in.) Pure Titanium Diaphragm, 2445J
- Crossover Network: 3160

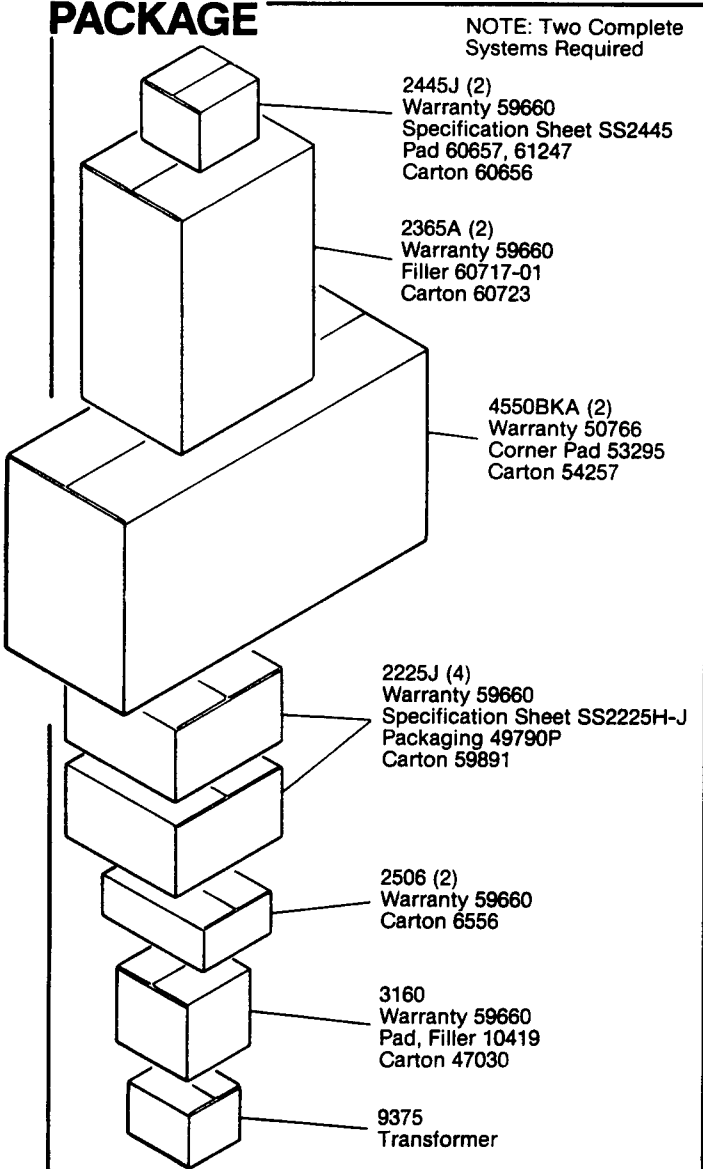
### PHYSICAL SPECIFICATIONS:

- Enclosure Dimensions: 2600mm x 1524mm x 949mm D (102.37 x 60.0 x 37.37 in. D)
- Shipping Weight: 610 lbs.

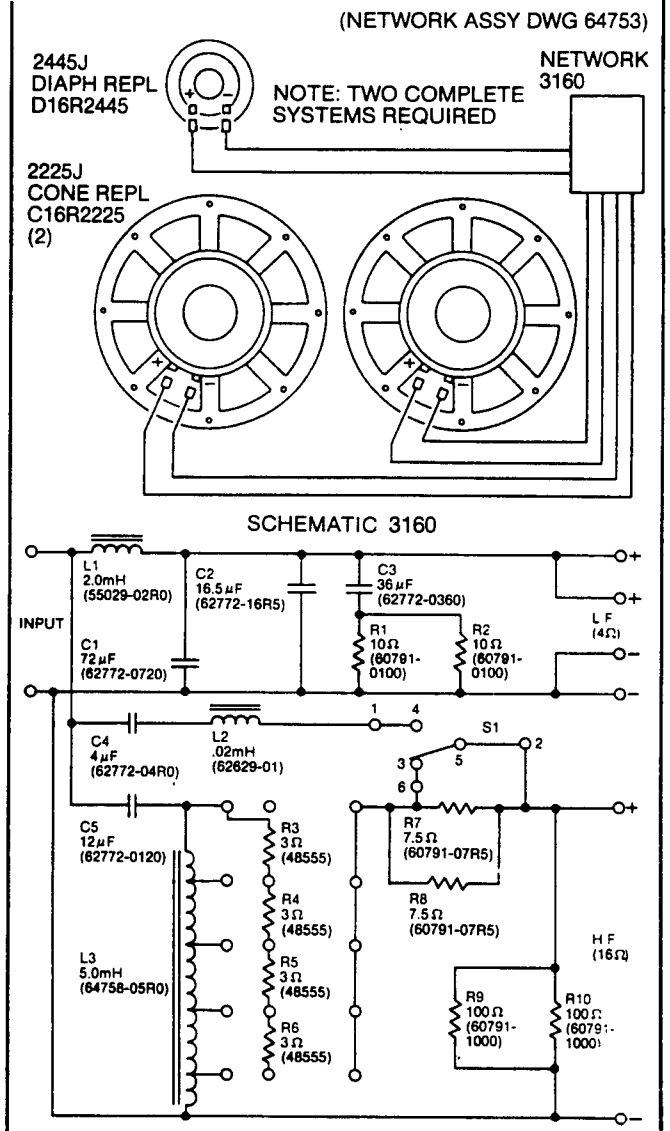
### WARRANTY INFORMATION:

- Refer to the Warranty Statement packed with each product.
- NOTE: Two complete systems required.

## PACKAGE

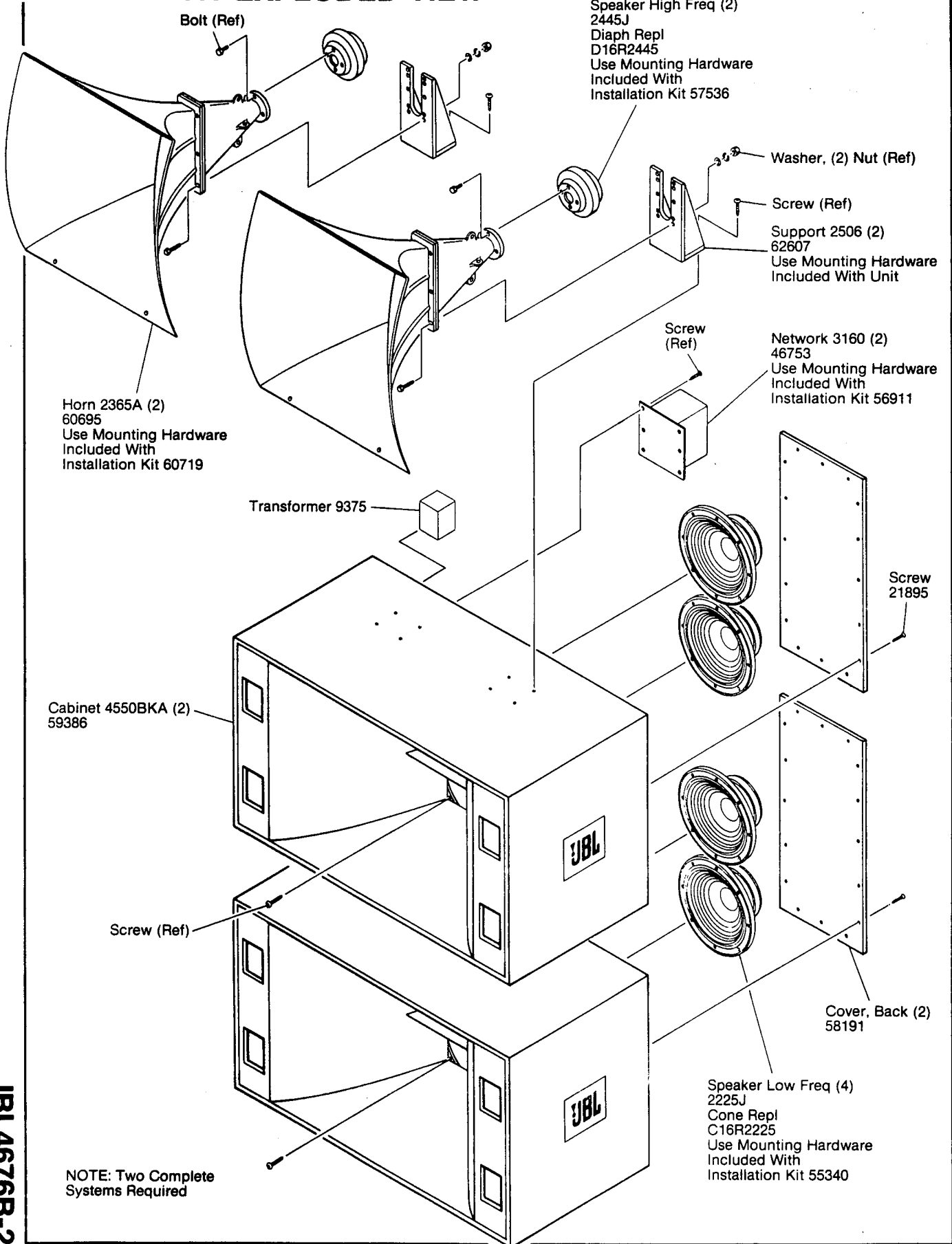


## WIRING DIAGRAM



# JBL4676B-2

## COMPONENT EXPLODED VIEW



Bolt (Ref)

Speaker High Freq (2)  
2445J  
Diaph Repl  
D16R2445  
Use Mounting Hardware  
Included With  
Installation Kit 57536

Washer, (2) Nut (Ref)

Screw (Ref)

Support 2506 (2)  
62607  
Use Mounting Hardware  
Included With Unit

Horn 2365A (2)  
60695  
Use Mounting Hardware  
Included With  
Installation Kit 60719

Screw  
(Ref)

Network 3160 (2)  
46753  
Use Mounting Hardware  
Included With  
Installation Kit 56911

Transformer 9375

Screw  
21895

Cabinet 4550BKA (2)  
59386

Screw (Ref)

Cover, Back (2)  
58191

Speaker Low Freq (4)  
2225J  
Cone Repl  
C16R2225  
Use Mounting Hardware  
Included With  
Installation Kit 55340

NOTE: Two Complete  
Systems Required

JBL4676B-2