

# Technical Manual



# JBL 4680B

## SPECIFICATIONS

### ACOUSTIC & ELECTRICAL SPECIFICATIONS:

- Nominal Impedance: 8 ohm
- Power Rating: 300W  
Continuous Program: 600W
- Frequency Response: 55 Hz to 15 kHz
- Sensitivity: 105 dB SPL\*
- Crossover Frequencies: 3.0 kHz

### SYSTEM COMPONENTS:

- Cabinet: C4780B
- Grille: 59447
- Low Frequency Transducer: 250mm (10 in.) Cone Transducer (E110-8) (4)

\*1 Watt (2.83 V RMS) @ 1 Meter

### SYSTEM COMPONENTS: (cont'd)

- High Frequency Transducer: 44mm (1-3/4 in.) Aluminum Diaphragm (2402H) (2)
- Crossover Network: 3102, High Pass Network

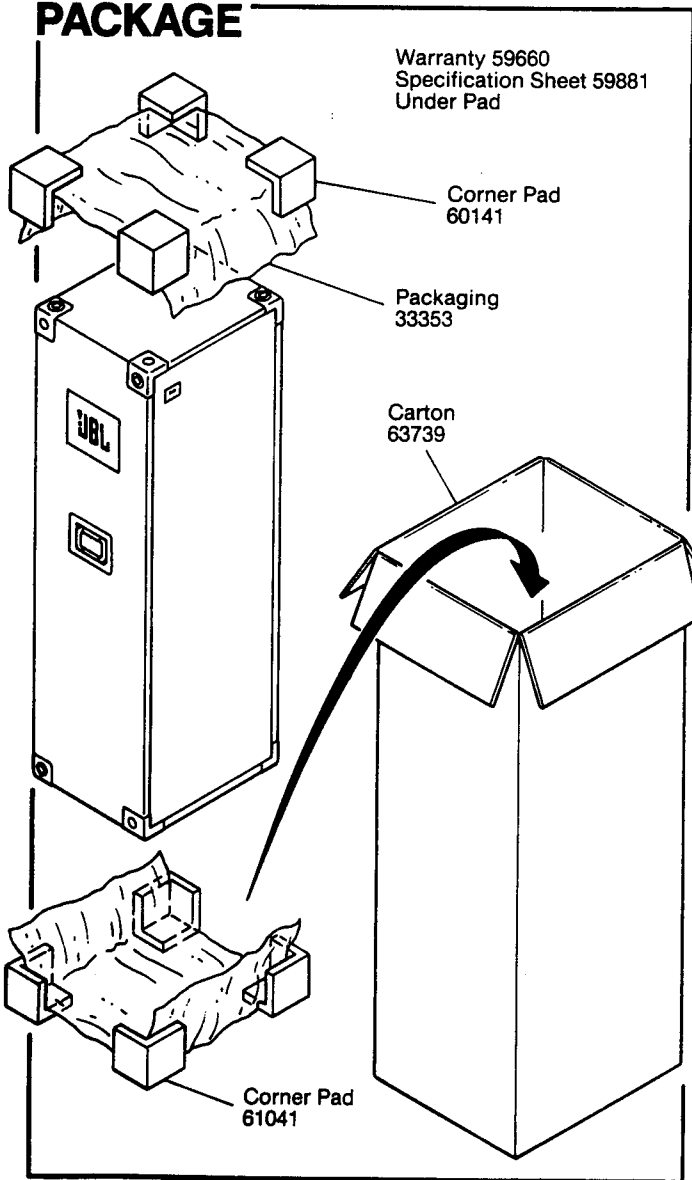
### PHYSICAL SPECIFICATIONS:

- Enclosure Dimensions: 1322mm x 402mm x 372mm D (52.31 x 16.81 x 14.62 in. D)
- Shipping Weight: 137 lbs. (62.1 kg)

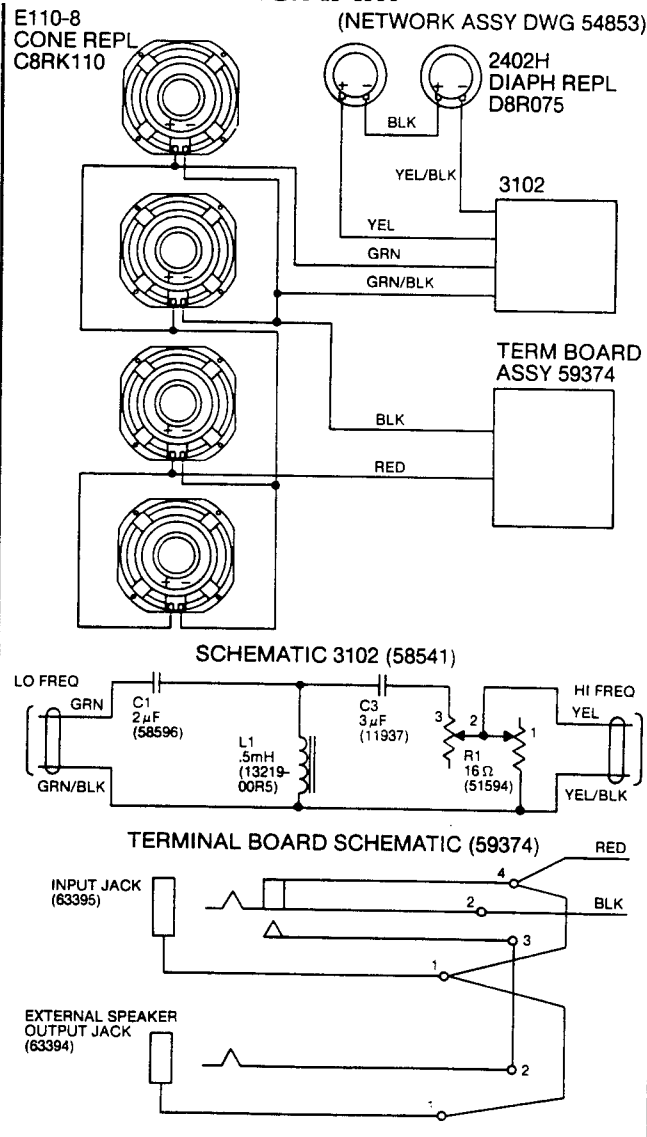
### WARRANTY INFORMATION:

- Refer to the Warranty Statement packed with each product.

## PACKAGE

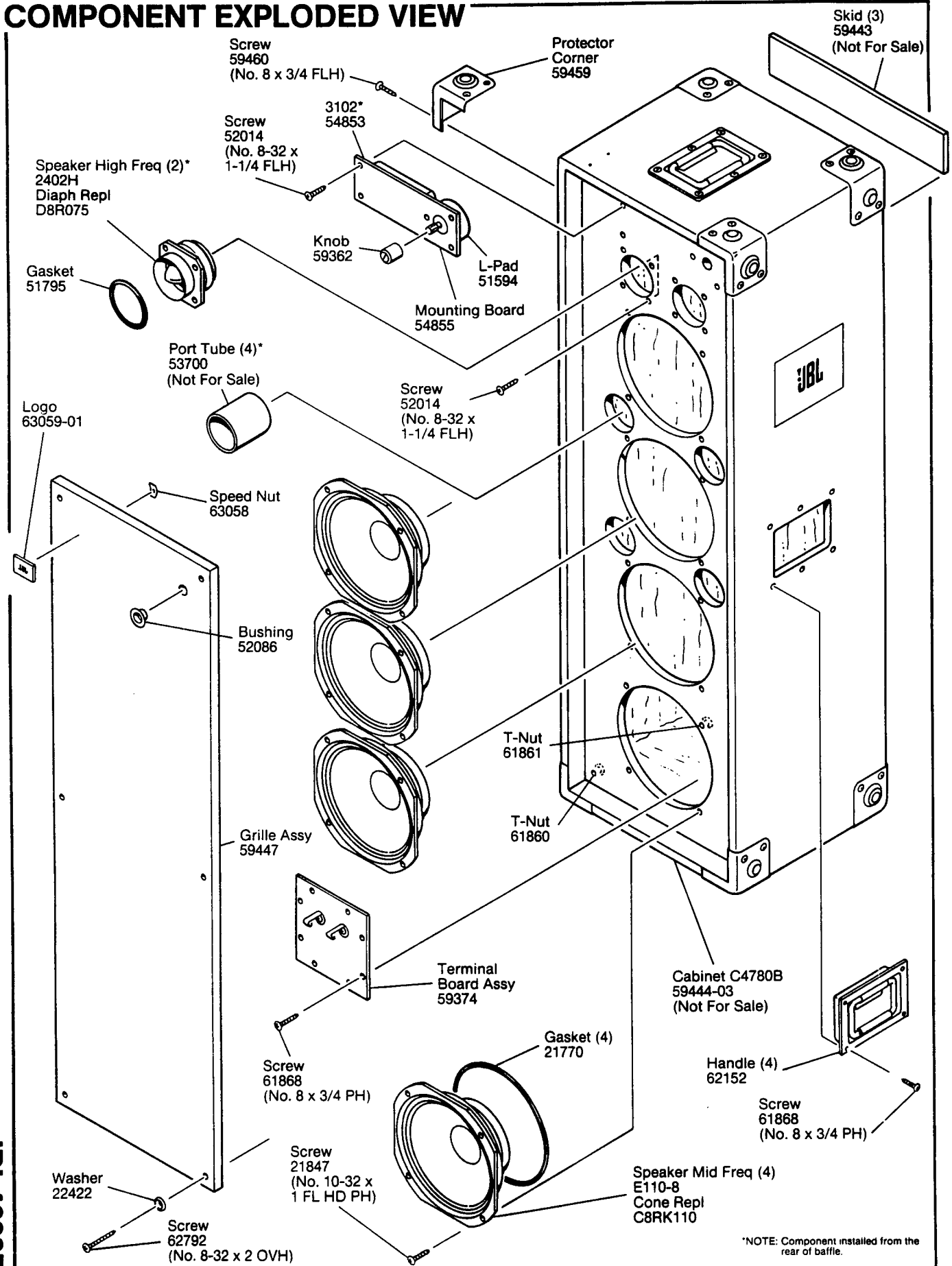


## WIRING DIAGRAM



# JBL4680B

## COMPONENT EXPLODED VIEW



\*NOTE: Component installed from the rear of baffle.

JBL4680B