

Technical Manual



JBL4681

SPECIFICATIONS

ACOUSTIC & ELECTRICAL SPECIFICATIONS:

- Nominal Impedance: 8 ohm
- Power Rating: 300W RMS
Continuous Program: 600W
- Frequency Response: 55 Hz to 8.0 kHz
- Sensitivity: 105 dB SPL*
- Crossover Frequencies: N/A

SYSTEM COMPONENTS:

- Cabinet: C4781
- Grille: 51849

*1 Watt (2.83 V RMS) @ 1 Meter

SYSTEM COMPONENTS: (cont'd)

- Low Frequency Transducer: 250mm (10 in.) Cone Transducer (K110-8) (4)
- Crossover Network: N/A

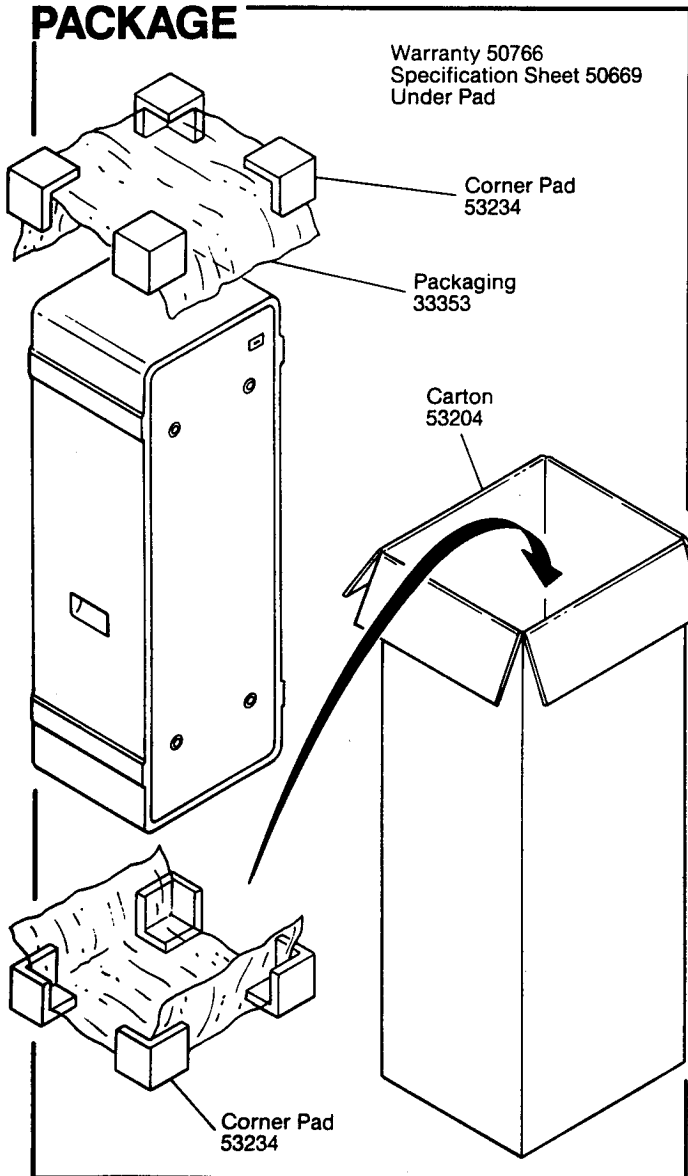
PHYSICAL SPECIFICATIONS:

- Enclosure Dimensions: 1320mm x 438mm x 343mm D
(52.0 x 17.25 x 13.5 in. D)
- Shipping Weight: 85 lbs. (39 kg)

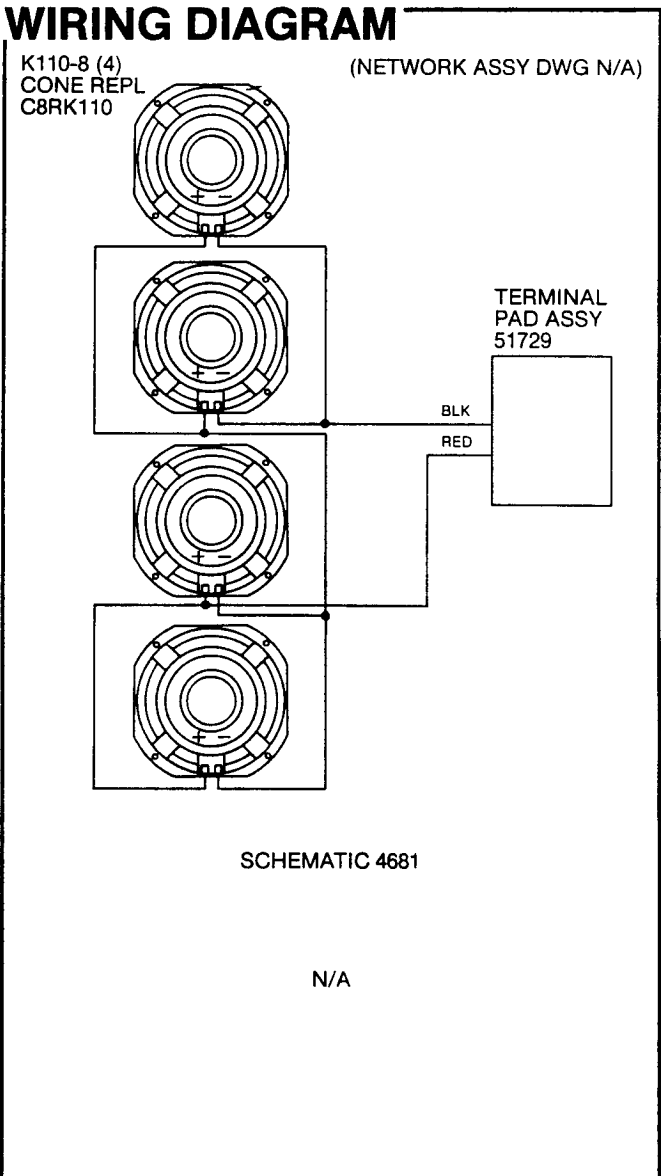
WARRANTY INFORMATION:

- Refer to the Warranty Statement packed with each product.

PACKAGE



WIRING DIAGRAM



JBL4681

COMPONENT EXPLODED VIEW

