

Technical Manual



JBL4748 460 MM (18") DIRECT RADIATOR SUB-BASS SYSTEM

SPECIFICATIONS

ACOUSTIC & ELECTRICAL SPECIFICATIONS:

- Nominal Impedance: 8 ohm
- Power Rating: Continuous Program: 600W
- Frequency Response: 35 Hz to 800 Hz (± 3 dB)
- Sensitivity: 98 dB SPL*
- Crossover Frequencies: 80 Hz to 150 Hz, 30 Hz Low Cut

SYSTEM COMPONENTS:

- Cabinet: C4748
- Grille: G4748

*1 Watt (2.83 V RMS) @ 1 Meter

SYSTEM COMPONENTS: (cont'd)

- Low Frequency Transducer: 460mm (18 in.) Cone Transducer (2240H)
- Crossover Network: JBL/UREI 5235 Active Crossover

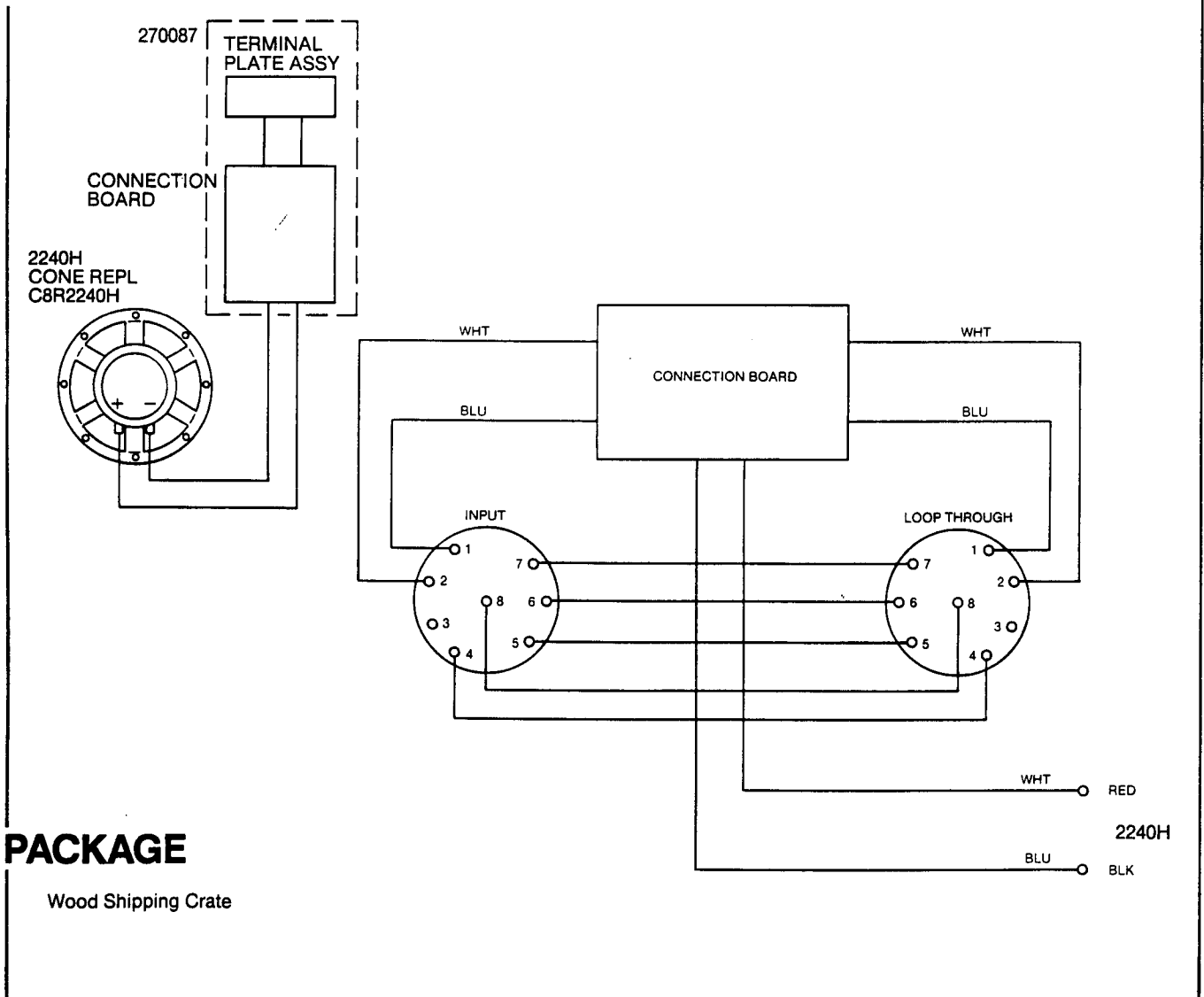
PHYSICAL SPECIFICATIONS:

- Enclosure Dimensions: 800mm x 850mm x 530mm D (31.5 x 33.5 x 20.87 in. D)
- Shipping Weight: 117 lbs. (53 kg)

WARRANTY INFORMATION:

- Refer to the Warranty Statement packed with each product.

WIRING DIAGRAM



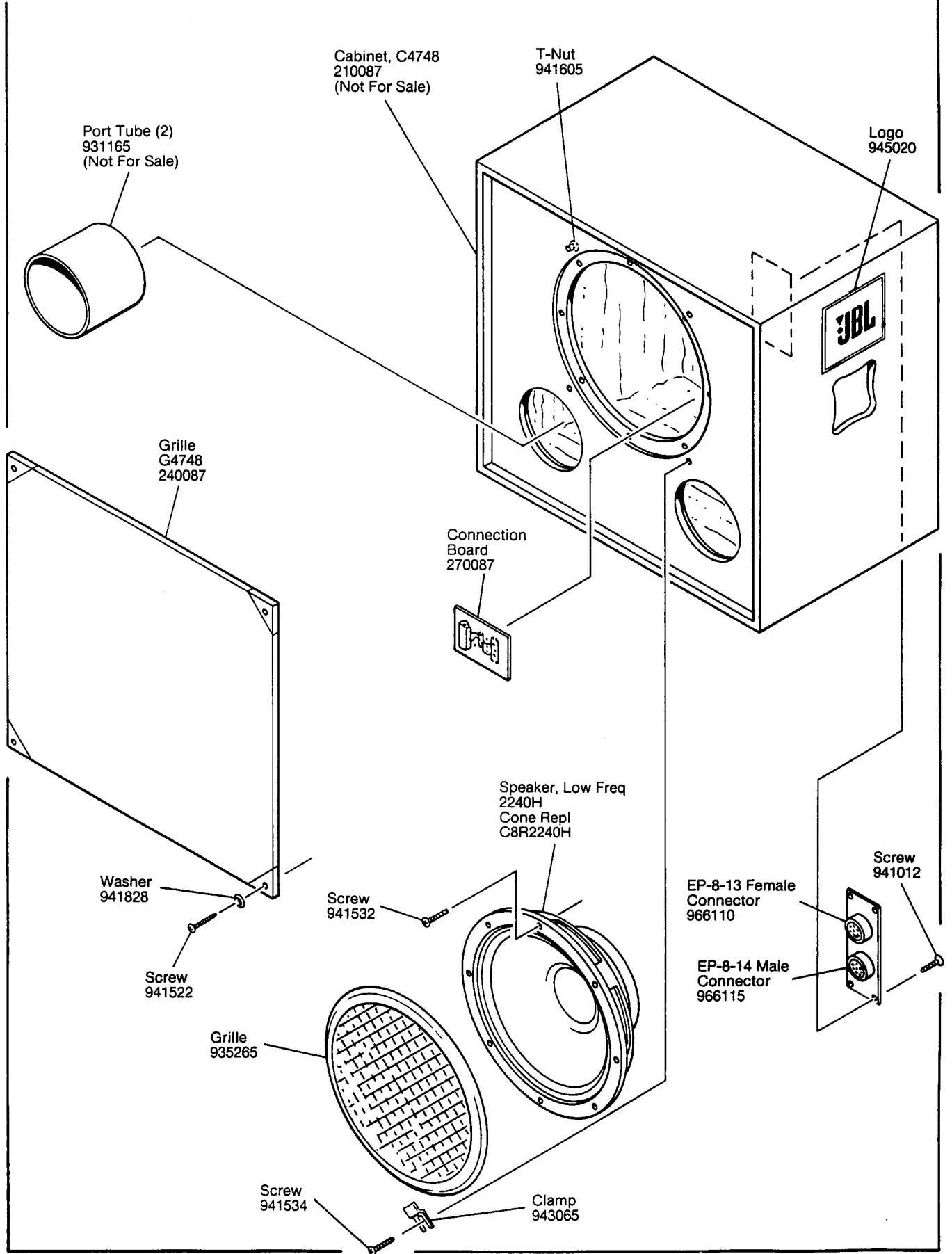
PACKAGE

Wood Shipping Crate

JBL4748 REV A

JBL4748

COMPONENT EXPLODED VIEW



JBL4748