

Technical Manual



JBL4755 HIGH POWER TWO-WAY FULL-RANGE SYSTEM

SPECIFICATIONS

ACOUSTIC & ELECTRICAL SPECIFICATIONS:

- Nominal Impedance: 4 ohm L.F., 16 ohm H.F.
- Power Rating: Continuous Program: 600W L.F.
Continuous Program: 150W H.F.
- Frequency Response: 55 Hz to 17 kHz (± 3 dB)
- Sensitivity: 98 dB L.F., 112 dB H.F. SPL*
- Crossover Frequencies: 800 Hz, 7 kHz, 40 Hz Low Cut

SYSTEM COMPONENTS: (cont'd)

- High Frequency Transducer: 100mm (4 in.) Pure Titanium Diaphragm Compression Driver (2445J)
- Crossover Network: N4755

PHYSICAL SPECIFICATIONS:

- Enclosure Dimensions: 680mm x 850mm x 530mm D (26.75 x 33.5 x 20.87 in. D)
- Shipping Weight: 132 lbs. (60 kg)

SYSTEM COMPONENTS:

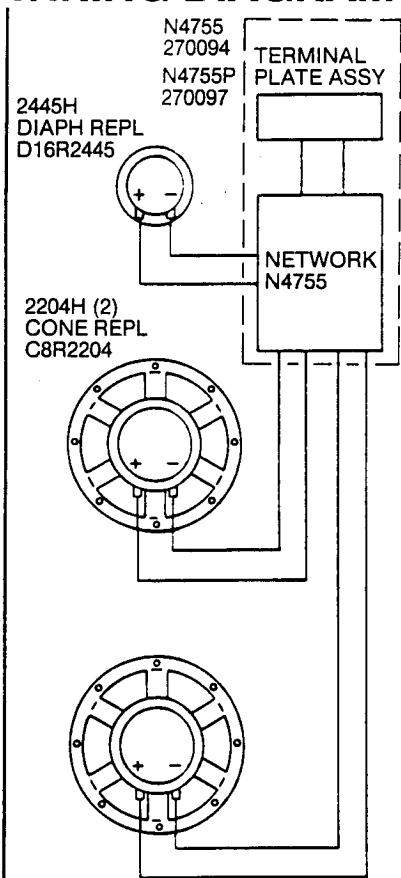
- Cabinet: C4755
- Grille: G4755
- Low Frequency Transducer: 300mm (12 in.) Cone Transducer (2204H) (2)

WARRANTY INFORMATION:

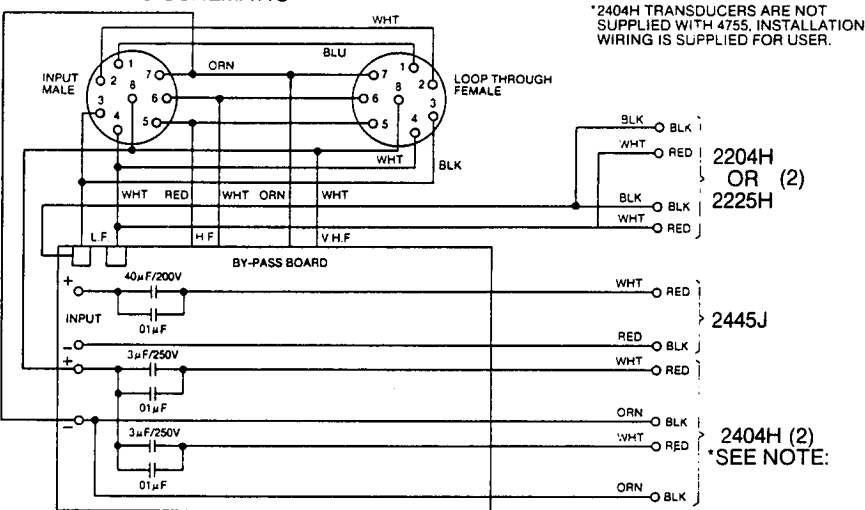
- Refer to the Warranty Statement packed with each product.

*1 Watt (2.83 V RMS) @ 1 Meter

WIRING DIAGRAM

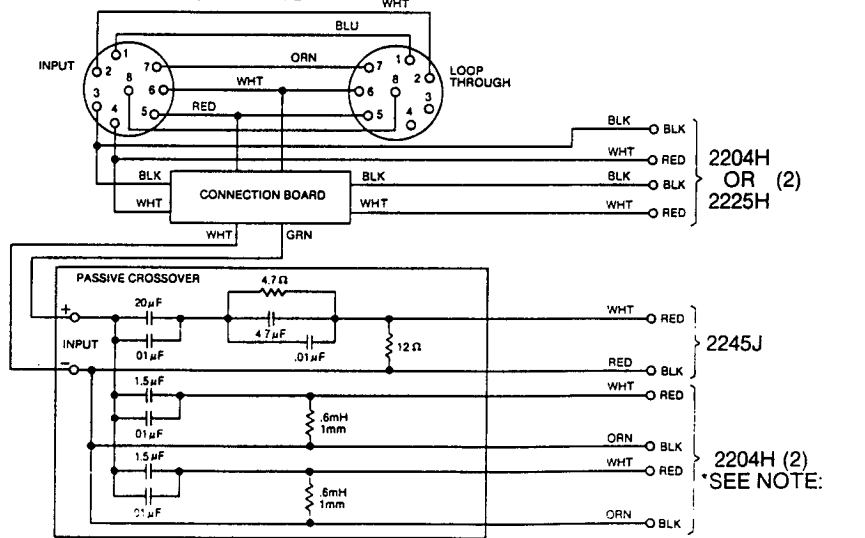


N4755 WIRING SCHEMATIC



*2404H TRANSDUCERS ARE NOT SUPPLIED WITH 4755. INSTALLATION WIRING IS SUPPLIED FOR USER.

N4755P WIRING SCHEMATIC



PACKAGE

Wood Shipping Crate

JBL4755 REV A

JBL4755

COMPONENT EXPLODED VIEW

