

Technical Manual



JBL4785A DUAL 380 MM (15") TRIPLE CHAMBER BANDPASS™ SUB-BASS SYSTEM

SPECIFICATIONS

ACOUSTIC & ELECTRICAL SPECIFICATIONS:

- Nominal Impedance: 4 ohm
- Power Rating: Continuous Program: 800W
- Frequency Response: 32 Hz to 180 Hz (± 3 dB)
- Sensitivity: 100 dB SPL*
- Crossover Frequencies: 80 Hz to 100 Hz, 30 Hz Low Cut

SYSTEM COMPONENTS: (cont'd)

- Low Frequency Transducer: 380mm (15 in.) Cone Transducer (2225H) (2)
- Crossover Network: JBL/JREI 5235 Active Crossover 53-5334 Crossover Card

SYSTEM COMPONENTS:

- Cabinet: C4785A
- Grille: N/A

PHYSICAL SPECIFICATIONS:

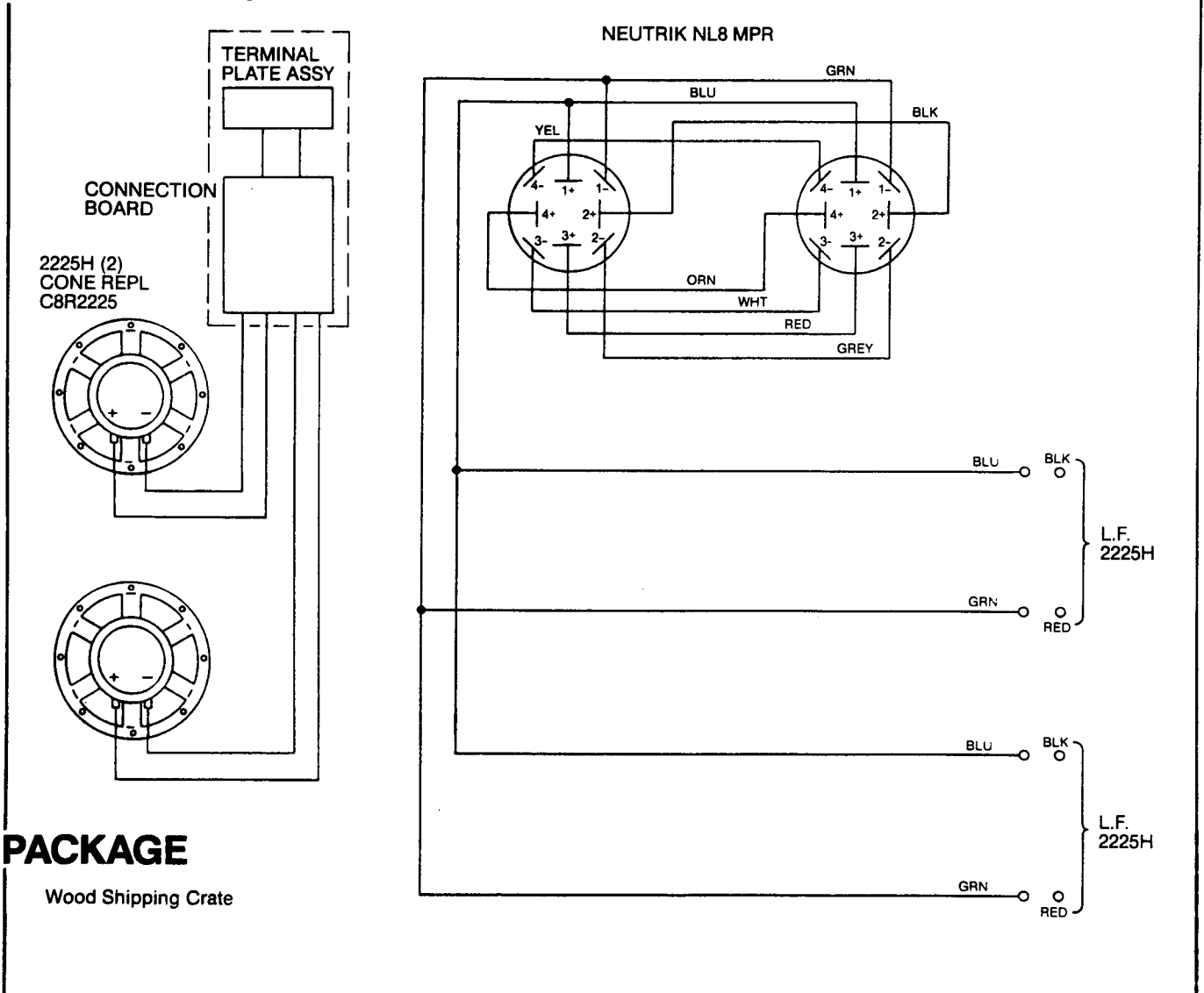
- Enclosure Dimensions: 750mm x 1240mm x 550mm D (29.57 x 47.25 x 21.62 in. D)
- Shipping Weight: 172 lbs. (76 kg)

WARRANTY INFORMATION:

- Refer to the Warranty Statement packed with each product.

*1 Watt (2.83 V RMS) @ 1 Meter

WIRING DIAGRAM



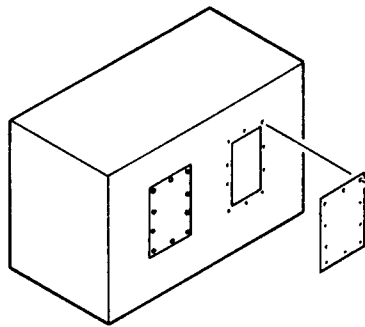
PACKAGE

Wood Shipping Crate

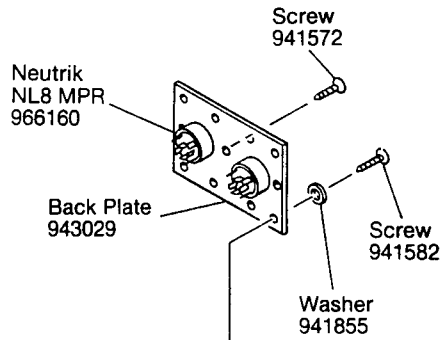
JBL4785A REV A

JBL4785A

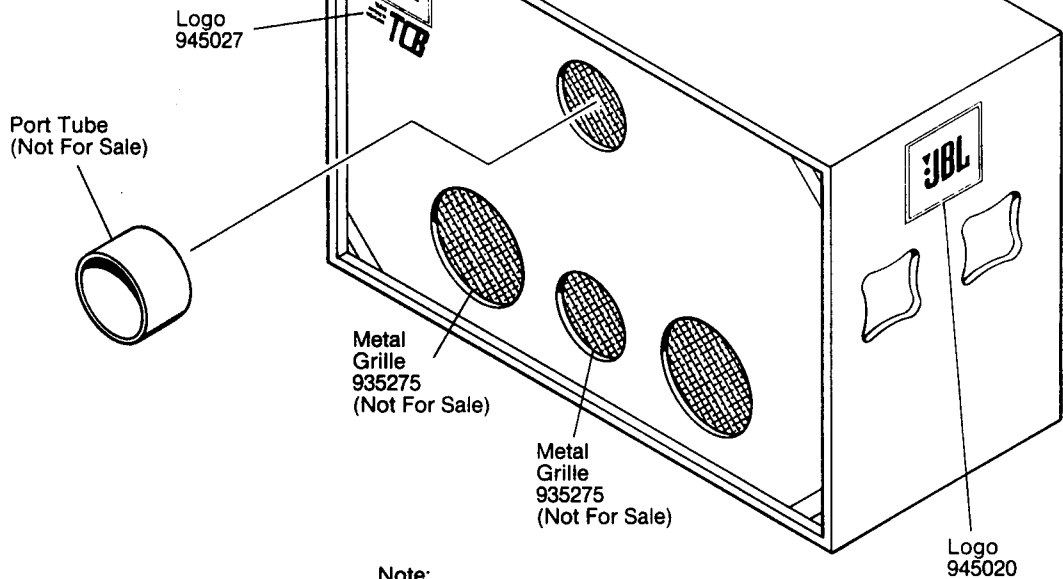
COMPONENT EXPLODED VIEW



REAR VIEW



Cabinet, C4785A (Not For Sale)



Note:
Orientation of
Speakers in Cabinet

Speaker, Low Freq (2)
2225H
Cone Repl
C8R2225

Metal Bar (4)
943012

Screw, Allen Hd
941594

Note:
Screw for
T-Nuts
941586