

JBL4800

SPECIFICATIONS

ACOUSTIC & ELECTRICAL SPECIFICATIONS:

- Nominal Impedance: 8 ohm
- Recommended Amp Power: 10W to 150W
- Frequency Response: 40 Hz to 23 kHz
- Sensitivity: 91 dB SPL*
- Crossover Frequencies: 800 Hz/4.5 kHz

SYSTEM COMPONENTS:

- Cabinet: CJBL4800
- Grille: GJBL4800
- Low Frequency Transducer: 510G 10 in. (254mm) High Polymer Laminate
- DC Resistance: 5 ohm ±10% Copper Wire
- Mid Range Transducer: 505G 5 in. (127mm) High Polymer Laminate
- DC Resistance: 4.5 ohm ±10% Copper Wire

*1 Watt @ 1 Meter

SYSTEM COMPONENTS: (cont'd)

- High Frequency Transducer: 70740 (12mm) Pure Titanium Dome Transducer
- DC Resistance: 5.8 ohm ±10% Copper Wire
- Crossover Network: NJBL4800

AURAL SWEEP TEST SPECIFICATIONS:

- A. System Aural Sweep Test: 6.0V Input, 20 Hz to 20 kHz
- B. L.F. Aural Sweep Test: 6.0V Input, 20 Hz to 5 kHz
- C. M.F. Aural Sweep Test: 4.0V Input, 200 Hz to 10 kHz
- D. H.F. Aural Sweep Test: 2.0V Input, 1 kHz to 20 kHz

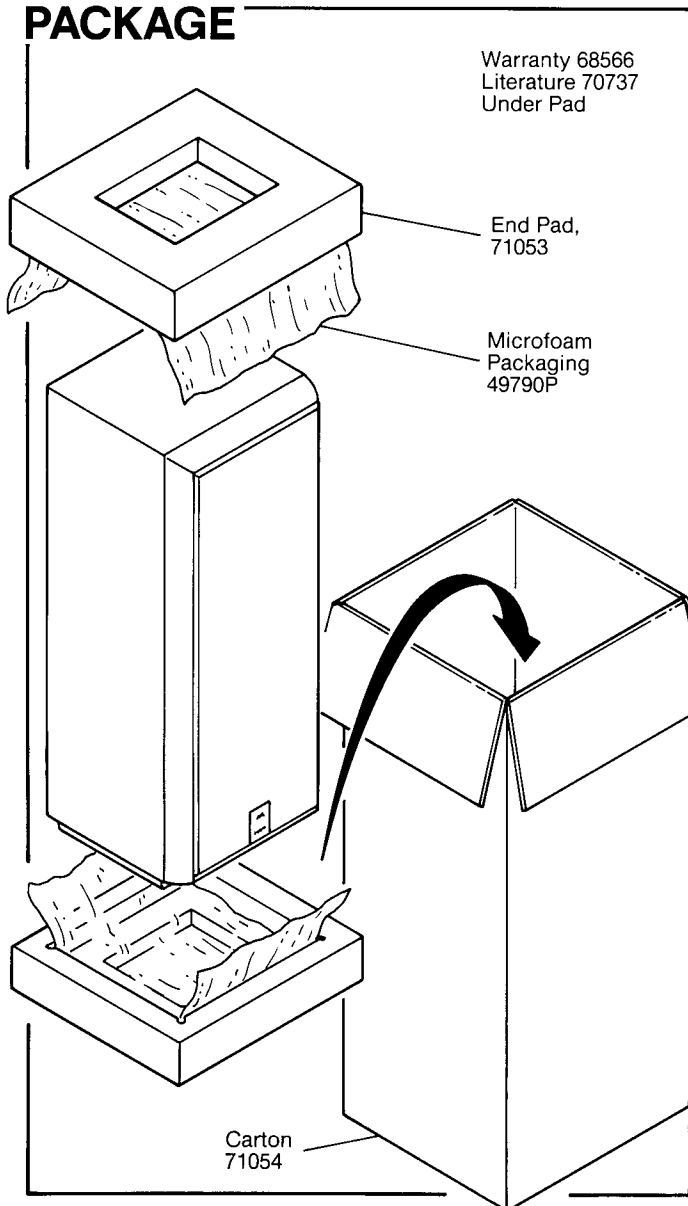
PHYSICAL SPECIFICATIONS:

- Enclosure Dimensions: 38.5 x 16.5 x 15.5 in. D (998mm x 419mm x 394mm D)
- Shipping Weight: 26.13 lbs. (11.8 kg)

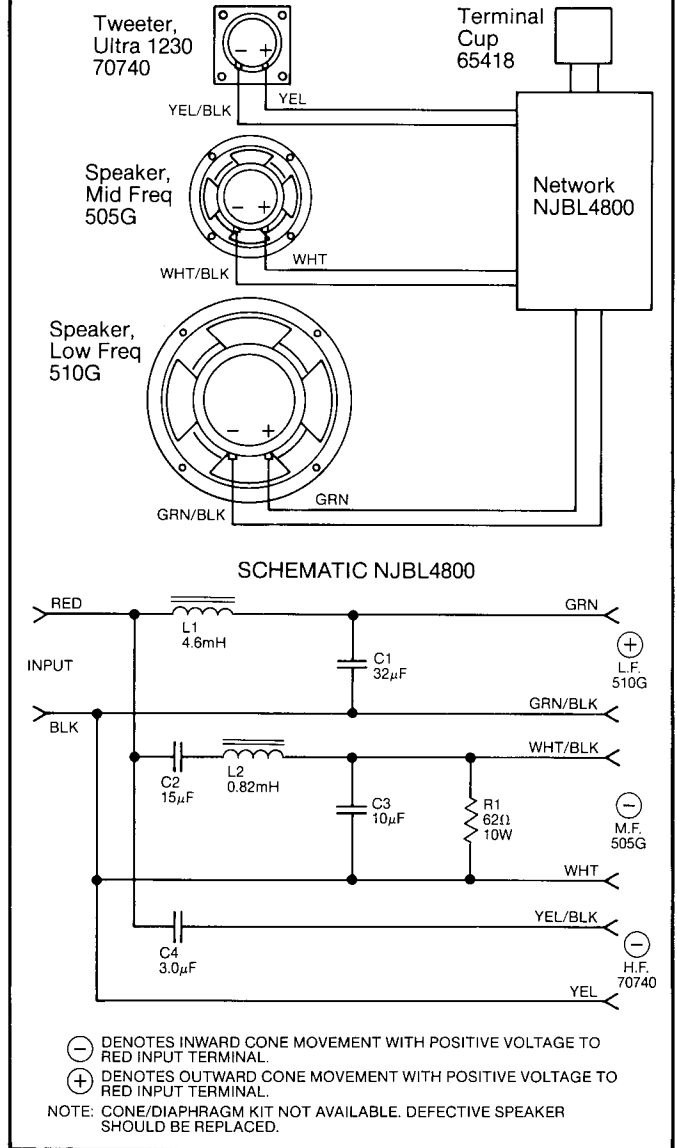
WARRANTY INFORMATION:

- Refer to the Warranty Statement packed with each product.

PACKAGE



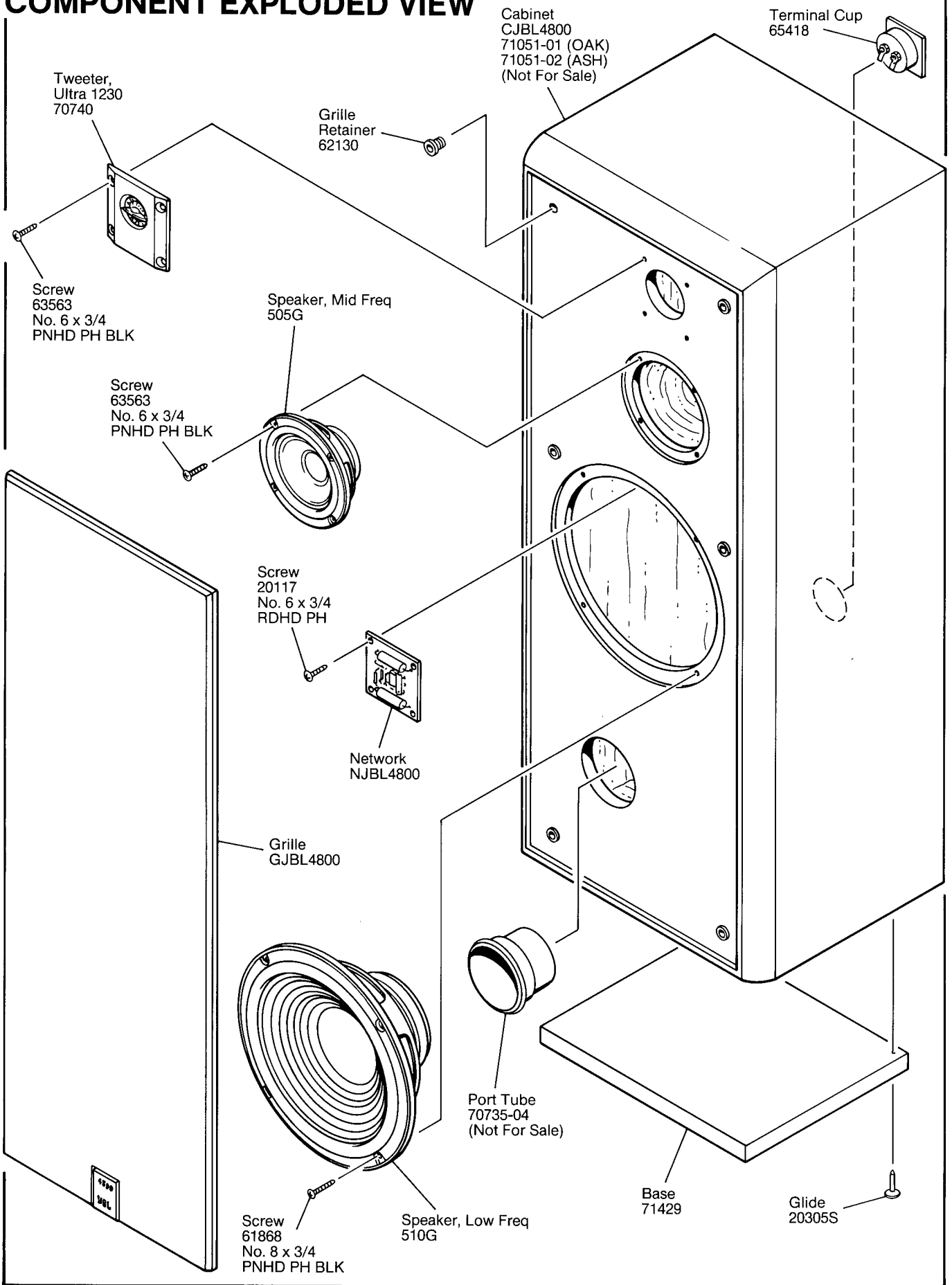
WIRING DIAGRAM



JBL4800

JBL4800

COMPONENT EXPLODED VIEW



JBL4800