



JBL62T

SPECIFICATIONS

ACOUSTIC & ELECTRICAL SPECIFICATIONS:

- Nominal Impedance: 8 ohm
- Power Rating: 10W to 100W
- Frequency Response: 75 Hz to 23 kHz
- Sensitivity: 89 dB SPL*
- Crossover Frequencies: 3 kHz

SYSTEM COMPONENTS:

- Cabinet: CJBL62T
- Grille: GJBL62T
- Low Frequency Transducer: 306G-4A (6.5 in.) 165mm High Polymer Laminate

*1 Watt (2.83 V RMS) @ 1 Meter

SYSTEM COMPONENTS: (cont'd)

- High Frequency Transducer: 022Ti (1 in.) 25mm Pure Titanium Diaphragm
- Crossover Network: NJBL62T, 2-Way System

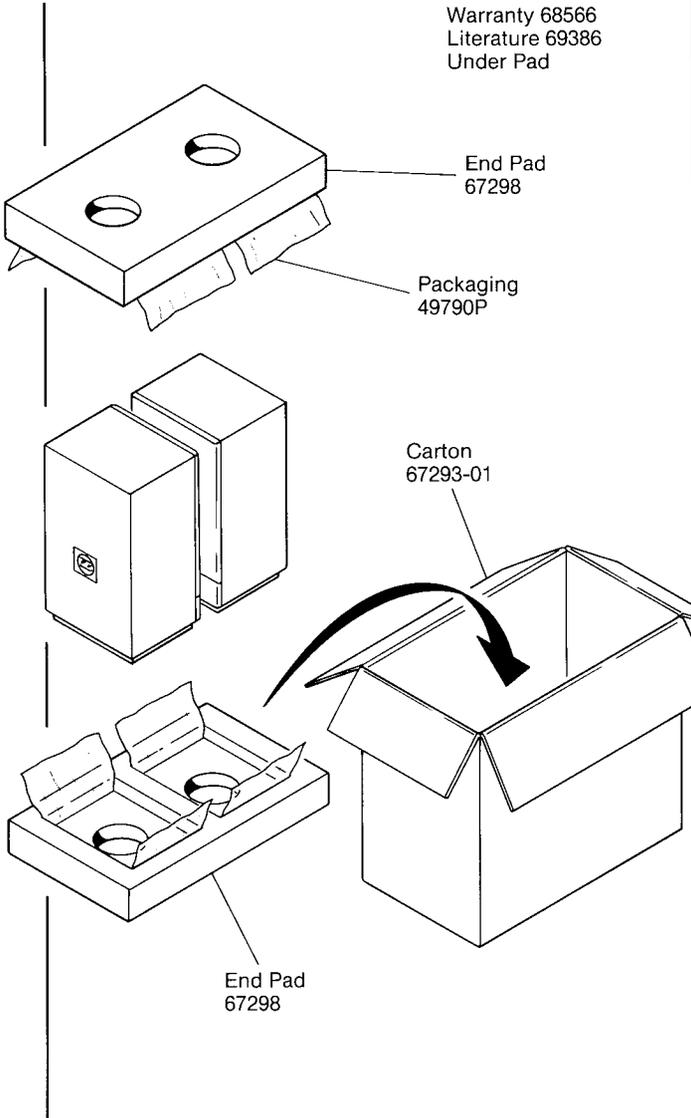
PHYSICAL SPECIFICATIONS:

- Enclosure Dimensions: 406mm x 254mm x 216mm D (16.0 x 10.0 x 8.5 in. D)
- Shipping Weight: 16 lbs.

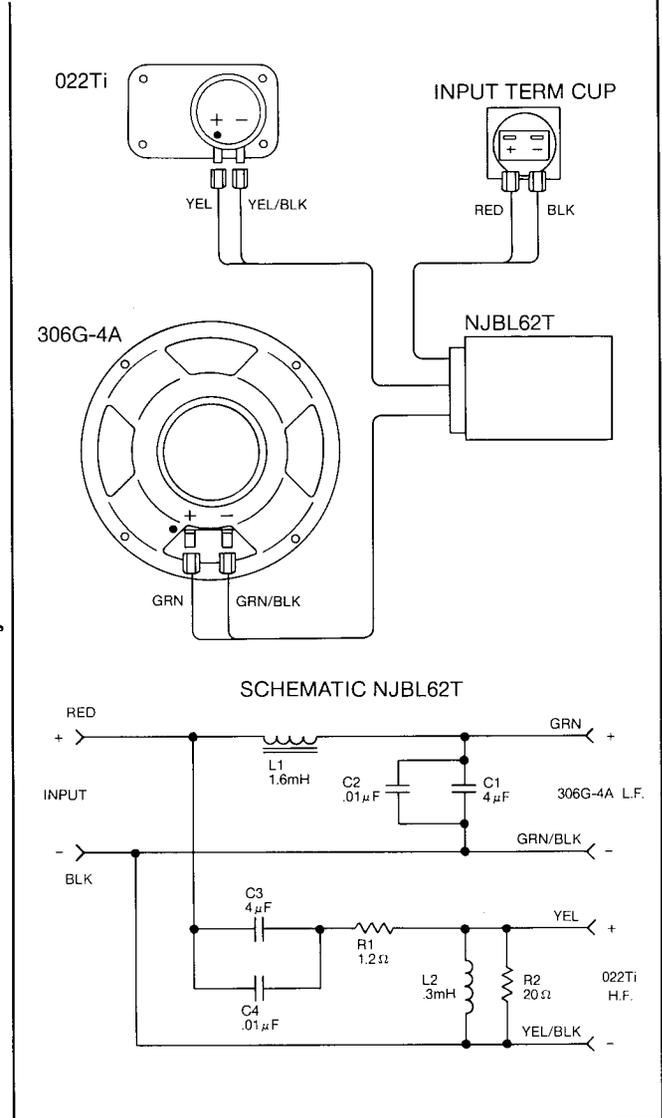
WARRANTY INFORMATION:

- Refer to the Warranty Statement packed with each product.

PACKAGE



WIRING DIAGRAM



DRIVER	TEST VOLTAGE	SWEEP FREQUENCY	DCR MIN-MAX.
022Ti	2	2KHZ-20KHZ	3.5-4.2 OHMS
306G-4A	4	200HZ-1.2KHZ	5.5-6.1 OHMS

JBL62T

COMPONENT EXPLODED VIEW

