

DRIVER	TEST VOLTAGE	SWEEP FREQUENCY	DCR MIN-MAX.
TLX-1	2.83	2KHZ-20KHZ	5.3-6.2 OHMS
308G-4	4	20HZ-1.2KHZ	5.6-6.2 OHMS

Technical Manual

JBL82



SPECIFICATIONS

ACOUSTIC & ELECTRICAL SPECIFICATIONS:

- Rated Impedance: 8 ohm
- Power Range: 10-125 Watts
- Frequency Response: 50 Hz to 20 kHz
- Sensitivity: 90 dB*
- Crossover Frequencies: 3 kHz

SYSTEM COMPONENTS:

- Cabinet: CJBL82
- Grille: GJBL82
- Low Frequency: 8" High Polymer Laminate Transducer

SYSTEM COMPONENTS: (cont'd)

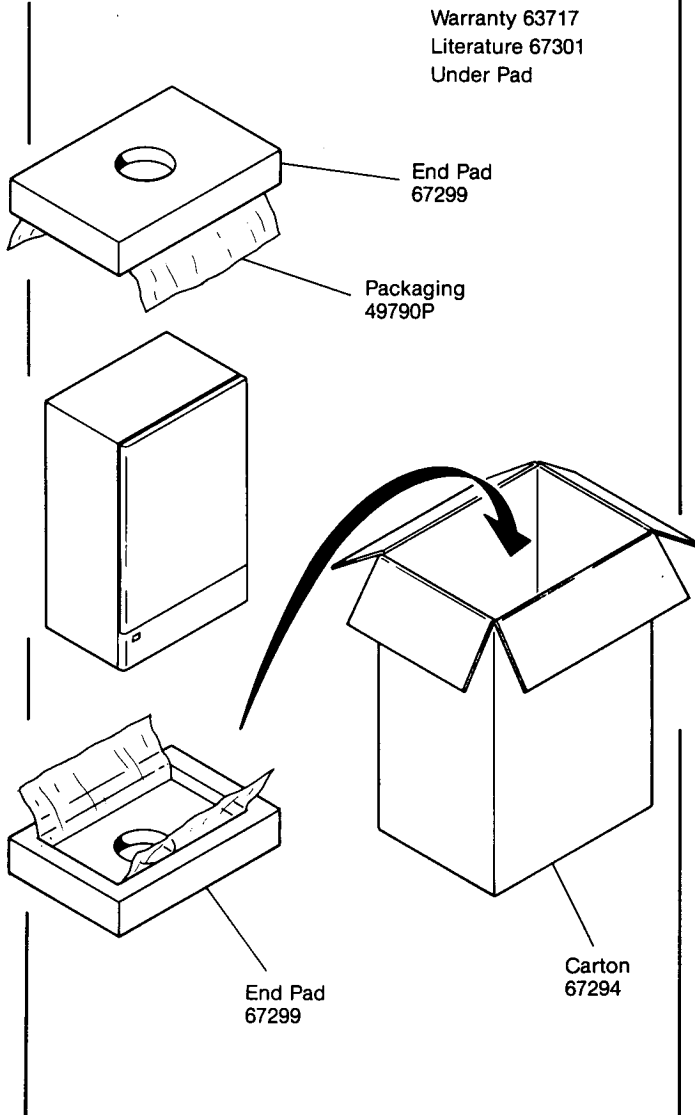
- High Frequency: 1" Transducer with Titanium Laminate Diaphragm
- Crossover Network: NJBL82, 2-Way System

PHYSICAL SPECIFICATIONS:

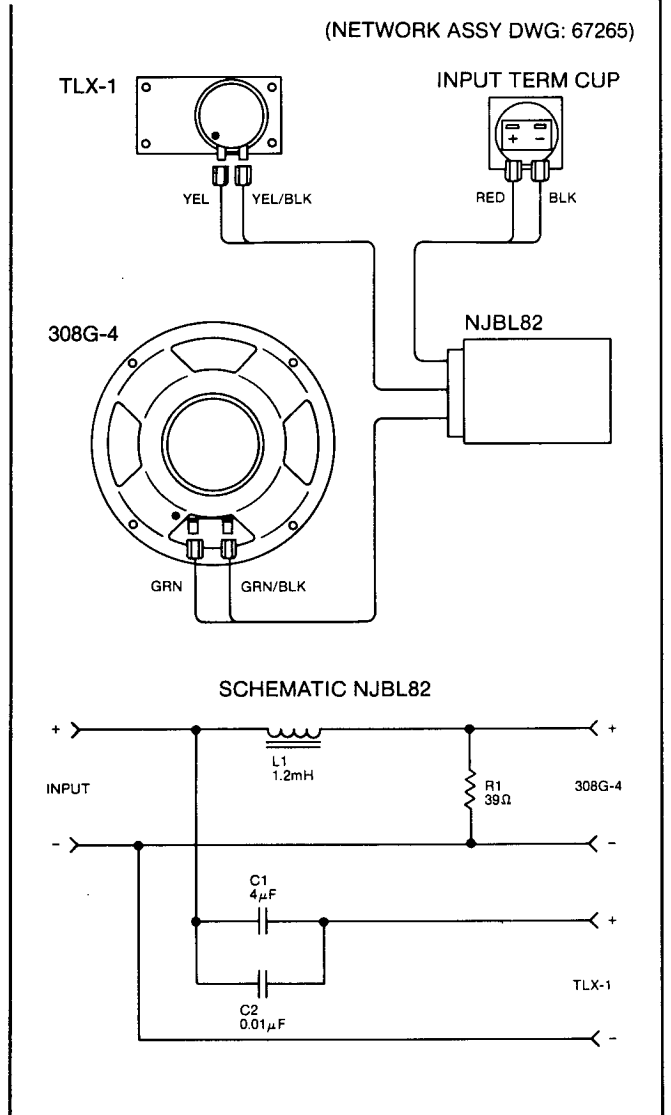
- Enclosure Dimensions: 22.0 x 14.0 x 8.0 D (inch)
- Shipping Weight: 30 lbs.

*1 Meter @ 2.83 VRMS

PACKAGE



WIRING DIAGRAM



COMPONENT EXPLODED VIEW

