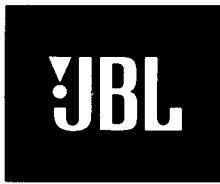


DRIVER	TEST VOLTAGE	SWEEP FREQUENCY	DCR MIN-MAX.
TLX-1	2.83	2KHZ-20KHZ	5.3-6.2 OHMS
308G-4	4	20HZ-1.2KHZ	5.6-6.2 OHMS

Technical Manual

JBL830



SPECIFICATIONS

ACOUSTIC & ELECTRICAL SPECIFICATIONS:

- Rated Impedance: 4 ohm
- Power Range: 10-200 Watts
- Frequency Response: 45 Hz to 20 kHz
- Sensitivity: 94 dB*
- Crossover Frequencies: 200 Hz, 2500 Hz

SYSTEM COMPONENTS:

- Cabinet: CJBL830
- Grille: GJBL830
- Low Frequency: Two 8" High Polymer Laminate Transducers

SYSTEM COMPONENTS: (cont'd)

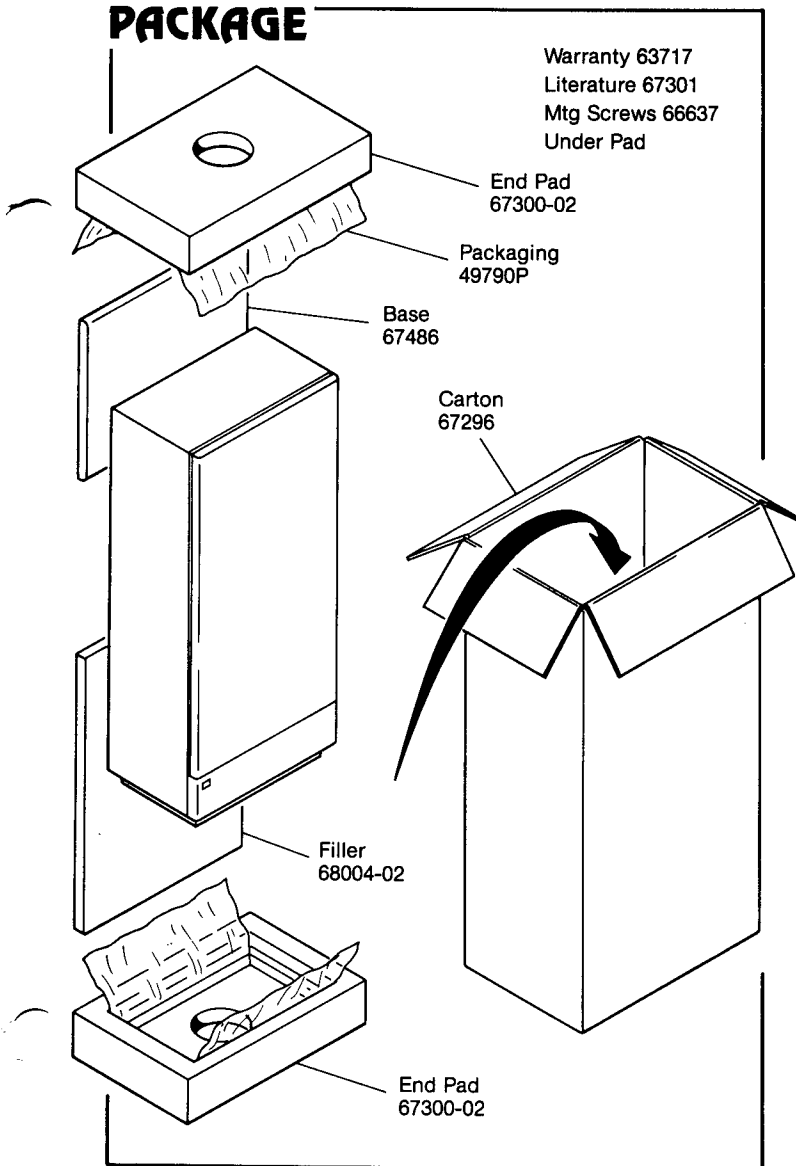
- High Frequency: 1" Transducer with Titanium Laminate Diaphragm
- Crossover Network: NJBL830, 3-Way System

PHYSICAL SPECIFICATIONS:

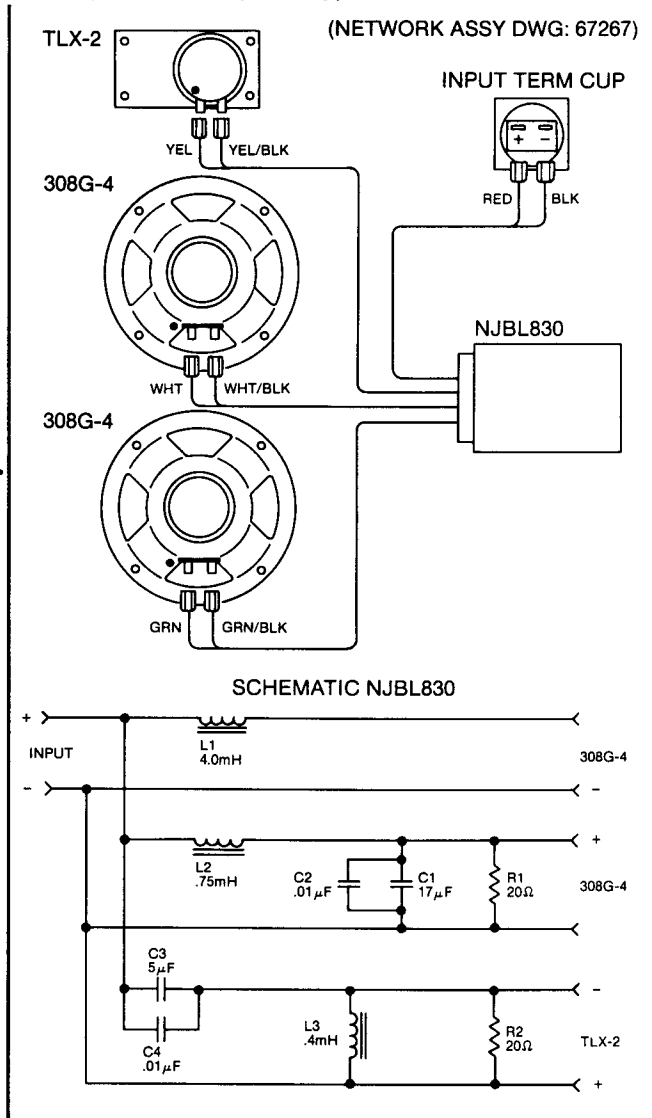
- Enclosure Dimensions: 38.0 x 16.75 x 8.5 D (inch)
- Shipping Weight: 53 lbs.

*1 Meter @ 2.83 VRMS

PACKAGE



WIRING DIAGRAM



COMPONENT EXPLODED VIEW

