

Technical Manual



JBL8306P2

SPECIFICATIONS

ACOUSTIC & ELECTRICAL SPECIFICATIONS:

- Nominal Impedance: 8 ohm
- Power Rating: Continuous Pink Noise: 50W
- Frequency Response: 50 Hz to 19 kHz
- Sensitivity: 90 dB SPL*
- Crossover Frequencies: 5.0 kHz

SYSTEM COMPONENTS:

- Cabinet: N/A
- Grille: G8306P2 (72479-01)
- Low Frequency Transducer: 165mm (6.5 in.) High Polymer Laminate (506G-1)
- DC Resistance: 4.5 ohm ±5% — Copper Wire

*1 Watt (2.83 V RMS) @ 1 Meter

SYSTEM COMPONENTS: (cont'd)

- High Frequency Transducer: 25mm (1 in.) Pure Titanium Dome (029Ti)
- DC Resistance: 3.5 to 4.2 ohm — Copper Wire
- Crossover Network: N8306P2, 2 Way System (70541-01)

AURAL SWEEP TEST SPECIFICATIONS:

- A. System Aural Sweep Test: 6.0V Input, 50 Hz to 20 kHz
- B. L.F. Aural Sweep Test: 4.0V Input, 50 Hz to 1.2 kHz
- C. H.F. Aural Sweep Test: 2.0V Input, 2.0 kHz to 20 kHz

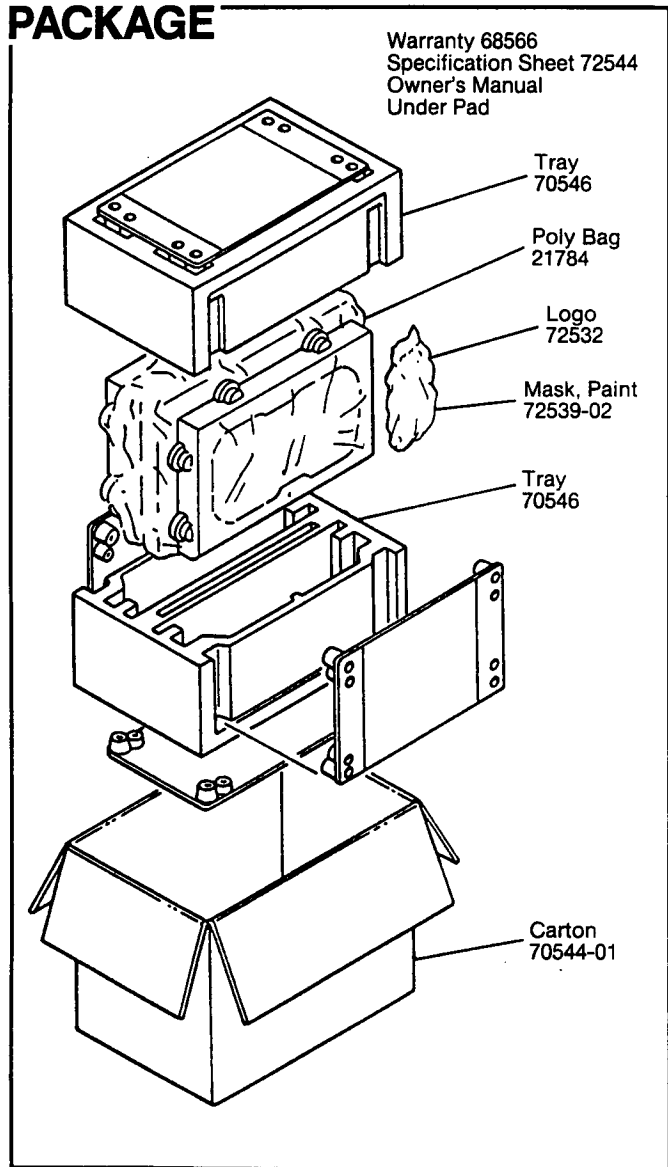
PHYSICAL SPECIFICATIONS:

- Enclosure Dimensions: N/A
- Shipping Weight: 12 lbs./Pair (5.4 kg)

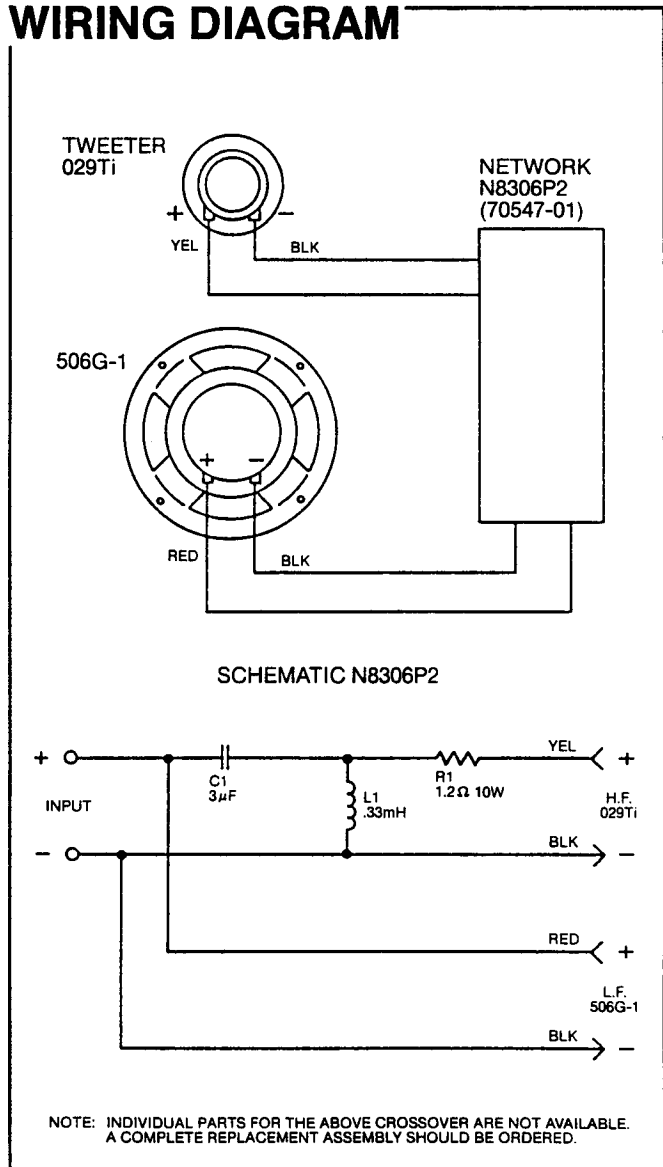
WARRANTY INFORMATION:

- Refer to the Warranty Statement packed with each product.

PACKAGE



WIRING DIAGRAM



JBL8306P2 REV B

JBL8306P2

COMPONENT EXPLODED VIEW

