

DRIVER	TEST VOLTAGE	SWEEP FREQUENCY	DCR MIN-MAX.
022Ti	2	2KHZ-20KHZ	3.5-4.2 OHMS
308G-4	4	20HZ-1.2KHZ	5.6-6.2 OHMS

Technical Manual



JBL830T

SPECIFICATIONS

ACOUSTIC & ELECTRICAL SPECIFICATIONS:

- Nominal Impedance: 4 ohm
- Power Rating: 10W to 200W
- Frequency Response: 55 Hz to 23 kHz
- Sensitivity: 93 dB SPL*
- Crossover Frequencies: 200 Hz to 2500 Hz

SYSTEM COMPONENTS:

- Cabinet: CJBL830T
- Grille: GJBL830T
- Low Frequency Transducer: 308G-4 (8.0 in.) 204mm (2) High Polymer

*1 Watt (2.83 V RMS) @ 1 Meter

SYSTEM COMPONENTS: (cont'd)

- High Frequency Transducer: 022Ti (1 in.) 25mm Pure Titanium Diaphragm
- Crossover Network: NJBL830T, 3-Way System

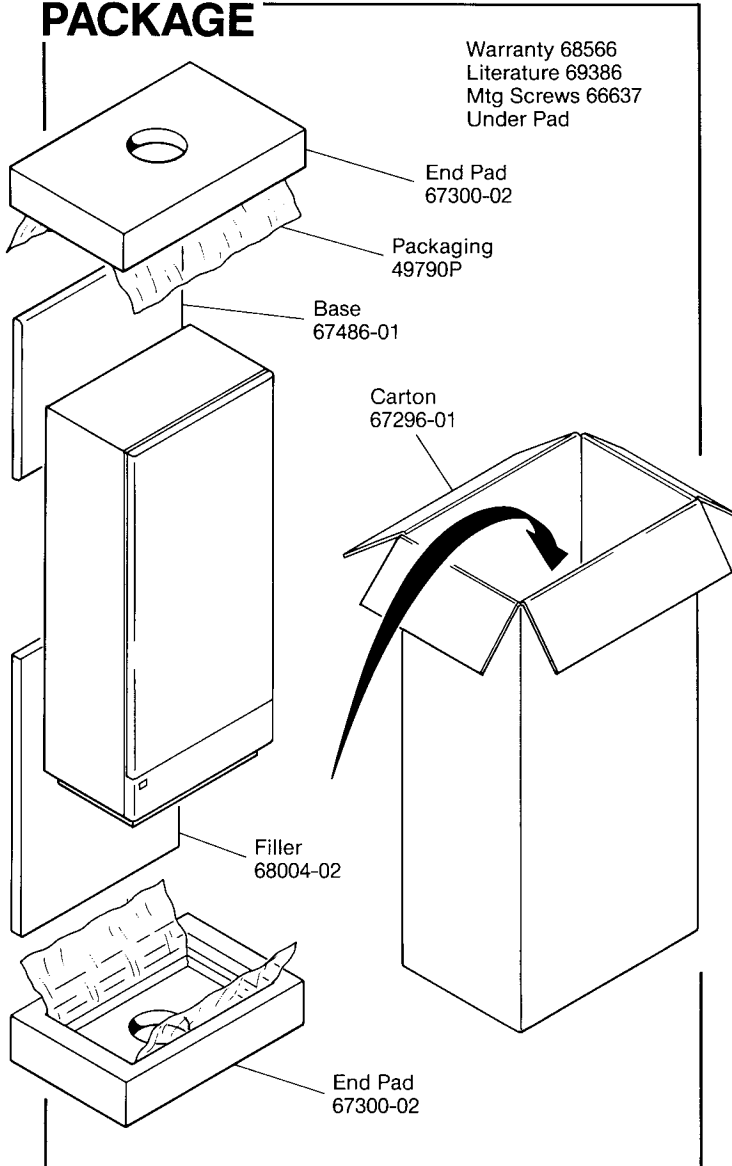
PHYSICAL SPECIFICATIONS:

- Enclosure Dimensions: 1010mm x 425mm x 235mm D (39.75 x 16.75 x 9.25 in. D)
- Shipping Weight: 53 lbs.

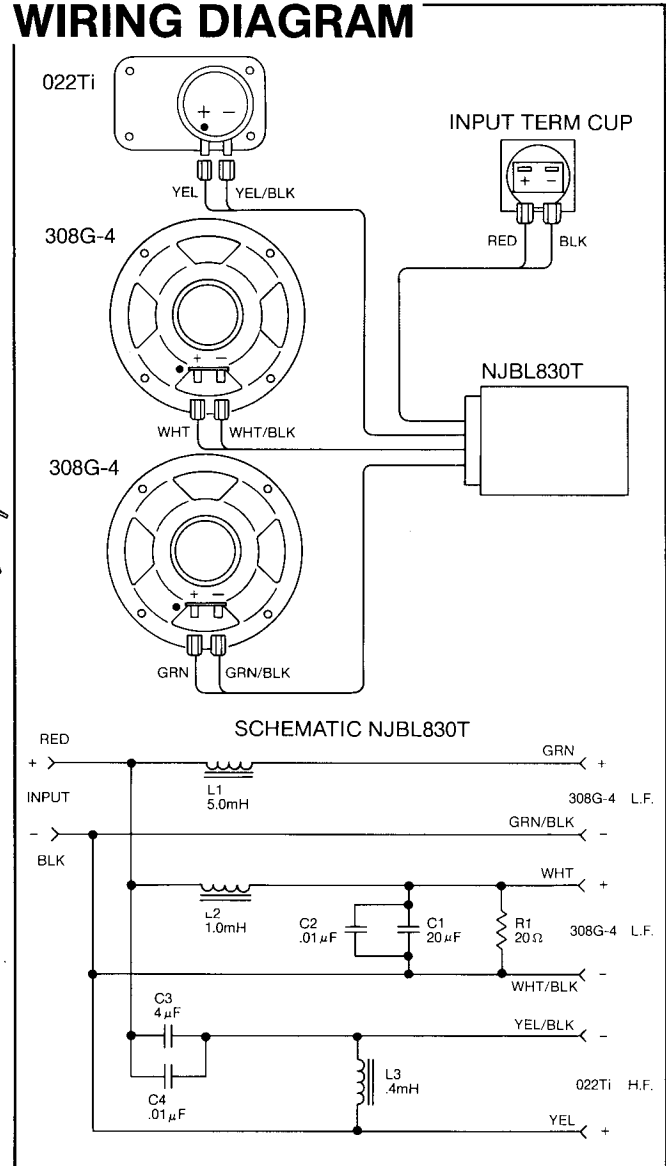
WARRANTY INFORMATION:

- Refer to the Warranty Statement packed with each product.

PACKAGE



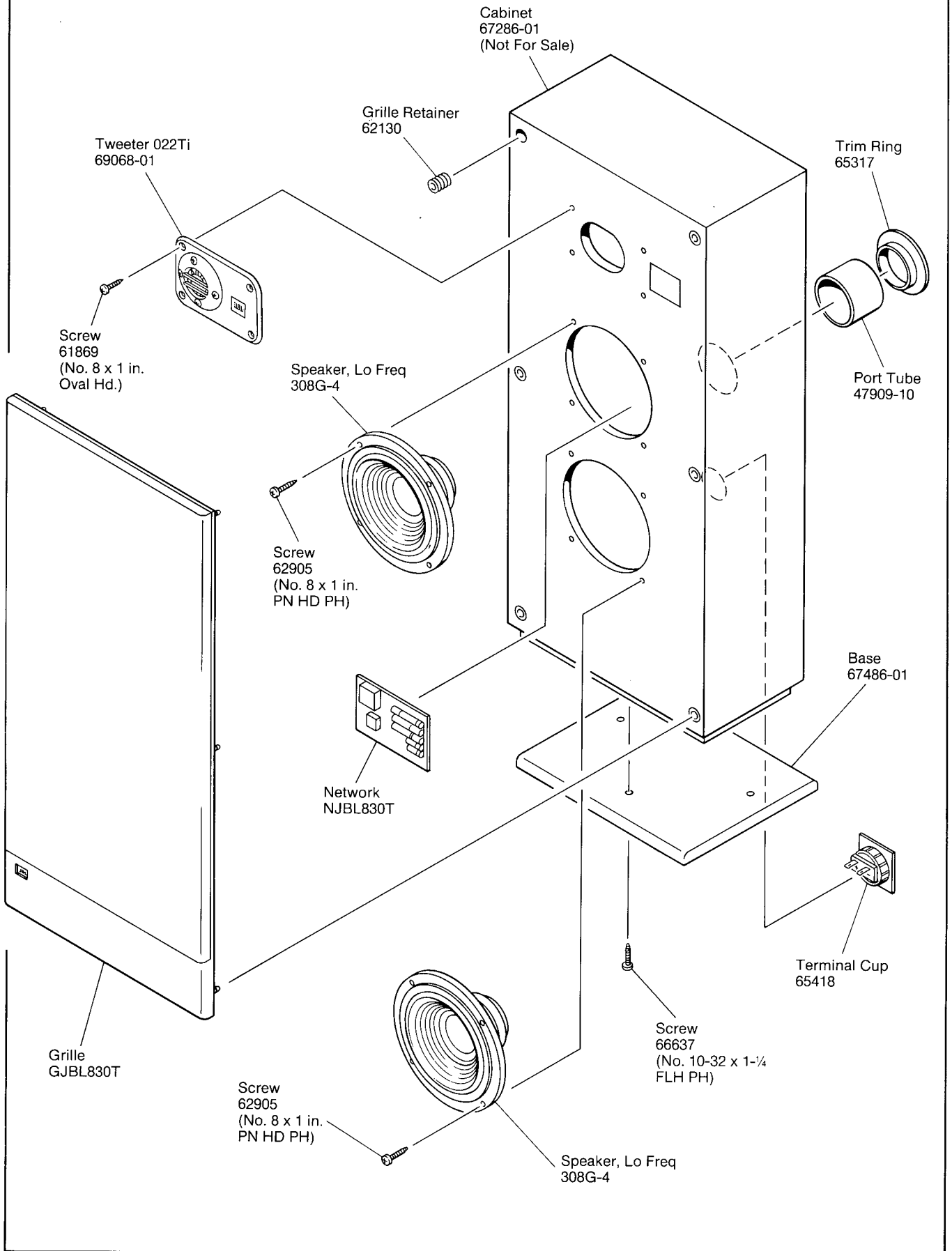
WIRING DIAGRAM



DRIVER	TEST VOLTAGE	SWEEP FREQUENCY	DCR MIN-MAX.
022Ti	2	2KHZ-20KHZ	3.5-4.2 OHMS
308G-4	4	20HZ-1.2KHZ	5.6-6.2 OHMS

JBL830T

COMPONENT EXPLODED VIEW



JBL830T